

Parts Catalog

AM9D-III Sweeper

Model: AM9D-LH



PREFACE

Thank you for your purchase of the new industry standard for sweepers. Minuteman International, Inc. takes great pride in offering the most dependable, reliable, and best value in industrial power sweepers and scrubbers. We set the standard.

Our Customer Service Department would like to hear from you. If you see any errors, omissions or something that needs clarification in this Parts Catalog, please let us know. We are working hard towards continually improving our processes--to benefit you, our valued customer.

Please copy the form below, fill out and comment on how you found our manual.

Thank you!

The PowerBoss® Team

Name _____

Title: _____

Company Name: _____

Address: _____

Country: _____

Type of equipment or model number: _____

Comments: _____

Please return to:

Customer Service Manager
PowerBoss®, Minuteman International, Inc.
14N845 U.S. Route 20
Pingree Grove, Illinois 60140 USA

Phone: 800-323-9420

Email: tech@powerboss.com

This is the Parts Catalog for the PowerBoss® AM9D-III LH Sweeper.
We believe this machine will provide excellent service for many years.

However, the best results will be obtained if:

- The machine is operated with reasonable care.
- The machine is maintained regularly per the maintenance schedule provided in the User Manual.
- The machine is maintained with PowerBoss® supplied or equivalent parts.

All right side and left side references to the machine (except for engine) are determined by facing the direction of forward travel. The front of the engine or engine fan faces the rear of the machine. Some hardware considered to be common or locally available has been omitted from the parts section to make this manual clear. Be sure to use equivalent hardware when replacement becomes necessary.

The Model and Serial Number of your machine is shown on the I.D. name plate. This information is needed when contacting Technical Support or when ordering parts. The I.D. plate is mounted on the console of the machine, left of the operator and adjacent the main broom adjustment access door.

Parts may be ordered by phone, fax, or email from any PowerBoss® parts and service center. Before ordering parts or supplies, be sure to have your machine model number and serial number handy. For your convenience Fill out the data block on the next page for future reference.

Example I.D Plate:



| | |
|--------------------------|-------|
| MACHINE DATA | |
| Fill out at installation | |
| Serial Number: | _____ |
| Engine Serial Number: | _____ |
| Sales Rep.: | _____ |
| Date of Install: | _____ |

All information contained in this catalog is current at the time of printing. Minuteman International, Inc. reserves the right to make changes at any time without notice.

PowerBoss®, Minuteman International, Inc., Printed in USA ©2014-2015.

STANDARD ABBREVIATIONS

| | |
|-------------------------------|---|
| °C-Degrees Celsius | INFO-Information |
| °F-Degrees Fahrenheit | INT-Internal or Interior |
| 12V-12 Volts DC | LG-Long |
| AR-Abrasion Resistant | LH-Left Hand |
| ASSY-Assembly | LPG-Liquefied Petroleum Gas |
| ATO-Standard Auto Fuse Type | LP-Liquefied Petroleum |
| Also called ATC | M8x1-Indicates Metric threads, 8mm Dia with a 1mm thread pitch |
| BHSCS-Button Head Screw SS | MM-Millimeters |
| BLK-Black | MNT-Mount |
| BLT-Belt | MS-Mid Size |
| BR-Brass or Broom or Brush | OD-Outside Diameter |
| BRM-Broom | PLTD-Plated |
| BRKT-Bracket | REV-Reverse |
| CB-Curb Broom | RH-Right Hand |
| CCW-Counter Clockwise | ROT-Rotation |
| CI-Cubic Inch | RTR-Rotary Trash Relocator |
| CW-Clockwise Rotation | SCR-Screw |
| CYL-Cylinder | SC-Scrubber |
| DEG-Degrees | SP-Service Part |
| DIA-Diameter | SPDT-Single Pole Double Throw |
| DPDT-Double Pole Double Throw | SPST-Single Pole Single Throw |
| ELEC-Electric | SS-Stainless Steel |
| ES-Elastic Stop, also Nyloc | STR-Straight |
| EXT-Exterior or Extended | ST-Straight |
| FI-Fuel Injection | SUB-Sub Assembly |
| FS-Full Size | THD-Thread |
| FTG-Fitting | THK-Thick |
| FWD-Forward | THRU-Through |
| REV-Reverse | UNC-Unified Nat'l Coarse Threads |
| GAL-US Gallon (3.79 Liters) | UNF-Unified Nat'l Fine Threads |
| GOV-Governor | V1505-Kubota Diesel Engine |
| HD-Head | W/-With |
| HD-Heavy Duty | WELD-Weldment |
| HOP-Hopper | W/O-Without |
| HSS-High Speed Steel | SP-Zinc Plated |
| HT-High Temperature | |
| HT-Height | |
| HYD-Hydraulic | |
| ID-Identification | |
| ID-Inside Diameter | |
| IMP-Impeller | |

TABLE OF CONTENTS

| | |
|--|----|
| PREFACE | 2 |
| TECHNICAL SPECIFICATIONS | |
| DIMENSIONS & WEIGHT | 4 |
| SWEEPING SYSTEM | 4 |
| STANDARD ABBREVIATIONS | 5 |
| EXPLODED DRAWINGS AND PARTS LISTS | |
| FRAME ASSEMBLY AM9D-III | 10 |
| HYDRAULIC BRAKE ASSEMBLY | 12 |
| HYDRAULIC BRAKE ASSEMBLY - CONTINUED | 14 |
| BRAKE - 8" ARMA L/H PN-3321450 | 16 |
| BRAKE - 8" ARMA R/H PN-3321471 | 16 |
| LH PARKING BRAKE GROUP | 18 |
| DIRECTIONAL LIGHTING, FOUR WAY FLASHERS, AND REAR MIRRORS | 20 |
| STEERING WHEEL, GAUGES & FUSES | 22 |
| STEERING COLUMN | 24 |
| SIDE BROOM ASSEMBLY - DRIVE MOTOR, ARM, AND MOUNTING (PAGE 1 OF 2) | 26 |
| SIDE BROOM ASSEMBLY - DRIVE MOTOR, ARM, AND MOUNTING (PAGE 2 OF 2) | 28 |
| SIDE BROOM ASSEMBLY - ADJUSTMENT COMPONENTS | 30 |
| ENGINE COVER, SIDE DOOR, LATCH & REAR GRILL | 32 |
| REAR DRIVE ASSEMBLY | 34 |
| DIRECTIONAL CONTROL LINKAGE ASSEMBLY | 36 |
| CONSOLE ASSEMBLY | 38 |
| SEAT, FLOOR PAN & TAIL LIGHT | 40 |
| LIFT & ROTATION CYLINDERS, HYDRAULIC HOSES | 42 |
| RTR SWITCH DETAIL LIFT ARM | 44 |
| HOPPER - FILTER AND SHAKER MOTOR COMPONENTS | 46 |
| HOPPER - COVER AND LATCH COMPONENTS | 48 |
| FRONT BUMPER ASSEMBLY | 50 |
| BATTERY COMPONENTS | 51 |
| ENGINE PAN, HYDRAULIC HOSE RETAINER & LATCH | 52 |
| FUEL TANK GASOLINE AND DIESEL | 54 |
| HYDRAULIC RESERVOIR ASSEMBLY | 56 |
| HYDRAULIC CONTROL VALVE DETAIL | 58 |
| IMPELLER ASSEMBLY | 60 |

| | |
|--|-----|
| MAIN BROOM ASSEMBLY | 62 |
| SIDE BROOM & MAIN BROOM | 64 |
| VACUUM SWITCH | 66 |
| TIMER-FILTER SHAKER SEALED | 67 |
| GASKET MOUNT ASSEMBLY | 68 |
| TURBO PRE-CLEANER GROUP | 70 |
| ENGINE AIR CLEANER ASSEMBLY | 72 |
| ENGINE KUBOTA V1505 DIESEL - FUSE BOX DETAILS | 74 |
| ENGINE KUBOTA V1505 DIESEL - ALTERNATOR, WATER PUMP, FAN, AND OIL PAN | 76 |
| ENGINE KUBOTA V1505 DIESEL - FLYWHEEL, STARTER, HEAD COVER, AND MANIFOLD | 78 |
| ENGINE KUBOTA V1505 DIESEL - FUEL SYSTEM AND SPEED CONTROL | 80 |
| ENGINE KUBOTA V1505 DIESEL - MOTOR MOUNTING | 82 |
| ENGINE KUBOTA V1505 DIESEL - EXHAUST DETAIL | 84 |
| ENGINE KUBOTA V1505 DIESEL - RADIATOR DETAIL | 86 |
| ENGINE KUBOTA V1505 DIESEL - RADIATOR COOLANT TANK & MOUNT | 88 |
| ENGINE KUBOTA V1505 DIESEL - RADIATOR ASSEMBLY & MOUNTING BRACKETS | 90 |
| ENGINE KUBOTA V1505 DIESEL - RADIATOR ASSEMBLY, CLAMPS, HOSES & SENDERS | 92 |
| ENGINE KUBOTA V1505 DIESEL - LH PUMP CENTERING GROUP 690485 | 94 |
| HYDRAULIC AUXILIARY PUMP AND FITTINGS | 96 |
| OPTIONS | |
| OPT - SUSPENSION SEAT (600005) | 98 |
| OPT - TIRES PNEUMATIC WITH WELDED NUTS (660075) | 99 |
| OPT - RAISE HOPPER, MAIN BROOM SHUT OFF (690100) | 100 |
| OPT - KEY LATCH 9X (690102) | 104 |
| OPT - SEAT SWITCH ENGINE SHUT OFF (690147) | 105 |
| OPT - HOPPER PRESSURE BYPASS (690231) | 106 |
| OPT - AIR CONDITIONING UNIT RISER (690317) | 108 |
| OPT - AIR CONDITIONING, DSL (3316990) | 111 |
| OPT - SPOTLIGHT, CURB BROOM (3316152) | 112 |
| OPT - LIGHT, AMBER, LED, OVERHEAD GUARD (690444) | 113 |
| OPT - LIGHT, AMBER, LED, ENGINE COVER (690444-1) | 114 |
| OPT - LIGHT, AMBER, LED, CAB (690444-3) | 115 |
| OPT - OVERHEAD GUARD (3317260) | 116 |
| OPT - FAN/DEFROSTER (3317266) | 117 |
| OPT - HEATER (690087) | 118 |
| OPT - FIRE EXTINGUISHER (3317268) | 120 |

OPT - HD CURB BROOM, RIGHT (3317302) 121

OPT - HD CURB BROOM, LEFT (3330752)..... 122

OPT - BACKUP ALARM & NEUTRAL SAFETY SWITCH (3317306)..... 123

OPT - POWERFLEX (3322125) 124

OPT - AIR CLEANER, HEAVY DUTY (3331034) 126

OPT - AIR CLEANER, EXTERNAL AUX OVERHEAD GUARD (3331338) 128

OPT - EXTREME ENVIRONMENT DUST COVER (3334437) 130

OPT - VACUUMIZED SIDE BROOM (3338470) 132

OPT - DUAL SIDE BROOM (690751)..... 134

 ASSY- ACTUATOR RH 9X (690768) 137

 BROOM ASSEMBLY, DSB LH 9X RIGHT SIDE (690769) 140

HYDRAULIC SCHEMATIC AM9D-III 142

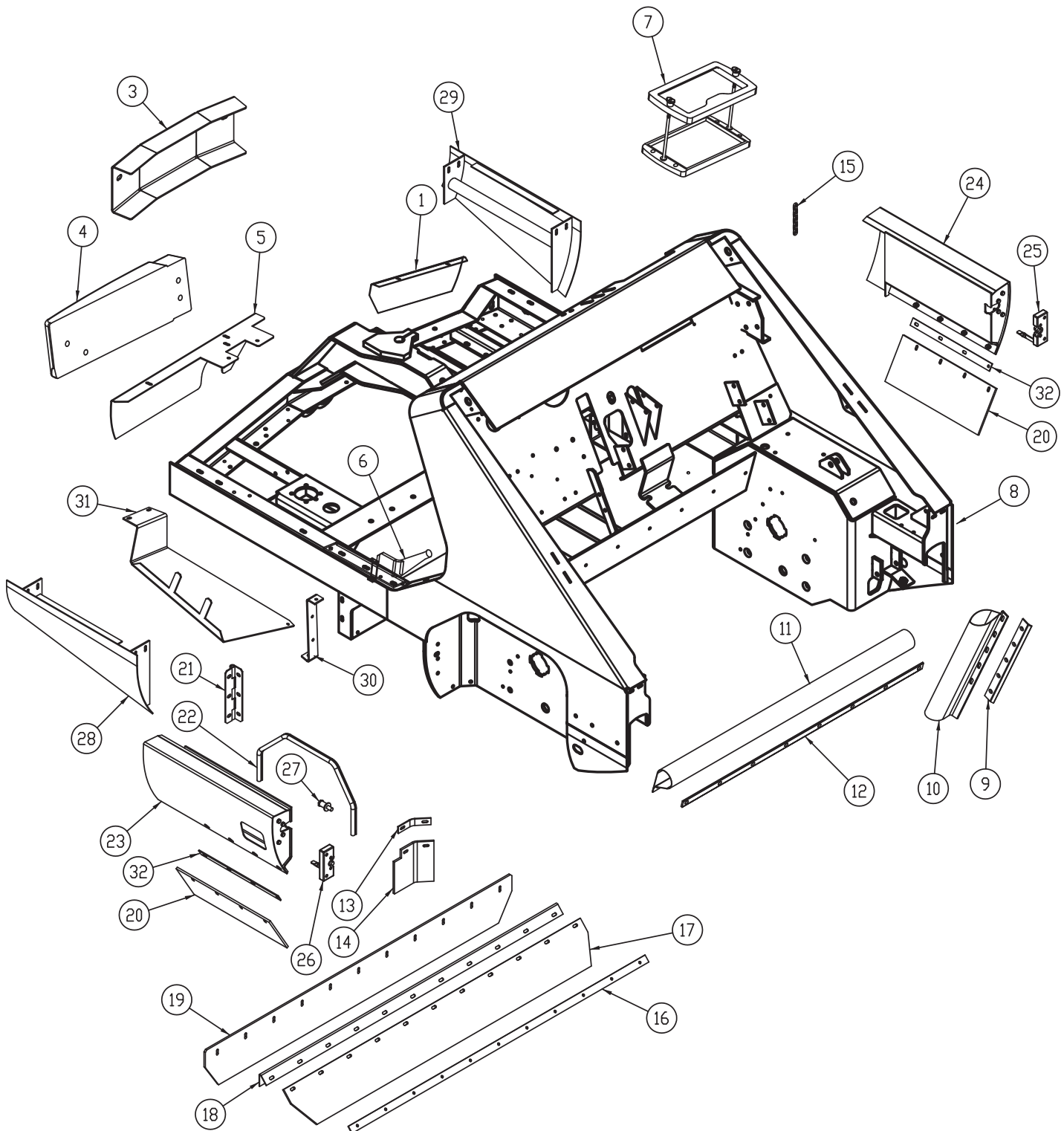
ELECTRICAL SCHEMATIC WITH KUBOTA V1505 145

WARRANTY

WARRANTY..... 150

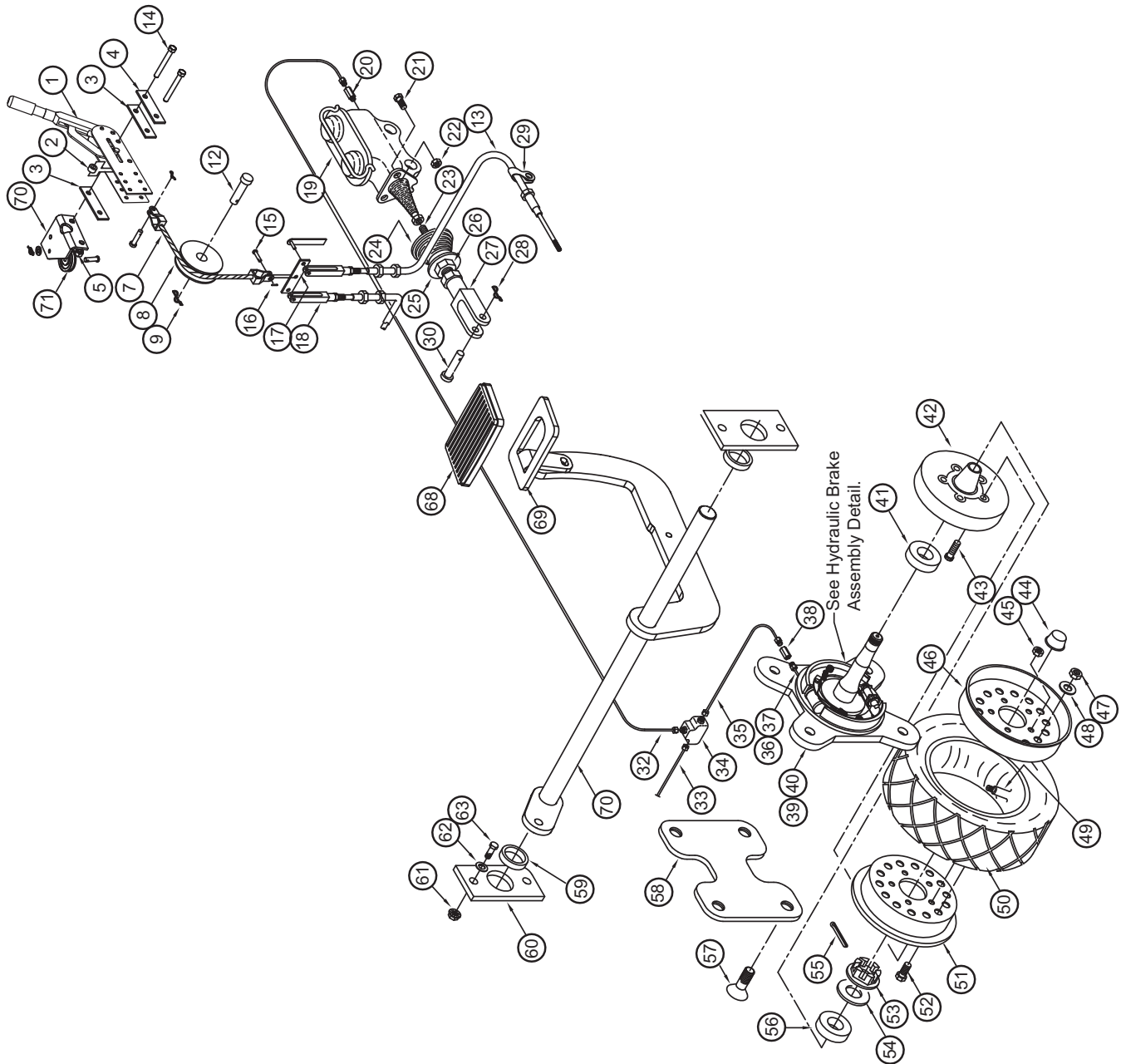
EXPLODED DRAWINGS AND PARTS LISTS

FRAME ASSEMBLY AM9D-III



| FRAME ASSEMBLY AM9D | | | |
|----------------------------|-----------------|--------------|------------------------------------|
| ITEM | PART NO. | REQ'D | DESCRIPTION |
| 1 | 3332182MLH | 1 | SKIRT-RT REAR AM9D, DARK GRAY, LH |
| 3 | 3332147P | 1 | COVER-COUNTER WEIGHT CENTER |
| 4 | 3301046P | 2 | COUNTERWEIGHT-LH PAINTED |
| 5 | 690413 | 1 | SKIRT-LH REAR, AM9D, DARK GRAY, LH |
| 6 | 3317117LH | 1 | ASSY- ENGINE LOCK, LH |
| 6A | 3309740LH | 1 | MNT-ENG LOCK, LH |
| 6B | 3301522 | 1 | SPRING-EXT BRAKE ARM |
| 6C | 3309743LH | 1 | ARM-ENG LOCK, LH |
| 6D | 430119 | 1 | RUBBER CAP 1/2 ID |
| 7 | 690250 | 1 | TRAY- BATTERY, 24 SERIES |
| 8 | 3335310MLH | 1 | WELD-FRAME, TIER 2, LH |
| 9 | 3315203 | 2 | RETAINER-HOPPER SIDE SEAL |
| 10 | 3318143 | 2 | FLAP-RUBBER HOPPER/FRAME SIDE |
| 11 | 3307276 | 1 | SEAL-FRAME HOPPER HORIZONTAL |
| 12 | 3307281 | 1 | STRAP-FRAME HOP FLAP PAINTED |
| 13 | 3307287 | 2 | STRAP-BROOM CORNER FLAP PAINTED |
| 14 | 3307286 | 2 | FLAP-BROOM CHAMBER CORNER |
| 15 | 3307658 | 1 | CHAIN-FRAME GROUNDING |
| 16 | 3307283 | 1 | STRAP-REAR FEED FLAP PAINTED |
| 17 | 3307279 | 1 | FLAP-REAR FEED |
| 18 | 3307282 | 1 | ANGLE-REAR FLAP PAINTED |
| 19 | 3307278 | 1 | FLAP-REAR HOPPER |
| 20 | 3307280 | 2 | FLAP-MAIN BROOM DOOR |
| 21 | 3307275 | 2 | HINGE-BROOM DOOR |
| 22 | 3318739 | 2X 3.0' | WEATHERSTRIPPING-RUBBER SPONGE |
| 23 | 3307265M | 1 | ASSY- BROOM DOOR RH |
| 24 | 3307266M | 1 | ASSY- BROOM DOOR LH |
| 25 | 3307246 | 1 | LATCH-LH BROOM DOOR |
| 26 | 3307247 | 1 | LATCH-RH BROOM DOOR |
| 27 | 3307248 | 2 | BOLT-STRIKER BROOM DOOR LATCH |
| 28 | 3307519M | 1 | SKIRT-RH SIDE |
| 29 | 3307520M | 1 | SKIRT-LH SIDE |
| 30 | 3307792 | 1 | BAR-HOSE PAN SUPPORT |
| 31 | 3307791LH | 1 | PAN-HOSE, LH |
| 32 | 3307284 | 2 | STRAP - BROOM DOOR FLAP |

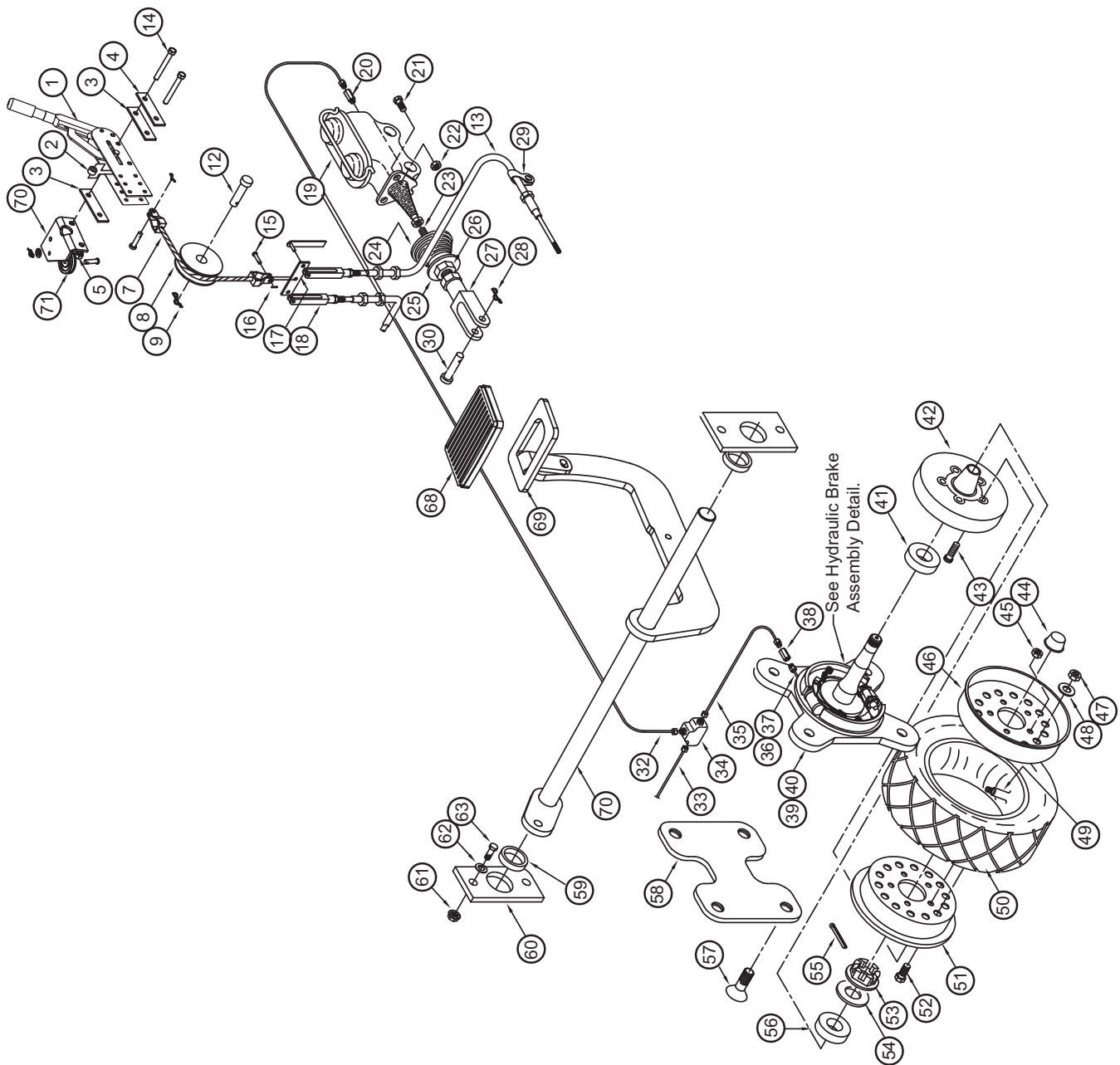
HYDRAULIC BRAKE ASSEMBLY



| HYDRAULIC BRAKE ASSEMBLY | | | |
|---------------------------------|-----------------|--------------|---|
| ITEM | PART NO. | REQ'D | DESCRIPTION |
| 1 | 3303169 | 1 | LEVER-HAND BRAKE |
| 2 | 3307241 | 2 | SPACER-HAND BRAKE ZP SW/A |
| 3 | 3307273 | 2 | BAR-HAND BRAKE SPACER, ZP SW/A |
| 4 | 3307895 | 1 | SPACER-THIN HAND BRAKE, ZP |
| 5 | 711380 | 2 | NUT-NYLOC 3/8-16 |
| 7 | 690501 | 1 | ASSEMBLY, BRAKE CABLE, LH |
| 8 | 3300367 | 1 | PULLEY-2.50 DIA, BUSHED, BRAKE |
| 9 | 3400125 | 1 | PIN-COTTER 3/8 RUE-RING |
| 12 | 730875 | 1 | PIN-CLEVIS 1/2 X 2.50 ZP |
| 13 | 3321452 | 2 | CABLE-8" PARKING BRAKE (HAND) |
| 14 | 3400473 | 2 | SCR-HEX,3/8-16x3.00 ZP F'THD |
| 15 | 3400118 | 1 | PIN-CLEVIS 5/16x7/8 ZP |
| 16 | 3400125 | 1 | PIN-COTTER 3/8 RUE-RING |
| 17 | 3307232 | 1 | BAR-BRAKE EQUALIZER ZP SW/A |
| 18 | 3321470 | 2 | CLEVIS-BRAKE 8MM |
| 19 | 3316717 | 1 | CYLINDER-BRAKE MASTER, ARMA |
| 20 | 3307638 | 1 | FTG-REDUCER NAPA #7909 |
| 21 | 3400028 | 3 | SCR-HEX,3/8-16x1.50 ZP |
| 22 | 711380 | 4 | NUT-HEX 3/8-16 ES ZP |
| 23 | 3307235 | 1 | ROD-BRAKE MASTER CYLINDER, ZP |
| 24 | 3313109 | 1 | SPRING-PEDAL RETURN |
| 25 | 3400278 | 4 | WASHER-FENDER 3/8 |
| 26 | 3400075 | 2 | NUT-HEX JAM 3/8-24 ZP |
| 27 | 3301447 | 1 | CLEVIS-CABLECRAFT AC-218 |
| 28 | 3400125 | 1 | PIN-COTTER 3/8 RUE-RING |
| 29 | 3332271 | 1 | CLAMP-3/8 DIA INSULATED HALF (STRAP) |
| 30 | 3400117 | 1 | PIN-CLEVIS 3/8x1-1/8, ZP |
| 31 | 690407 | 1 | WELDMENT - BRAKE BAR, HYD., LH |
| 32 | 3307637-1 | 1 | ASSEMBLY-BRAKE LINE CENTER SW/A |
| 33 | 3321457 | 1 | BRAKE LINE-ARMA RH LONG |
| 34 | 3306307 | 1 | FTG-TEE HYD BRAKE |
| 35 | 3321459 | 1 | BRAKE LINE-ARMA LH LONG |
| 36 | 3321455 | 1 | BRAKE LINE-ARMA LH, SHORT |
| 37 | 3321456 | 1 | BRAKE LINE-ARMA RH, SHORT |
| 38 | 3400969 | 1 | FTG-COUPLING, 3/16" OD HYD BRAKE, BRASS |
| 39 | 3321450 | 1 | ASSEMBLY-8" HYDRAULIC BRAKE LH |

Continued On Next Page

HYDRAULIC BRAKE ASSEMBLY - CONTINUED

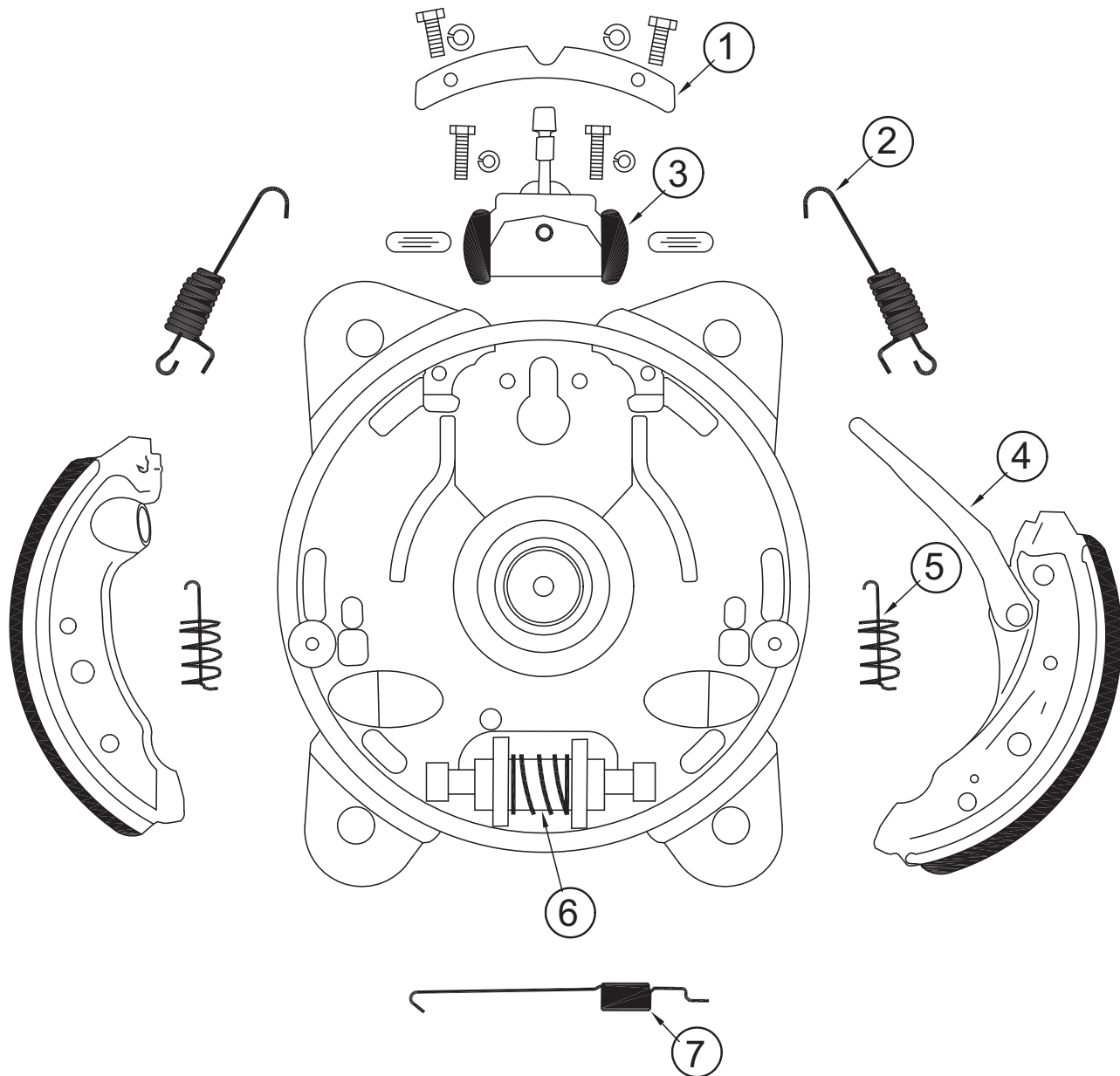


| HYDRAULIC BRAKE ASSEMBLY (CONT'D) | | | |
|--|-----------------|--------------|---------------------------------|
| ITEM | PART NO. | REQ'D | DESCRIPTION |
| 40 | 3321471 | 1 | ASSEMBLY-8" HYDRAULIC BRAKE RH |
| 41 | 3307238 | 1 | BEARING-INNER WHEEL SW/A |
| 42 | 3332483 | 1 | BRAKE-DRUM 8" ARMA PAINTED |
| 43 | 3307242 | 10 | STUD-WHEEL, 1/2-20x1.75 LG |
| 44 | 3300369 | 1 | CAP-HUB, 2.44" DIA, ZP |
| 45 | 3300411 | 5 | NUT-WHEEL LUG, 1/2-20 UNF |
| 46 | 3307255 | 1 | RIM-FRONT OUTER SW/A PNTD |
| 48 | 3400099 | 10 | WASHER-LOCK 7/16 SPLIT ZP |
| 49 | 3307253 | 2 | TUBE-TIRE INNER, 650x10 |
| 50 | 3307252 | 2 | TIRE-PNEUMATIC 650x10 |
| 51 | 3307254 | 1 | RIM-FRONT INNER SW/A PNTD |
| 52 | 3400022 | 10 | SCR-HEX, 1/2-13X1.25 GR 5 ZP |
| 53 | 3400076 | 1 | NUT-HEX JAM SLOTTED, 1-14 ZP |
| 54 | 3307352 | 1 | WASHER-1.016 IDx1.50 ODx.25 THK |
| 55 | 3400120 | 1 | PIN-COTTER 5/32 DIAx2.00 LG, ZP |
| 56 | 3300467 | 1 | BEARING-BALL 2.44 ODx1.18 ID |
| 57 | 710009 | 4 | SCR-FHSCS 5/8-18 X 1.25 |
| 58 | 3321453 | 1 | PLT-8" BRAKE MOUNT RH&LH |
| 59 | 3307220 | 2 | BEARING-.88IDx1.00ODx.50LG |
| 60 | 3307233 | 2 | MOUNT-.88 DIA BEARING, ZP SW/A |
| 61 | 711439 | 1 | NUT-FLANGED WIZZ 3/8-16 |
| 62 | 3400385 | 1 | WASHER-CONICAL SPRING 3/8 |
| 63 | 711250 | 1 | BLT-HH 3/8-16 X 1.25 STL ZINC |
| 68 | 3300413 | 1 | PAD-RUBBER BRAKE PEDAL |
| 69 | 3337386 | 1 | PLT - BRAKE PEDAL |
| 70 | 3307861LH | 1 | PULLEY MOUNT #3, LH |
| 71 | 3300368 | 1 | PULLEY-PLASTIC 2" x .25" GROOVE |

End of Section

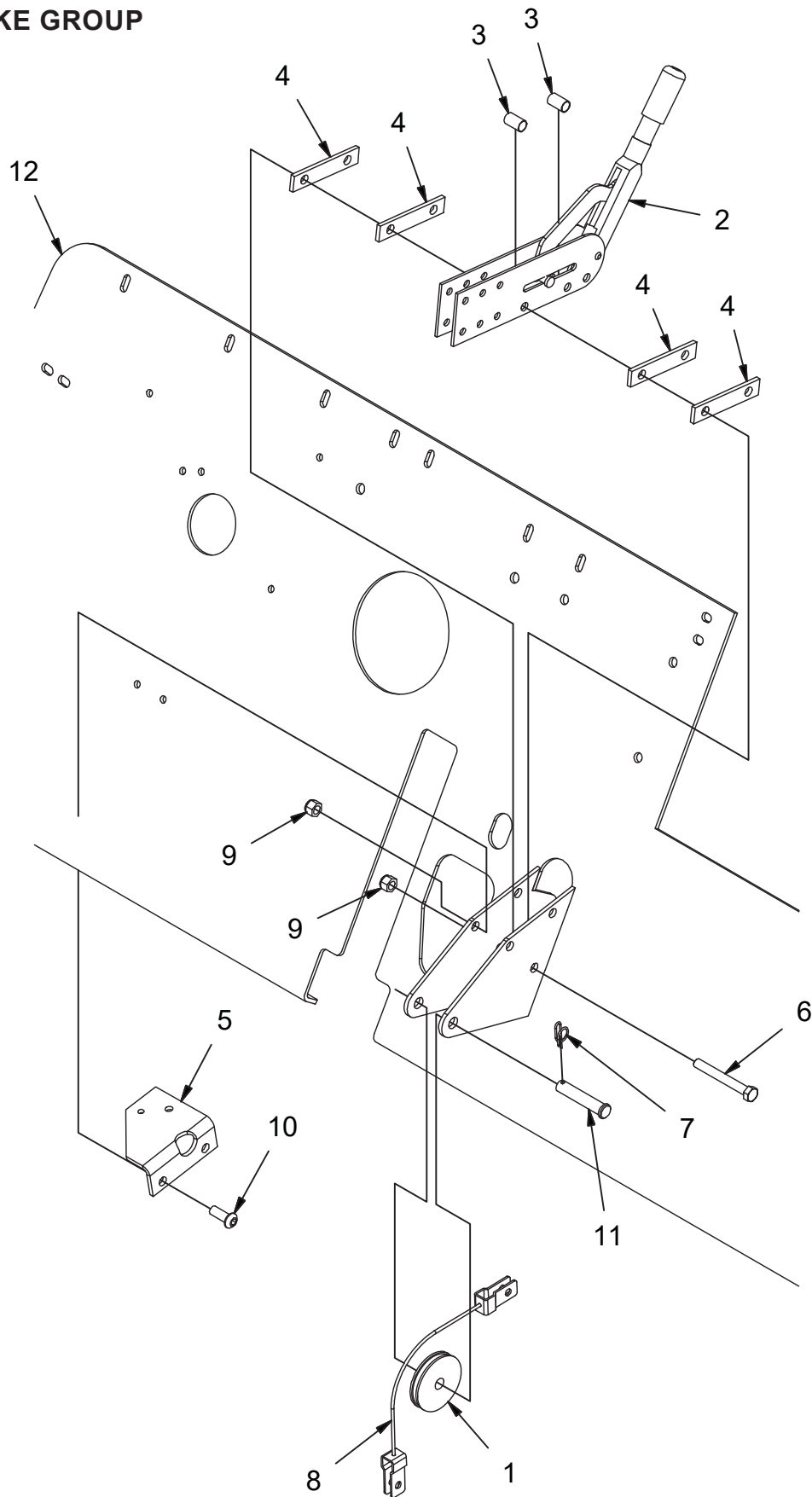
BRAKE - 8" ARMA L/H PN-3321450

BRAKE - 8" ARMA R/H PN-3321471



| BRAKE - 8" ARMA L/H PN-3321450 BRAKE - 8" ARMA R/H PN-3321471 | | | |
|--|-----------------|--------------|-----------------------------------|
| ITEM | PART NO. | REQ'D | DESCRIPTION |
| 1 | 3321462 | 1 | RETAINER-BRAKE 8" PLATE |
| 2 | 3321465 | 2 | SPRING-TENSION |
| 3 | 3321461 | 1 | ASSEMBLY-WHEEL CYLINDER, 8" BRAKE |
| 4 | 3321467 | 1 | BRAKE SHOE SET-8" LH (SHOWN) |
| 4 | 3334766 | 1 | BRAKE SHOE SET-8" RH (NOT SHOWN) |
| 5 | 3321466 | 2 | SPRING-HOLD DOWN |
| 6 | 3321463 | 1 | ASSEMBLY-MANUAL BRAKE ADJUSTER |
| 7 | 3321464 | 1 | SPRING-RETURN, 8" BRAKE |

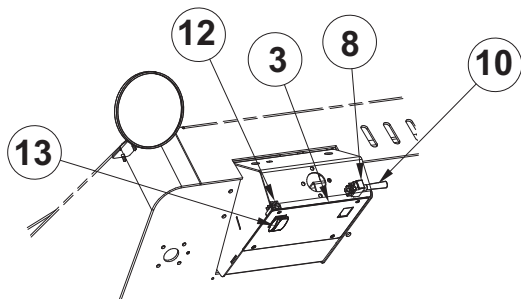
LH PARKING BRAKE GROUP



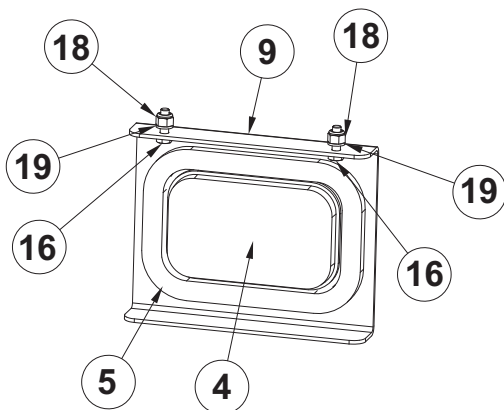
| LH PARKING BRAKE GROUP | | | |
|-------------------------------|-----------------|--------------|--|
| ITEM | PART NO. | REQ'D | DESCRIPTION |
| 1 | 3300367 | 1 | PULLEY-2.50 DIA BUSHED " CABLE MAX BRAKE |
| 2 | 3303169 | 1 | LEVER-HAND BRAKE |
| 3 | 3307241 | 2 | SPACER-HAND BRAKE, ZP SW/A |
| 4 | 3307273 | 4 | BAR-HAND BRAKE SPACER, ZP SW/A |
| 5 | 3307861LH | 1 | PULLEY MOUNT #3, LH |
| 6 | 3400473 | 2 | SCR-HH 3/8-16 X 3.00 ZP GR 5 FULL THREAD |
| 7 | 600578 | 1 | RING-RUE .50 ZP |
| 8 | 690501 | 1 | ASSEMBLY, BRAKE CABLE, LH |
| 9 | 711380 | 4 | NUT-NYLOC 3/8-16 ZP |
| 10 | 730717 | 2 | SCR-BHSCS 3/8-16 X 1.00 SS |
| 11 | 730875 | 1 | PIN-CLEVIS 1/2 X 2.50 ZP |
| 12 | REF. | | FRAME |

DIRECTIONAL LIGHTING, FOUR WAY FLASHERS, AND REAR MIRRORS

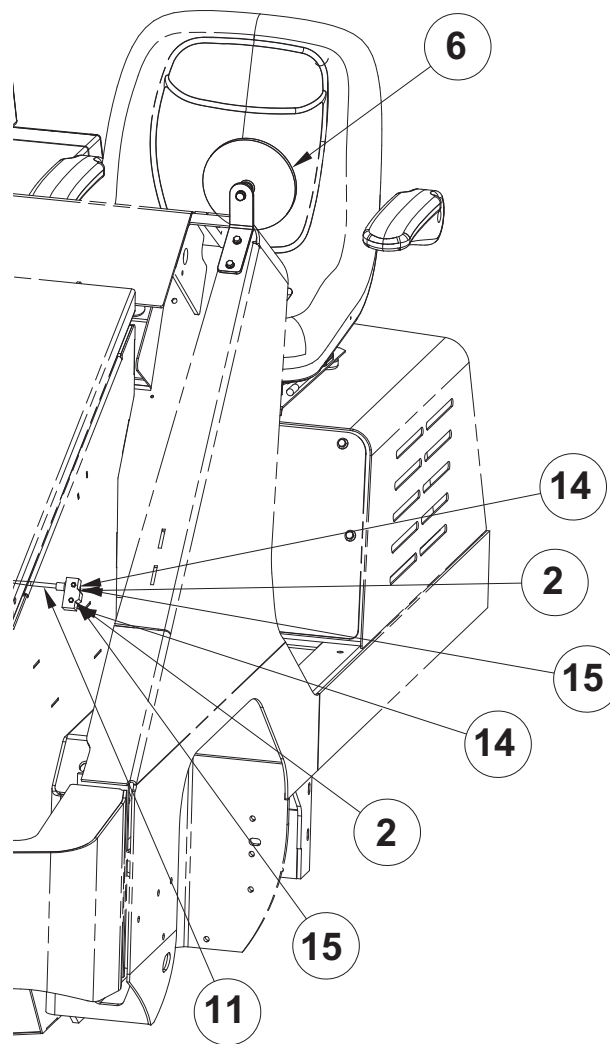
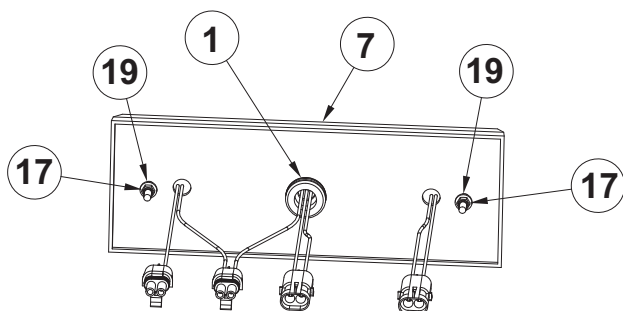
CONSOLE



FRONT LIGHTS

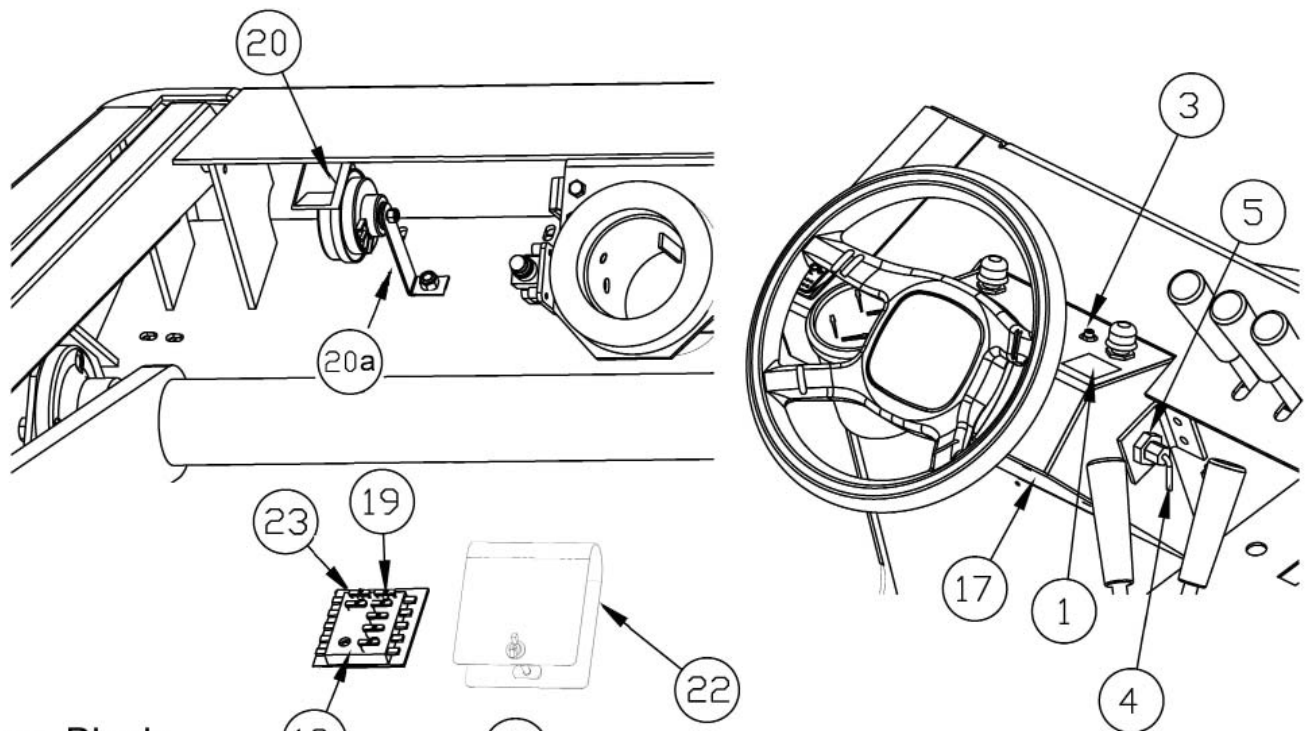


REAR LIGHTS

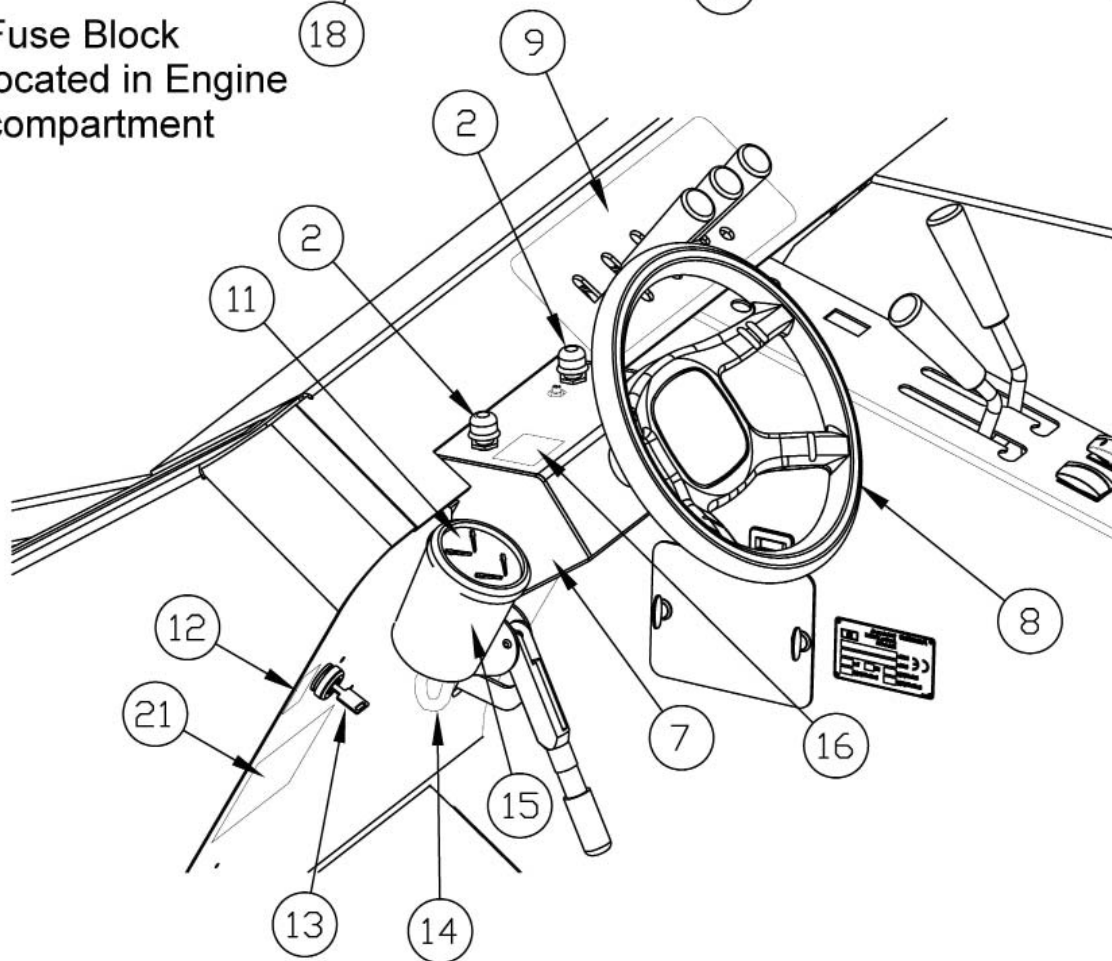


| DIRECTIONAL LIGHTING, FOUR WAY FLASHERS, AND REAR MIRRORS GROUP | | | |
|--|-----------------|--------------|---|
| ITEM | PART NO. | REQ'D | DESCRIPTION |
| 1 | 260274 | 2 | GROMMET Z-421 |
| 2 | 620136 | 2 | SCR-HH 8-32 X 1.25 ZP |
| 3 | 690396 | 1 | COVER-PLT, TILT STEERING, 9X, (CUTOOTS) |
| 4 | 690535-1 | 2 | ASSY, AMBER LED 5", FRONT TURN SIGNAL |
| 5 | 690536 | 2 | MOUNTING GROMMET |
| 6 | 690540-1 | 1 | LEFT-HAND REAR VIEW MIRRORS (SET OF 2) |
| 7 | 690543-1 | 1 | LIGHT ASSY, LED REAR COMBO (SET OF 2) |
| 8 | 690546 | 1 | SWITCH, TOGGLE, TURN SIGNAL |
| 9 | 690621 | 2 | MOUNT, RUNNING LIGHT |
| 10 | 748301 | 1 | TOGGLE HANDLE EXTENSION |
| 11 | 3342546 | 1 | SWITCH-12V WHISKER |
| 12 | 3342705 | 1 | SWITCH-BASE, DPST CONTURA ROCKER |
| 13 | 3344038 | 1 | COVER-SWITCH ROCKER BLACK NO LENS |
| 14 | 3400082 | 2 | NUT-NYLOC 8-32 ZP |
| 15 | 3400096 | 2 | WASHER-FLAT #8 X .438 ZP |
| 16 | 11038098 | 4 | SCR-HH M6-1.0 X 20 ZP CLASS 8.8 DIN |
| 17 | 12040036 | 4 | NUT-NYLOC M5 X 0.8 ZD CLASS 6 |
| 18 | 12040044 | 4 | NUT-NYLOC M6 X 1.0 ZP CLASS 6 |
| 19 | 12310033 | 8 | WASHER-FLAT M6.4 X 12 X 1.6 ZP |

STEERING WHEEL, GAUGES & FUSES

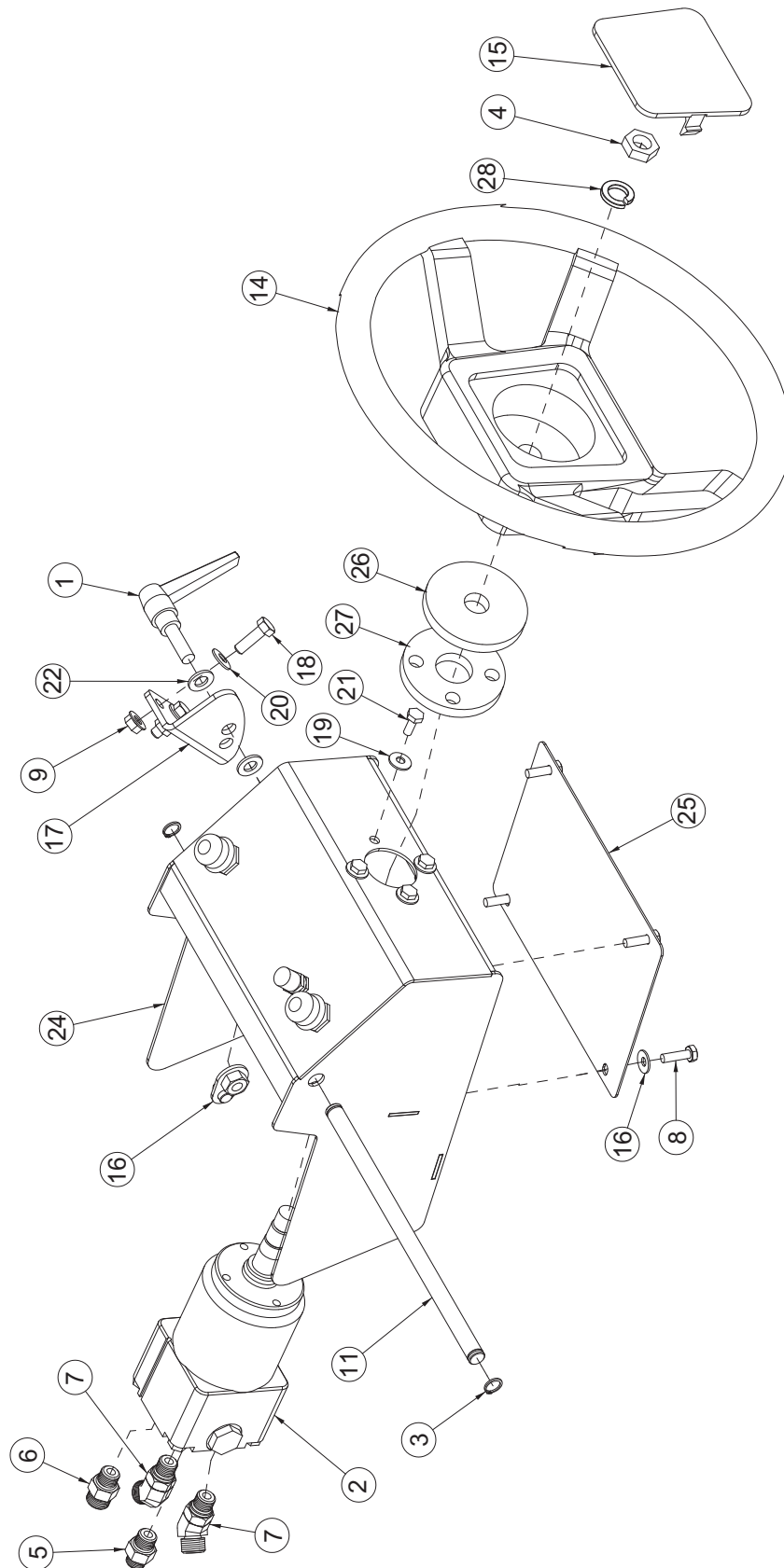


Fuse Block
located in Engine
compartment



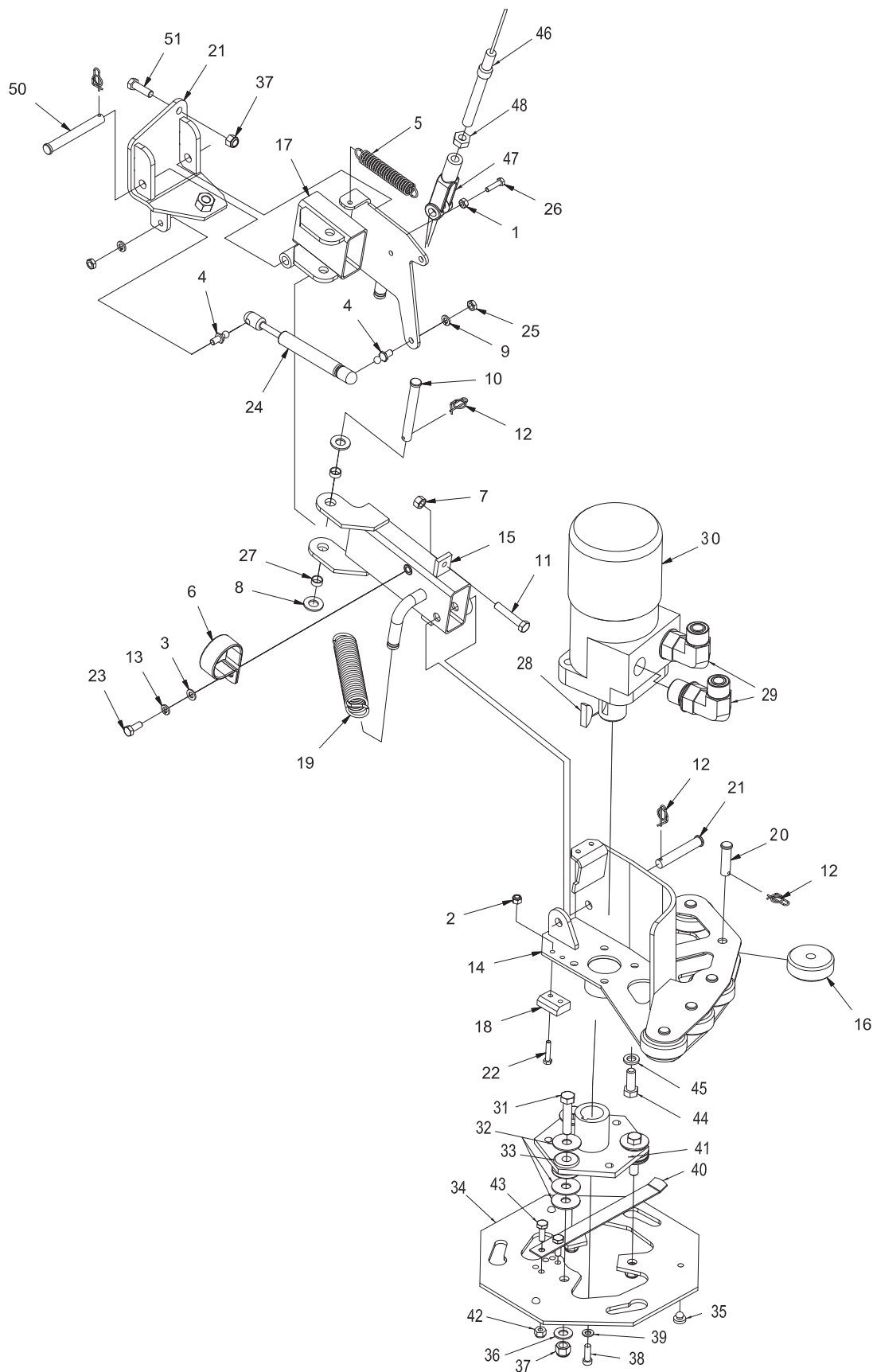
| STEERING WHEEL, GAUGES & FUSES | | | |
|---|-----------------|--------------|---------------------------------------|
| ITEM | PART NO. | REQ'D | DESCRIPTION |
| 1 | 3302520 | 1 | DECAL-"FILTER SHAKER" |
| 2 | 3300441 | 2 | SWITCH MOMENTARY 12V |
| 3 | 3026924 | 1 | CIRCUIT BREAKER-45 AMP |
| 4 | 600260 | 1 | KNOB LEVER |
| 5A | 3338622 | 1 | WDT - TILT STEERING LOCK |
| 5B | 3400192 | 2 | NUT-HEX JAM 5/8-11 ZP |
| 5C | 12310058 | 1 | WSR-FLT M10.5 X 20 X 2 STL |
| 7 | 3338616PLH | 1 | WDT - AM9D TILT STEERING BOX, LH |
| 8 | 610000 | 1 | WHEEL-STEERING |
| 8a | 610001 | 1 | STEERING WHEEL CAP, POWERBOSS |
| 9 | 3307594LH | 1 | DECAL-FRONT PANEL SW/A, LH |
| 11 | 3333721 | 1 | GAUGE-4 IN 1, 3.50" DIA |
| 12 | 3307599 | 1 | DECAL-IGNITION SW/A |
| 13 | 3316100 | 1 | SW-IGNITION, 3-POS, W/STARTER LOCKOUT |
| 14 | 3335096 | 1 | HARNESS-GAUGE |
| 15 | 3333719P | 1 | WELDMENT-GAUGE MOUNT |
| 16 | 3302525 | 1 | DECAL-"HORN" |
| 17 | 690396 | 1 | COVER - PLT, TILT STEERING |
| 18 | 3322599 | 1 | FUSE BLOCK-ATO, 10 POSITON |
| 19 | 3322601 | 5 | FUSE-15 AMP AUTOMOTIVE PUSH IN |
| 20 | 3300379 | 1 | HORN-AUTOMOTIVE 12V STANDARD |
| 20a | 704202 | 1 | HORN MOUNTIN BRACKET |
| 21 | 3301854 | 1 | DECAL-CAUTION |
| 22 | 690104 | 1 | ASSY, RUBBER FUSE BOX COVER |
| 23 | 3335380 | 2 | FUSE-25 AMP STD, AUTO |

STEERING COLUMN



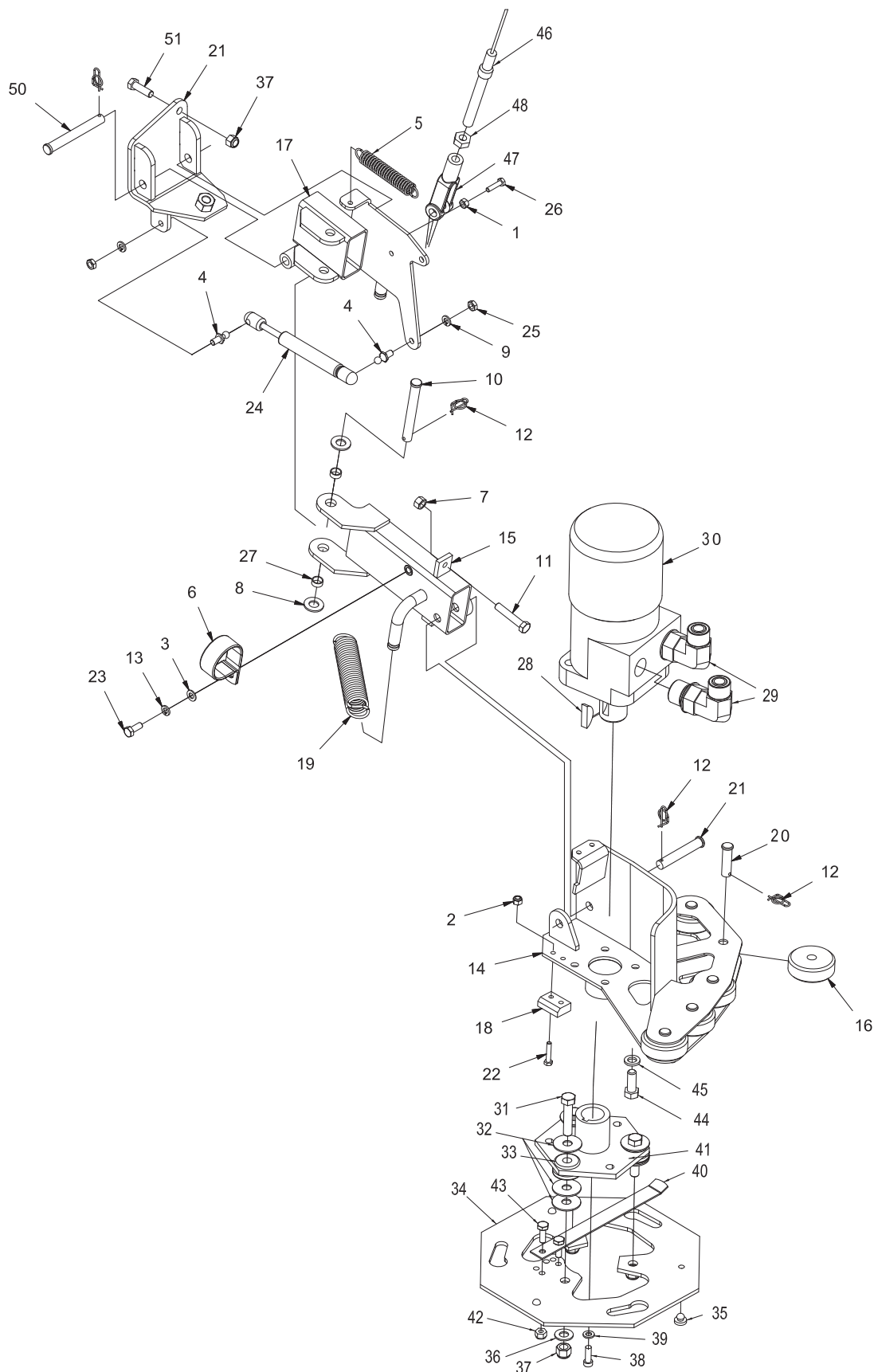
| STEERING COLUMN | | | | |
|-----------------|------------|-------|--|-----------------------|
| ITEM | PART NO. | REQ'D | DESCRIPTION | HOSE |
| 1 | 600260 | 1 | KNOB LEVER | |
| 2 | 600368 | 1 | STEERING UNIT | |
| 3 | 600569 | 2 | RET RING-EXT .50 HD | |
| 4 | 620057 | 1 | NUT-JAM M16 x 1.50 ZP | |
| 5 | 675511 | 1 | FTG-STR THD CONNECTOR -4 ORFS TO -6 SA | 675407 |
| 6 | 675515 | 1 | FTG-STR THD CONNECTOR -6 ORFS TO -6 SA | 675411 |
| 7 | 675552 | 2 | FTG-STR THD 45 -6 ORFS TO -6 SAE | 675409, 675410 |
| 8 | 711206 | 4 | SCR-HH 1/4-20 X .87 ZP GR 5 | |
| 9 | 711379 | 2 | NUT-FLANGED WIZZ 5/16-18 ZP | |
| 10 | 742748 | 1 | CIRCUIT BREAKER-BOOT | |
| 11 | 750075 | 1 | SHAFT - TILT STEERING PIVOT, AM9D | |
| 12 | 3026924 | 1 | CIRCUIT BREAKER-45AMP | |
| 13 | 3300441 | 2 | SWITCH-MOMENTARY STARTER, 12V | |
| 14 | 610000 | 1 | WHEEL-STEERING | |
| 15 | 610001 | 1 | STEERING WHEEL CAP, POWERBOSS | |
| 16 | 3338622 | 1 | WDT - TILT STEERING LOCK | |
| 17 | 3338625LH | 1 | BRKT - TILT STEERING, LH | |
| 18 | 3400035 | 2 | SCR-HH 5/16-18 X 1.00 ZP GR 5 | |
| 19 | 3400383 | 8 | WASHER-CONICAL SPRING 1/4 | |
| 20 | 3400384 | 2 | WASHER-CONICAL SPRING 5/16 | |
| 21 | 11038072 | 4 | SCR-HH M6-1.0 X 16 ZP CLASS 8.8 | |
| 22 | 12310058 | 2 | WASHER-FLAT M10.5 X 20 X 2 ZP | |
| 24 | 3338616PLH | 1 | WDT - AM9D TILT STEERING BOX, LH | |
| 25 | 690396 | 1 | COVER - PLT, TILT STEERING | |
| 26 | 690160 | 1 | DUST RING, STEERING, UPPER | |
| 27 | 690152 | 1 | DUST RING, STEERING | |
| 28 | 712315 | 1 | WASHER-LOCK 5/8 SPLIT ZP | |

SIDE BROOM ASSEMBLY - DRIVE MOTOR, ARM, AND MOUNTING (PAGE 1 OF 2)



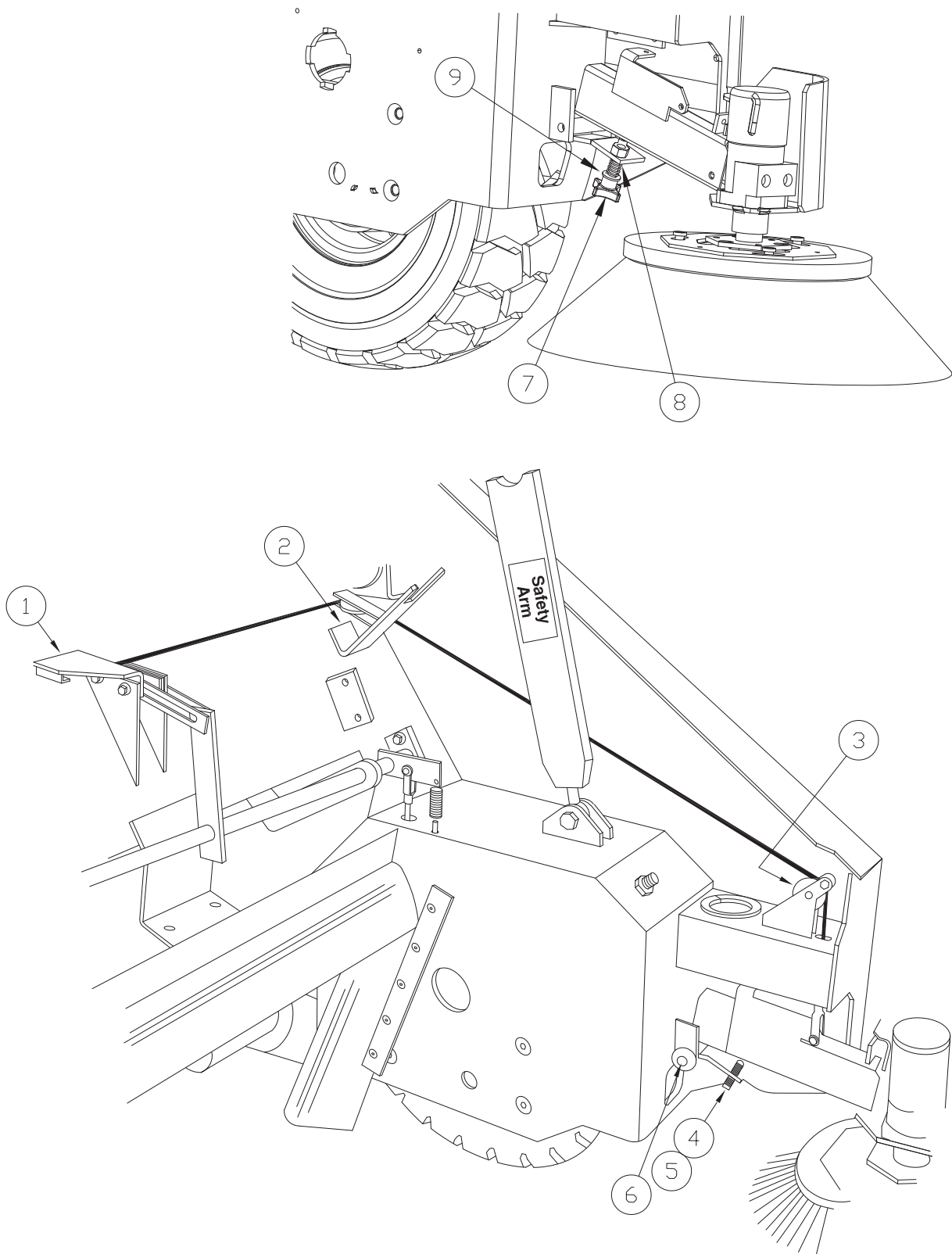
| SIDE BROOM ASSEMBLY - DRIVE MOTOR, ARM, AND MOUNTING - 3307033LH | | | |
|---|-----------------|--------------|--|
| ITEM | PART NO. | REQ'D | DESCRIPTION |
| 1 | 12022042 | 1 | NUT, M6-1.00 HEX |
| 2 | 12040044 | 2 | NUT, M6-1.00 ESN |
| 3 | 12310041 | 1 | WASHER, MB |
| 4 | 3300376 | 2 | STUD, 10MM BALL |
| 5 | 3302599 | 1 | SPRING, EXT, .160 W 1.25 OD 10.25 L SS |
| 6 | 3343539 | 1 | CLAMP, 2" |
| 7 | 3400068 | 1 | NUT, HEX 3/8-16 |
| 8 | 3400086 | 2 | WASHER, 1/2, 1.063 X .531 X .094 |
| 9 | 3400102 | 2 | LOCK WASHER, 5/16 HS MED |
| 10 | 3400751 | 1 | CLEVIS PIN, .50 X 4.00 |
| 11 | 3401454 | 1 | BOLT, 3/8-16 X 2.00 HH FULL THD |
| 12 | 600578 | 7 | RUE-RING, .50 |
| 13 | 600959 | 1 | LOCK WASHER, M8 |
| 14 | 690423 | 1 | WELDMENT, SB MOTOR MNT |
| 15 | 690456-1 | 1 | ASSEMBLY, SB ARM |
| 16 | 690459 | 5 | ROLLER |
| 17 | 690461 | 1 | WELD, REAR SB ARM |
| 18 | 690510 | 1 | BUMPER, SIDE BROOM |
| 19 | 690512 | 1 | SPRING, EXT, .135 W 1.25 OD 5.5 L |
| 20 | 712109 | 5 | PIN-CLEVIS 1/2 X 1.75 ZP |
| 21 | 3400751 | 1 | PIN-CLEVIS 1/2 X 4.00 ZP |
| 22 | 717021 | 2 | SCR-HH M6-1.0 X 30 ZP CLASS 8.8 |
| 23 | 717024 | 1 | SCR-HH M8-1.25 X 20 ZP GRADE 8.8 |
| 24 | 730902 | 1 | GAS STRUT, 8.77 EXT X 3.00 STK, 200N |

SIDE BROOM ASSEMBLY - DRIVE MOTOR, ARM, AND MOUNTING (PAGE 2 OF 2)



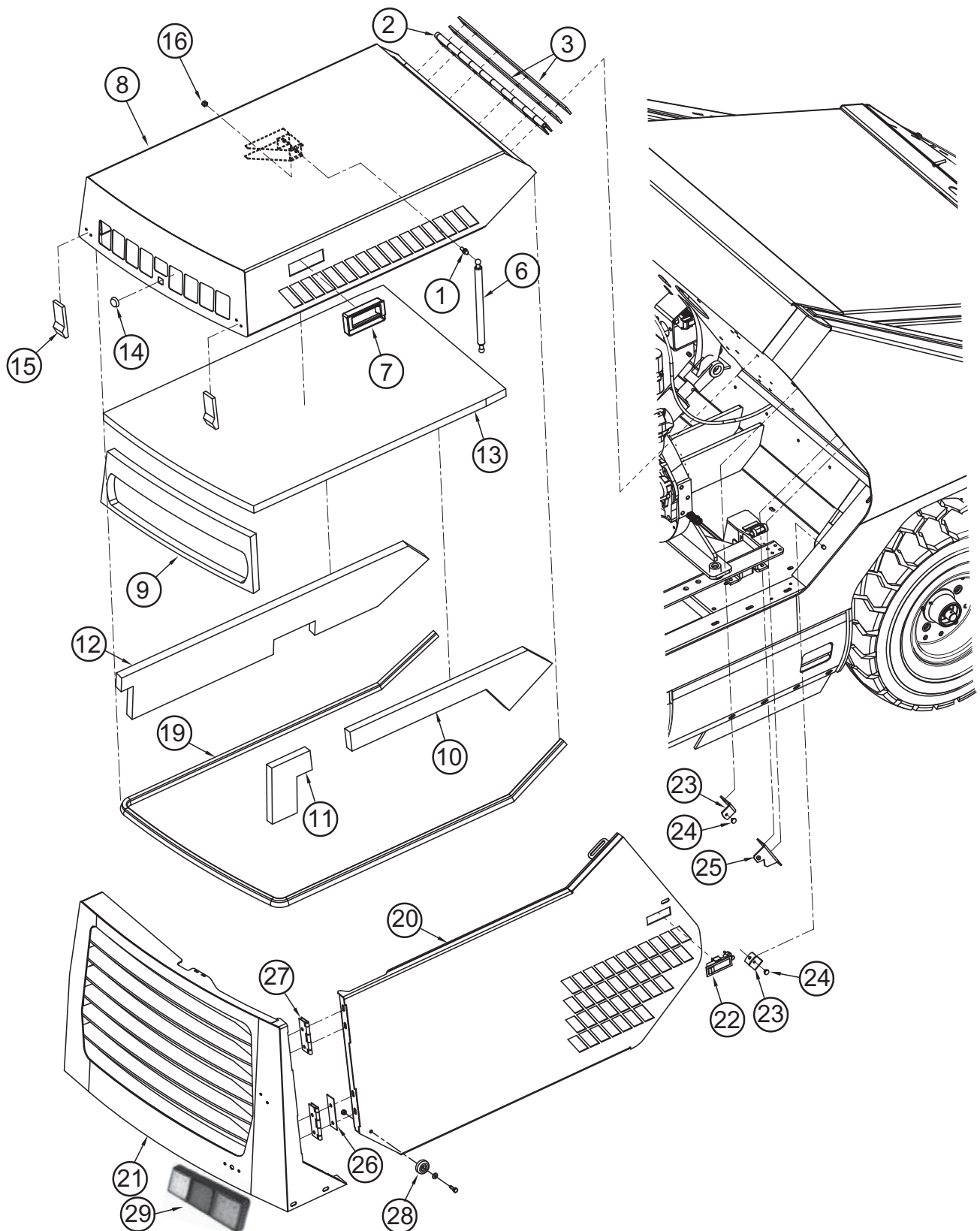
| SIDE BROOM ASSEMBLY - DRIVE MOTOR, ARM, AND MOUNTING - 3307033LH | | | |
|---|-----------------|--------------|--|
| ITEM | PART NO. | REQ'D | DESCRIPTION |
| 25 | 730904 | 2 | NUT-JAM 5/16 - 18 SS |
| 26 | 731006 | 1 | SCR-HH M6-1.00 X 25 ZP CLASS 8.8 |
| 27 | 714002 | 2 | FIBERGLIDE BEARING, .500 ID .250 T |
| 28 | 3330338 | 1 | KEY-SHAFT D-FOSS CB/MB/SC MTRS (REPLACEMENT) |
| 29 | 675528 | 2 | FTG-STR THD ELBOW -8 ORFS TO -10 SAE |
| 30 | 3316897 | 1 | MOTOR-HYD CURB BROOM |
| 31 | 3400027 | 3 | SCR-HEX,3/8-16X1.75 ZP |
| 32 | 3400278 | 9 | WASHER-FENDER 3/8 |
| 33 | 3300465 | 3 | ISOLATOR-RUBBER (.375IDx.81OD) |
| 34 | 3301262 | 1 | PLATE-GIMBAL SC HD |
| 35 | 3300526 | 3 | BUMPER-RUBBER 1/4IDx1/8 THK |
| 36 | 3400087 | 3 | WASHER-FLAT 3/8 STANDARD ZP |
| 37 | 711380 | 3 | NUT-NYLOC 3/8-16 |
| 38 | 3400049 | 1 | SCR-SOCKET HEAD,1/4-20X0.75 NYLOCK |
| 39 | 3400103 | 1 | WASHER-LOCK 1/4 SPLIT ZP |
| 40 | 3302058 | 1 | BAR-CURB BROOM RETAINER |
| 41 | 3300875 | 1 | DRIVE HUB SC BR |
| 42 | 711373 | 2 | NUT-NYLOC 1/4-20 |
| 43 | 713002 | 2 | BLT-HH 1/4-20 X .75 #5 ZINC |
| 44 | 3400030 | 4 | SCR-HEX,3/8-16X1.00, GRADE 5, ZP |
| 45 | 3400101 | 4 | WASHER-LOCK 3/8 SPLIT ZP |
| 46 | 3335120 | 1 | CABLE-SIDE BROOM |
| 47 | 3307642 | 2 | WASHER, 1/2, 1.063 X .531 X .094 |
| 48 | 3400069 | 1 | NUT-HEX 5/16-24 ZP |
| 49 | 690614 | 1 | WELDMENT, LH SB MNT |
| 50 | 712134 | 1 | PIN-CLEVIS 1/2 X 3.00 ZP |
| 51 | 713043 | 1 | SCR-HH 3/8-16 X 1.25 ZP GR 5 |

SIDE BROOM ASSEMBLY - ADJUSTMENT COMPONENTS



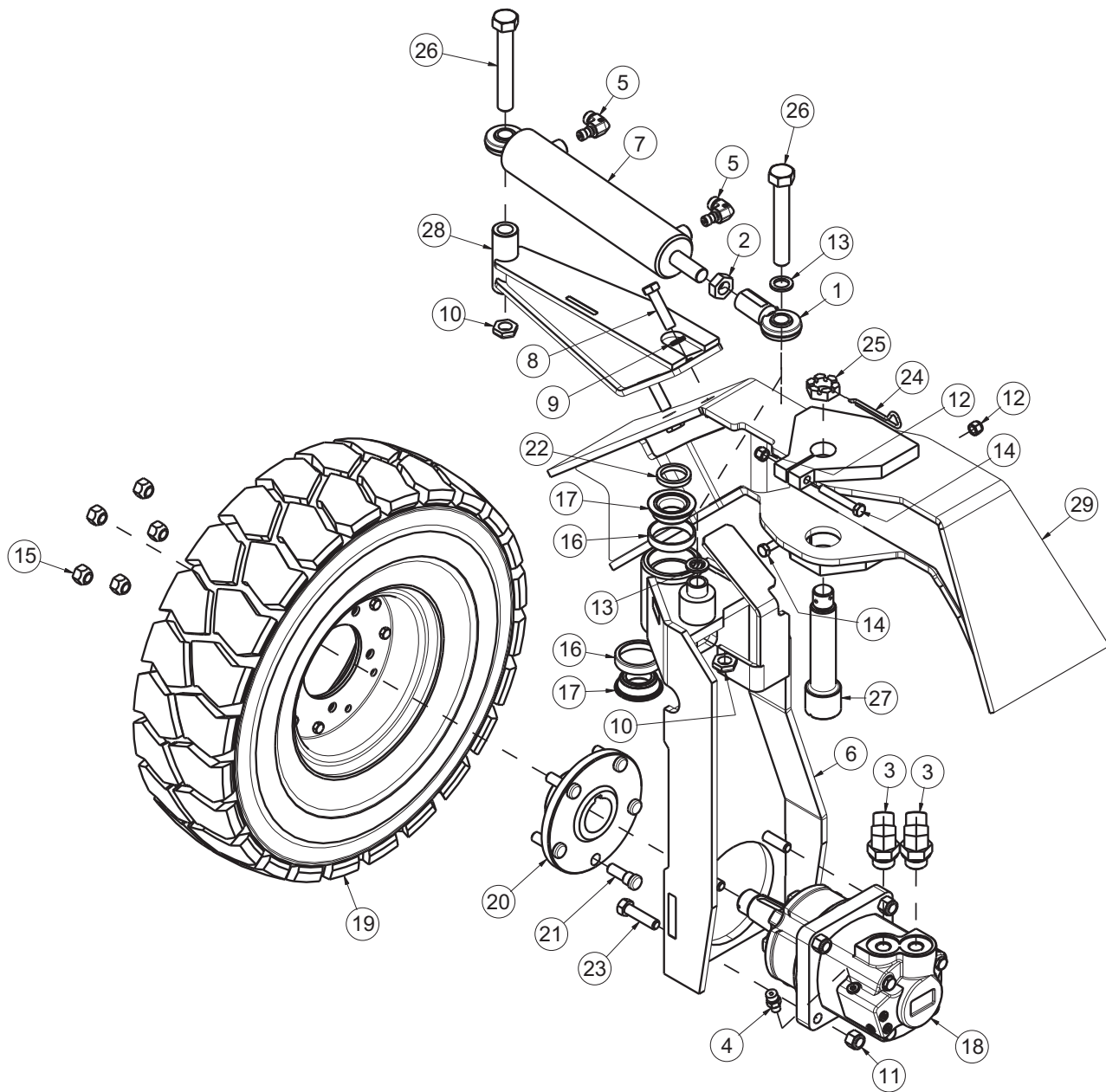
| SIDE BROOM ASSEMBLY - ADJUSTMENT COMPONENTS | | | |
|--|-----------------|--------------|---|
| ITEM | PART NO. | REQ'D | DESCRIPTION |
| 1 | 3307861LH | 1 | WELDMENT-PULLEY MOUNT #3, LH |
| 2 | 3307865LH | 1 | WELDMENT-SAFETY ARM RETAINER/PULLEY MOUNT, LH |
| 3 | 3300368 | 3 | PULLEY-PLASTIC φ2", φ.25" GROOVE |
| 4 | 3400404 | 1 | SCR-SET,1/2-20X3.00 |
| 5 | 3400449 | 1 | NUT-HEX JAM 1/2-20 (NOT SHOWN) |
| 6 | 620027 | 1 | PIN-CLEVIS 1/2 X 4-1/2 |
| 7 | 3400404 | 1 | SCR-SET,1/2-20X3.00 |
| 8 | 3400449 | 1 | NUT-HEX JAM 1/2-20 ZP |
| 9 | 3400086 | 1 | WASHER-FLAT 1/2 STANDARD ZP |

ENGINE COVER, SIDE DOOR, LATCH & REAR GRILL



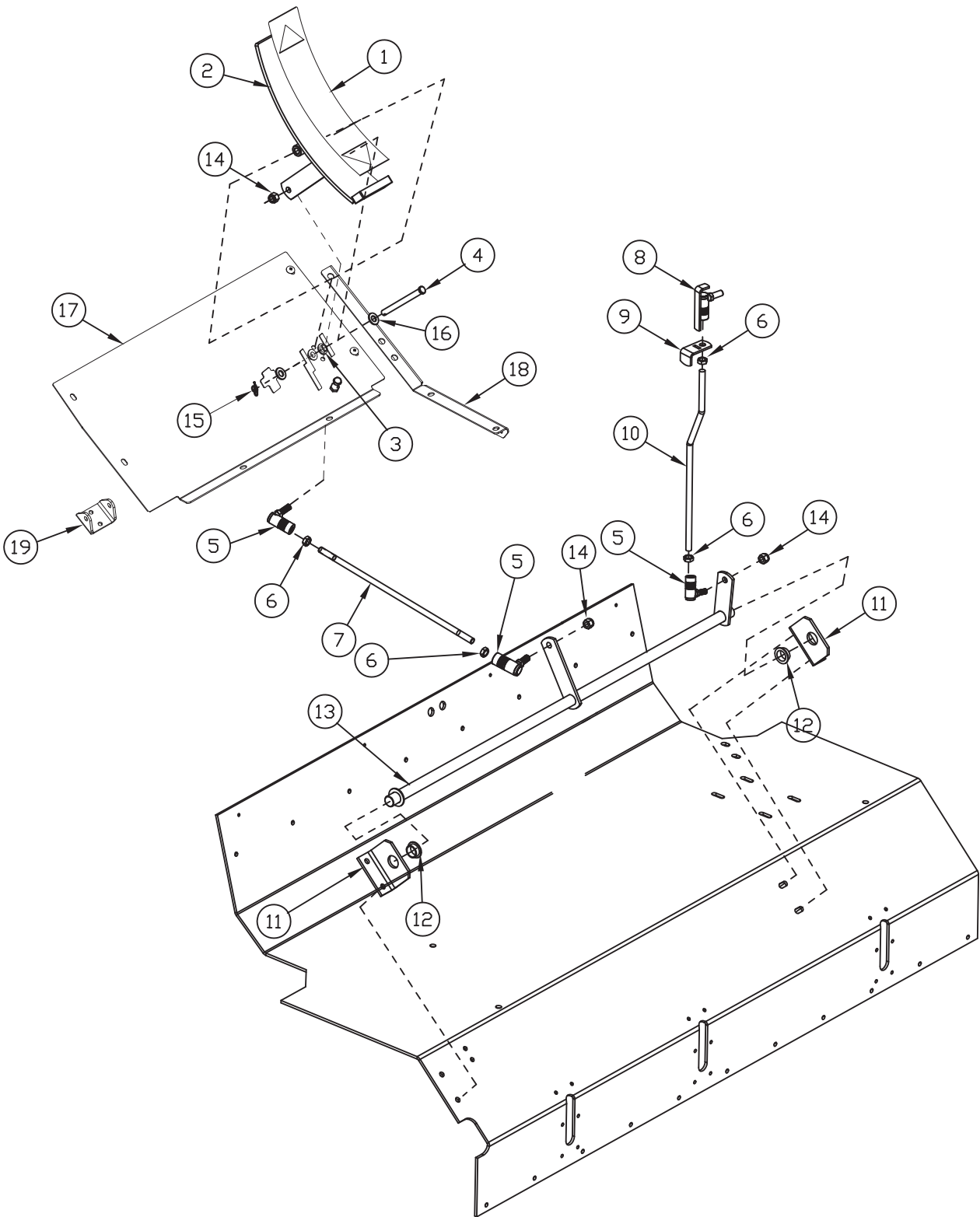
| ENGINE COVER, SIDE DOOR, LATCH & REAR GRILL | | | |
|--|-----------------|--------------|--|
| ITEM | PART NO. | REQ'D | DESCRIPTION |
| 1 | 3300376 | 1 | STUD-BALL 10MM |
| 2 | 3307503LH | 1 | HINGE ENGINE COVER, LH |
| 3 | 3307504 | 2 | SPACER ENGINE COVER HINGE FRAME SIDE |
| 6 | 3308767L | 1 | GAS SPRING-8" STROKE, LOCKING |
| 7 | 3335146 | 1 | HANDLE - RECESSED NYLON INSET (.07-.13 WALL) |
| 8 | 3336780BRMLH | 1 | ENGINE COVER AM9D , BURGUNDY, LH |
| 9 | 690129 | 1 | INSULATION - ENG COVER BACK |
| 10 | 690127LH | 1 | INSULATION - ENG COVER LH FRONT PANEL, LH |
| 11 | 690128LH | 1 | INSULATION - ENG COVER LH BACK PANEL, LH |
| 12 | 690130LH | 1 | INSULATION - ENG COVER RT 9X, LH |
| 13 | 690131LH | 1 | INSULATION - ENG COVER TOP 9X, LH |
| 14 | 3330356 | 1 | PLUG-PLASTIC HOLE, 3/4, 7 GA |
| 15 | 3307719 | 2 | LATCH-RUBBER SOFT |
| 16 | 711374 | 1 | NUT-HEX 5/16-18 ES |
| 19 | 3500198 | 8.5' | SEAL-TRIM 90 DEG. MOUNT |
| 20 | 3336786BRMLH | 1 | SIDE DOOR AM9D, BURGUNDY, LH |
| 21 | 3335437BRMLH | 1 | RADIATOR GUARD AM9D , BURGUNDY, LH |
| 22 | 3300380 | 1 | LATCH ASSY-#C2-10-301-50 |
| 23 | 3335015 | 2 | PLATE-STOP, SIDE DOOR, ARMA PLATED |
| 24 | 3300526 | 2 | BUMPER-RUBBER 1/4IDx1/8 THK |
| 25 | 3335174LH | 1 | SIDE DOOR STRIKE ARMA, LH |
| 26 | 3307560 | - | SPACER-METAL, 0.060" SIDE DOOR SW/A |
| 27 | 3307513LH | 2 | HINGE-SIDE DOOR, LH |
| 28 | 3302482 | 1 | BUMPER-RUBBER, 1.5" DIA, 5/8 THK |
| 29 | 690543-1 | 1 | LIGHT ASSY, LED REAR COMBO (SET OF 2) |

REAR DRIVE ASSEMBLY



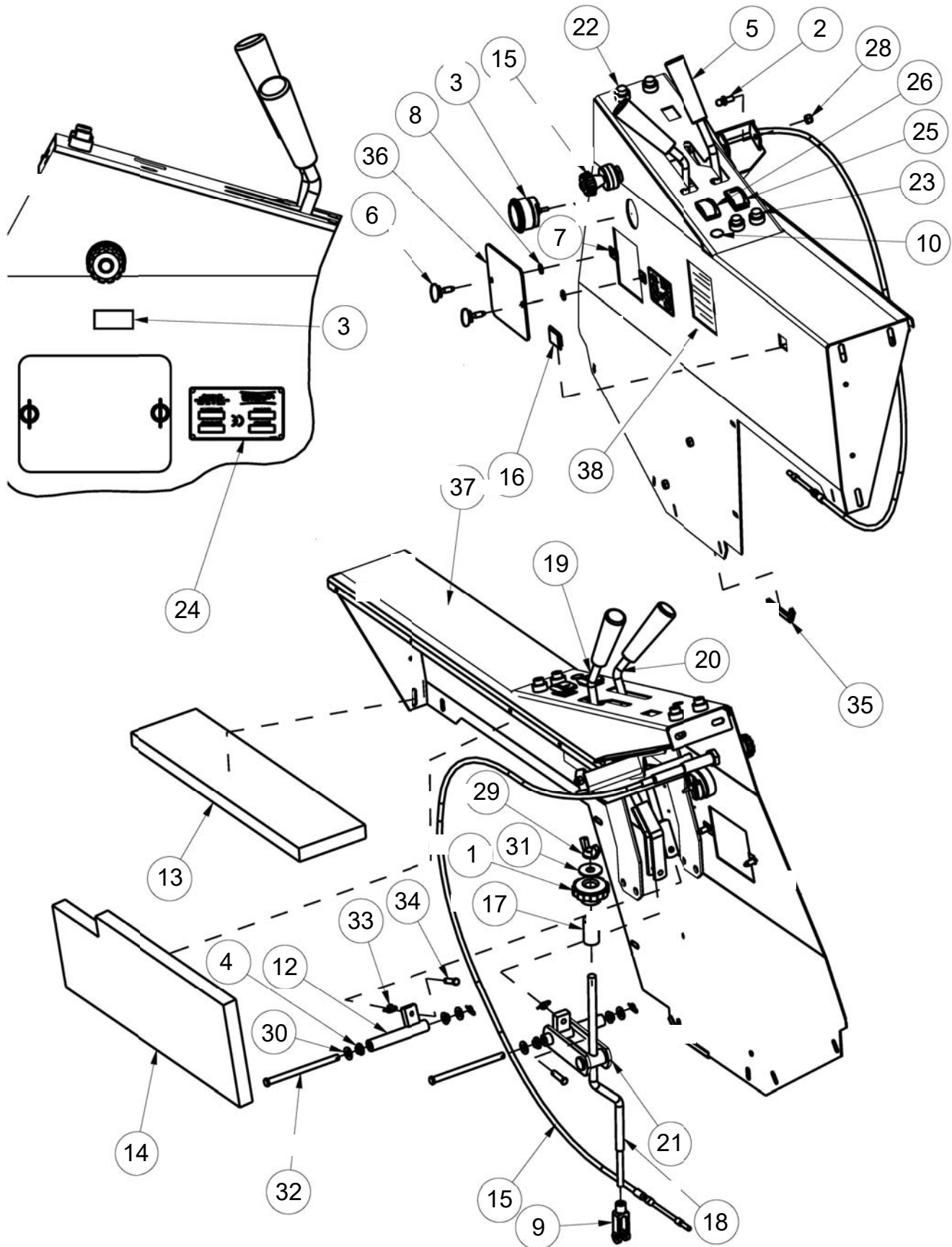
| REAR DRIVE ASSEMBLY | | | |
|----------------------------|-----------------|--------------|--|
| ITEM | PART NO. | REQ'D | DESCRIPTION |
| 1 | 600178 | 1 | ROD END FEM 3/4-16 W/ZERK |
| 2 | 600939 | 1 | NUT 3/4-16 JAM |
| 3 | 675501 | 2 | FTG-45 DEG STR ELBOW -10 ORFS TO -12 SAE |
| 4 | 675508 | 1 | FTG-STR THD CONNECTOR -4 ORFS TO -4 SA |
| 5 | 675518 | 2 | FTG-STR THD ELBOW -6 ORFS TO -5 SAE |
| 6 | 690003LH | 1 | CYL STEERING FORK, LH |
| 7 | 690025 | 1 | STEERING CYL |
| 8 | 710120 | 2 | SCREW, HHCS, 1/2-13 X 2 GRD 8 |
| 9 | 710121 | 2 | WASHER, NORDLOCK (2PC), 1/2 CARBON STEEL |
| 10 | 710122 | 2 | NUT, 3/4-10, NYLON LOCKING, LOW PROFILE |
| 11 | 711376 | 4 | NUT-NYLOC 1/2-13 |
| 12 | 711380 | 2 | NUT-NYLOC 3/8-16 NUT |
| 13 | 712318 | 2 | WSR- FLAT .75 X 1.12 X .12 PL |
| 14 | 713048 | 2 | BLT-HH 3/8-16 X 2 1/2 #5 |
| 15 | 3300411 | 5 | NUT-WHEEL LUG, 1/2-20 UNF |
| 16 | 3300470 | 2 | BEARING-TAPERED ROL CUP |
| 17 | 3300471 | 2 | BEARING-TAPERED ROLCONE W/SEAL |
| 18 | 3306809 | 1 | MOTOR - HYD, 400 SERIES |
| 19 | 3307021 | 1 | ASSY-TIRE REAR |
| 20 | 3307347P | 1 | HUB-REAR SW/A, BLACK |
| 21 | 3304348 | 5 | STUD - WHEEL, 1/2-20X 1.63 (REAR SW/A) |
| 22 | 3337860 | 1 | SPACER-STEERING FORK |
| 23 | 3400020 | 4 | SCR-HEX, 1/2-13 X 2.00 ZP |
| 24 | 3400120 | 1 | PIN-COTTER 5/32 X 2.00 ZP |
| 25 | 3400223 | 1 | NUT-SLOTTED, 1-20 UNEF |
| 26 | 3400422 | 2 | SCR-HEX, 3/4-10 X 5.00 ZP |
| 27 | 3307349P | 1 | PIN - REAR FORK |
| 28 | 3317370PLH | 1 | WELDMENT-CYL STEERING MOUNT, LH |
| 29 | REF | 1 | WELDMENT- FRAME, AM9D/9X |

DIRECTIONAL CONTROL LINKAGE ASSEMBLY



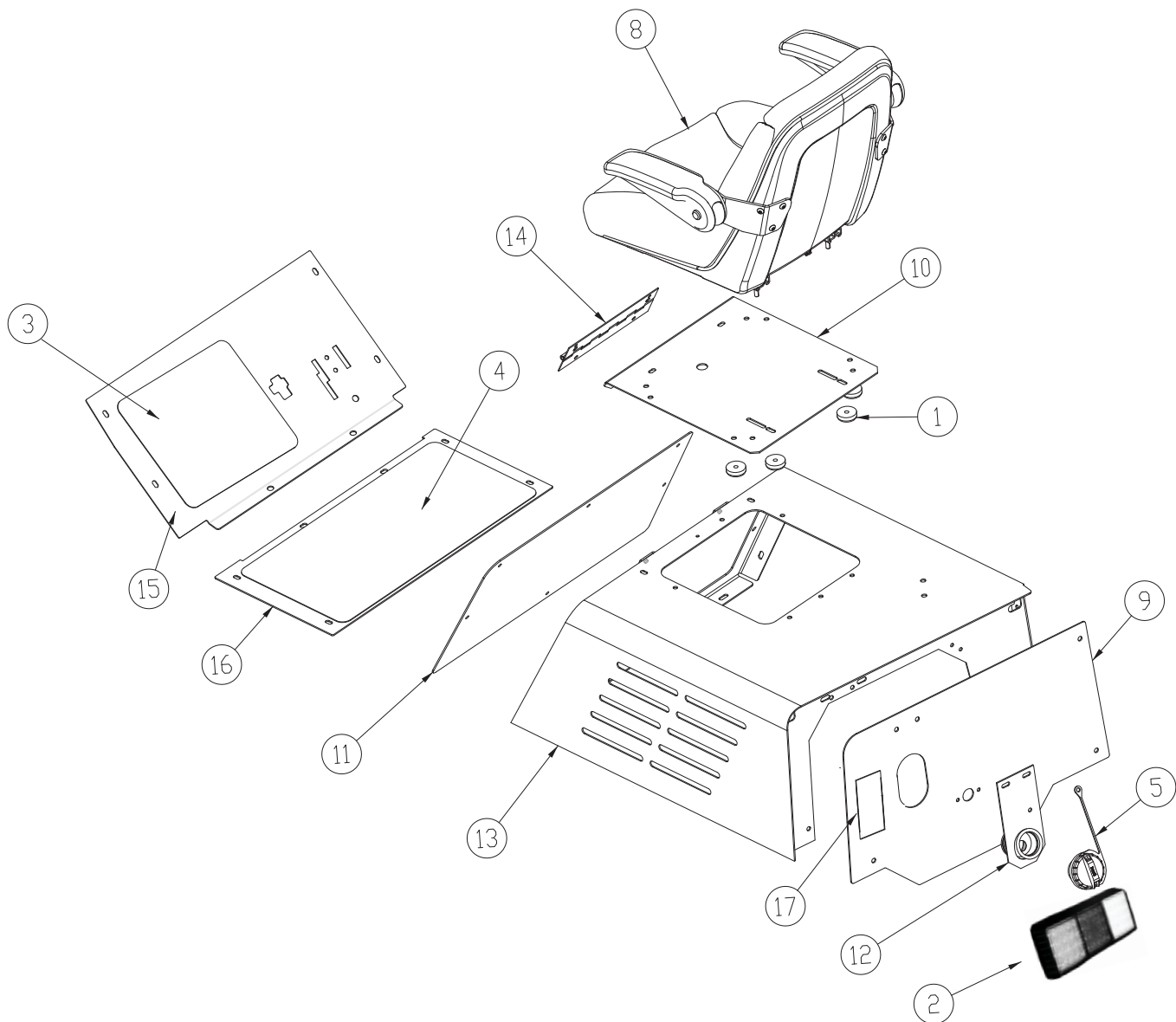
| DIRECTIONAL CONTROL LINKAGE ASSEMBLY | | | |
|---|-----------------|--------------|---------------------------------------|
| ITEM | PART NO. | REQ'D | DESCRIPTION |
| 1 | 3335609 | 1 | PAD-FOOT PEDAL, ANTI-SKID, 2" X 9.5" |
| 2 | 3337390 | 1 | PEDAL - FWD/REV, 1-PC |
| 3 | 3300414 | 2 | BUSHING-PLASTIC FLANGED, .375IDx.50OD |
| 4 | 711681 | 1 | PIN-CLEVIS, 3/8x4 |
| 5 | 3300461 | 2 | BALL JOINT-3/8-24 |
| 6 | 3400075 | 4 | NUT-JAM, 3/8-24 |
| 7 | 3307222 | 1 | ROD-DIRECTIONAL CONTROL, DIESEL |
| 8 | 3307611 | 1 | QUICK RELEASE- FWD/REV |
| 9 | 3307613 | 1 | HANDLE-QUICK RELEASE |
| 10 | 3307938 | 1 | ROD-DIRECTIONAL CONTROL DIESEL |
| 11 | 3307223 | 2 | MOUNT-DIRECTIONAL CONTROL BUSHING |
| 12 | 3307220 | 2 | BUSHING-PLASTIC FLANGED, .76IDx.88OD |
| 13 | 690405 | 1 | DIRECTIONAL TORQUE TUBE, LH |
| 14 | 3400342 | 4 | NUT-HEX 3/8-24 ES ZP |
| 15 | 3400125 | 1 | PIN-COTTER 3/8 RUE-RING |
| 16 | 3400087 | 1 | WASHER-FLAT 3/8 STANDARD ZP |
| 17 | 690402 | 1 | FLOOR BOARD - UPPER, AM9D, LH |
| 18 | 3337542LH | 1 | ASSY - 9XR FLOORBOARD LEDGE, LH |
| 19 | 3337389 | 1 | MOUNT - FWD/REV PEDAL |

CONSOLE ASSEMBLY



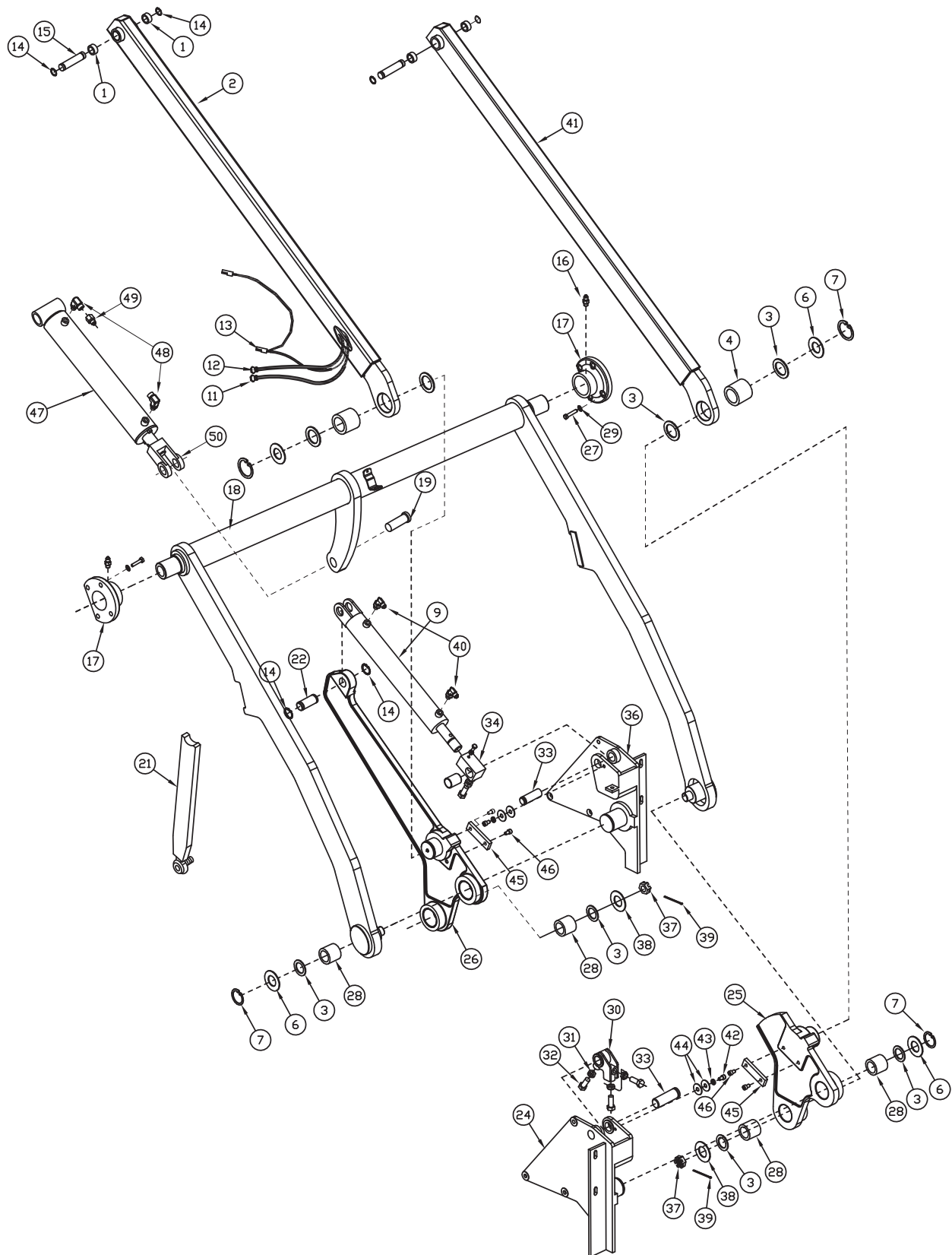
| CONSOLE ASSEMBLY | | | |
|-------------------------|-----------------|--------------|--|
| ITEM | PART NO. | REQ'D | DESCRIPTION |
| 1 | 3300352 | 1 | KNOB-MB LIFT ADJ |
| 2 | 3300376 | 1 | STUD-BALL, GAS SPRING, 5/16-18 |
| 3 | 3336094 | 1 | GAUGE-HOURMETER, DIGITAL, SNAP (AFTER SN-18168059) |
| 4 | 3300414 | 4 | BUSHING-PLASTIC 3/8IDx1/2OD |
| 5 | 600264 | 2 | HANDLE CONTURED |
| 6 | 3301147 | 2 | SCR-5/16 ACME THD, WING HEAD, |
| 7 | 3301155 | 2 | CLIPNUT-5/16-18 |
| 8 | 711744 | 2 | RETAINER 5/16 PUSH NUT BOLT |
| 9 | 3301447 | 1 | CLEVIS WITH PIN AND COTTER |
| 10 | 3301669 | 1 | PLUG-PLASTIC, 11/16 DIA |
| 12 | 3307614 | 1 | WELD-PIVOT SB LIFT |
| 13 | 3307846 | 1 | INSULATION-CONSOLE TOP |
| 14 | 3307847LH | 1 | INSULATION-DRIVER COMP SIDE, LH |
| 15 | 3337966 | 1 | CABLE- THROTTLE |
| 16 | 3323529 | 1 | PLUG-CARLING CONTURA SWITCH |
| 17 | 3333672 | 1 | SPACER-MB LIFT ROD |
| 18 | 3334984 | 1 | ROD-MAIN BROOM, LOWER |
| 19 | 3338296LH | 1 | WELD-ROD,MAIN BROOM, UPPER, ZP, LH |
| 20 | 3338297LH | 1 | WELD-ROD,SIDE BROOM, UPPER, ZP, LH |
| 21 | 3335112PLH | 1 | WELD-LIFT ARM, MAIN BROOM, LH |
| 22 | 3342905 | 1 | ASSY- INDICATOR LIGHT RED W/PACKARDTERMS |
| 23 | 3342905 | 1 | ASSY- INDICATOR LIGHT RED W/PACKARDTERMS |
| 24 | 715731 | 1 | ID PLATE-SERIAL# INFO |
| 25 | 3342705 | 1 | SWITCH-BASE, DPST CONTURA ROCKER |
| 26 | 3343912 | 1 | SW-ROCKER CONTURA DPDT ON-OFF |
| 28 | 711374 | 1 | NUT-NYLOC 5/16-18 |
| 29 | 3400084 | 1 | NUT-WING 1/2-13 |
| 30 | 3400087 | 4 | WASHER-FLAT 3/8 STANDARD ZP |
| 31 | 3400091 | 1 | WASHER-FENDER 1/2 ZP |
| 32 | 3400113 | 4 | PIN-CLEVIS 3/8x5-1/2 ZP |
| 33 | 3400125 | 4 | PIN-COTTER 3/8 RUE-RING |
| 34 | 3400185 | 2 | PIN-CLEVIS 5/16x1-1/4 |
| 35 | 3500118 | | EDGING-VINYL TRIM 1/8" X 250' (Sold Per Foot) |
| 36 | 650150BR | 1 | COVER BROOM ADJ, AM9D BURGUNDY |
| 37 | 3335003BRMLH | 1 | CONSOLE, AM9D, BURGUNDY, LH |
| 38 | 3301854 | 1 | DECAL-CAUTION, 5x4.50" |

SEAT, FLOOR PAN & TAIL LIGHT



| SEAT, FLOOR PAN & TAIL LIGHT | | | |
|---|-----------------|--------------|--|
| ITEM | PART NO. | REQ'D | DESCRIPTION |
| 1 | 3302482 | 4 | BUMPER-RUBBER, 1.5" DIA, 5/8 THK |
| 2 | 690543-1 | 1 | LIGHT ASSY, LED REAR COMBO (SET OF 2) |
| 3 | 3307587 | 1 | FLOOR MAT-SMALL |
| 4 | 3307588 | 1 | FLOOR MAT-LARGE |
| 5 | 3343413 | 1 | CAP-FUEL TANK |
| 8 | 623002 | 1 | SEAT STD W SEAT BELT |
| 8a | 711374 | 4 | NUT-NYLOC 5/16-18 ZP (NOT SHOWN) |
| | 3400088 | | WASHER-FLAT 5/16 X.688 X .065 ZP (NOT SHOWN) |
| | 3400207 | | SCR-HH 5/16-18 X 0.50 ZP GR 5 (NOT SHOWN) |
| 9 | 3309716P | 1 | PANEL-REAR COVER, 9X |
| 10 | 690830 | 1 | MNT-SEAT AM9D/9X |
| 11 | 3333733PLH | 1 | PLATE-ACCESS SEAT CLIP, 9X, LH |
| 12 | 3335010P | 1 | FUEL FILL, 9X |
| 13 | 3335027MLH | 1 | CLIP, SEAT 9X, DARK GRAY, LH |
| 14 | 3335033P | 1 | HINGE-UNIVERSAL SEAT MNT, 9X |
| 15 | 690402 | 1 | FLOOR BOARD - UPPER, LH |
| 16 | 3337388P | 1 | FLOOR BOARD - LOWER |
| 17 | 690757 | 1 | TAPE, REFLECTIVE, 5.5" |

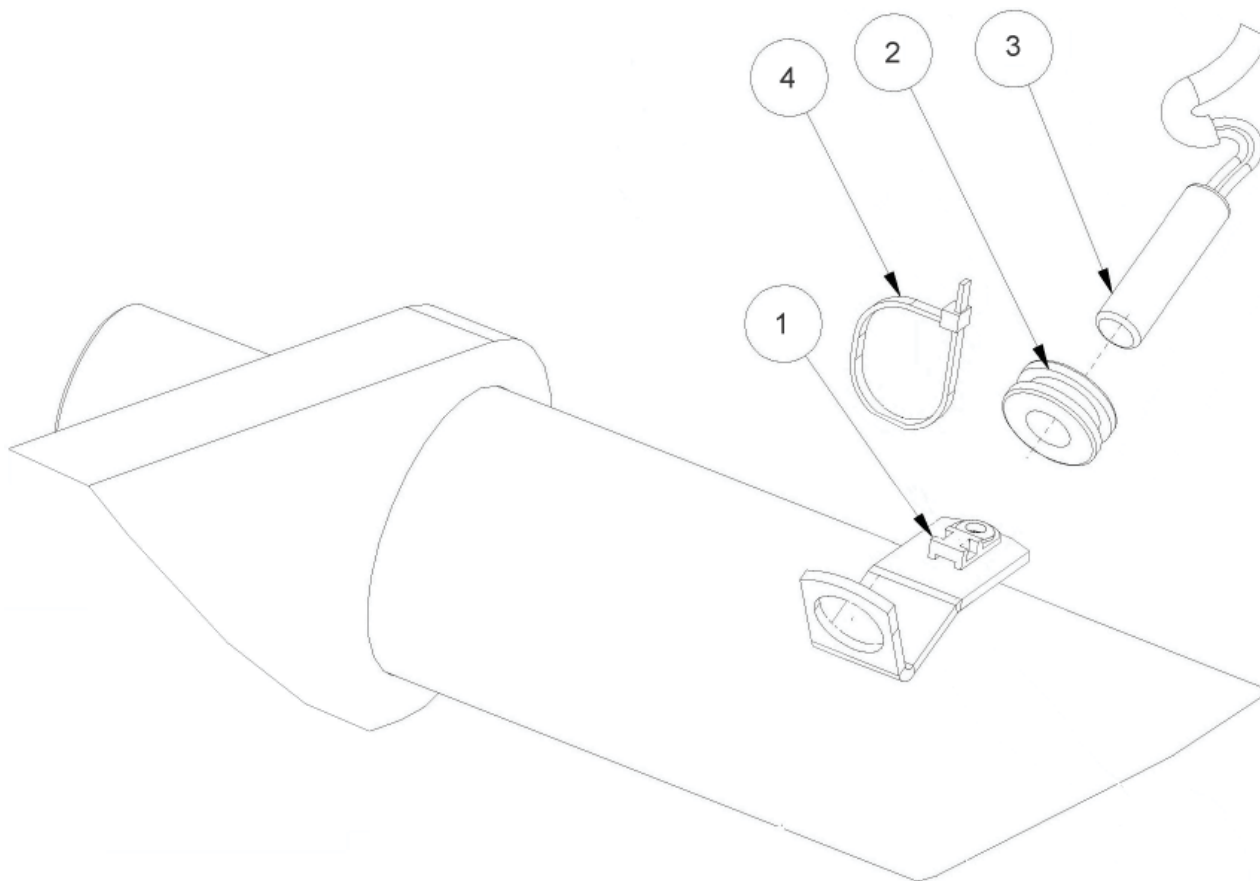
LIFT & ROTATION CYLINDERS, HYDRAULIC HOSES



LIFT & ROTATION CYLINDERS, HYDRAULIC HOSES

| ITEM | PART NO. | REQ'D | DESCRIPTION |
|------|------------|-------|--|
| 1 | 33LH | 4 | BEARING-1.12 ODx1.00 IDx.75 |
| 2 | 3334551P | 1 | LIFT ARM-UPPER RH 9X |
| 3 | 3400177 | 8 | BEARING-THRUST 2.06 IDx3.25 OD |
| 4 | 3300836 | 2 | BEARING-2.18 ODx2.00 IDx.75 |
| 6 | 3300882 | 4 | WASHER-HD 3.25 ODx2.00 ID |
| 7 | 3301709 | 4 | RING-RETAINING, EXT 2.00 DIA |
| 9 | 3316890 | 1 | CYLINDER-HYD, ROTATION HOPPER LIFT |
| 11 | 675420LH | 1 | HYD HOSE - NEED VALVE TO ROT CYL, LH |
| 12 | 675421LH | 1 | HYD HOSE - ROT CYL TO CONT VALVE, LH |
| 13 | 3336963P | 1 | HARNES - LIFT ARM |
| 14 | 3301998 | 6 | RING-RETAINING, EXT .940 DIA |
| 15 | 3307430 | 2 | PIN-UPPER LIFT ARM, .998 DIA, |
| 16 | 3400012 | 2 | FTG-GREASE 3/16 |
| 17 | 3307605P | 2 | ASSEMBLY-DUMP ARM MOUNT |
| 18 | 3307305MLH | 1 | LIFT ARM-HOPPER 9X DARK GRAY, LH |
| 19 | 3335285 | 1 | PIN, LIFT CYL, ROD END |
| 21 | 3343821LH | 1 | ASSY- SAFETY ARM W/ BALL JOINT, LH |
| 22 | 3307607 | 1 | PIN-ROTATION CYL, .998 DIA, |
| 24 | 3335361P | 1 | PIVOT-HOPPER LH |
| 25 | 3332416 | 1 | ARM-ROTATION (W/PRESSED BEARINGS #28) |
| 26 | 3307074 | 1 | ARM-HOPPER ROTATION (W/PRESSED BEARINGS #28) |
| 27 | 712162 | 8 | SCREW, SHCS 7/16-14 X 1-1/2 STEEL ZINC |
| 28 | 3300840 | 4 | BEARING-2.18 ODx2.00 IDx1.50 |
| 29 | 3401570-11 | 8 | WASHER-NORD-LOCK, 7/16, ZP |
| 30 | 3336997 | 1 | WELD - HOPPER ROTATE STOP |
| 31 | 3400449 | 3 | NUT-HEX JAM 1/2-20 ES |
| 32 | 3400326 | 3 | SCR-HH 1/2-20X1.25 GR 5 ZP |
| 33 | 3307606 | 1 | PIN-FRONT ROTATION CYL, .998 DIA, |
| 34 | 3317119 | 1 | ASSY- BLOCK ROTATION RH |
| 36 | 3317364P | 1 | PIVOT-HOPPER RH |
| 37 | 3400076 | 2 | NUT-HEX JAM SLOTTED, 1-14 |
| 38 | 3300879 | 2 | WASHER-HD 3.25 ODx1.00 ID |
| 39 | 3400122 | 2 | PIN-COTTER 1/8 X 2.00 ZP |
| 40 | 675507 | 2 | FTG-STR THD ELBOW -4 ORFS TO -4 SAE |
| 41 | 3334454P | 1 | LIFT ARM-UPPER LH 9X |
| 42 | 3400219 | 2 | SCR-SOC,5/16-18X0.50 ZP |
| 43 | 3400102 | 2 | WASHER-LOCK 5/16 SPLIT ZP |
| 44 | 3400278 | 4 | WASHER-FENDER 3/8 ZP |
| 45 | 3321377 | 2 | TOP-ROTATION CYL MNT ARMA |
| 46 | 711239 | 4 | SCR-HEX 3/8-16 X 1.00 GR8 ZP |
| 47 | 3307243 | 1 | ASSY, CYLINDER-HYD HOPPER LIFT |
| 48 | 675518 | 2 | FTG-STR THD ELBOW -6 ORFS TO -5 SAE |
| 49 | 675550 | 4 | FITTING ORIFICE .047 #6 |
| 50 | 3339955 | 1 | CLEVIS-LIFT ARM 1.0 DIA. PIN 1.00-14 TD |

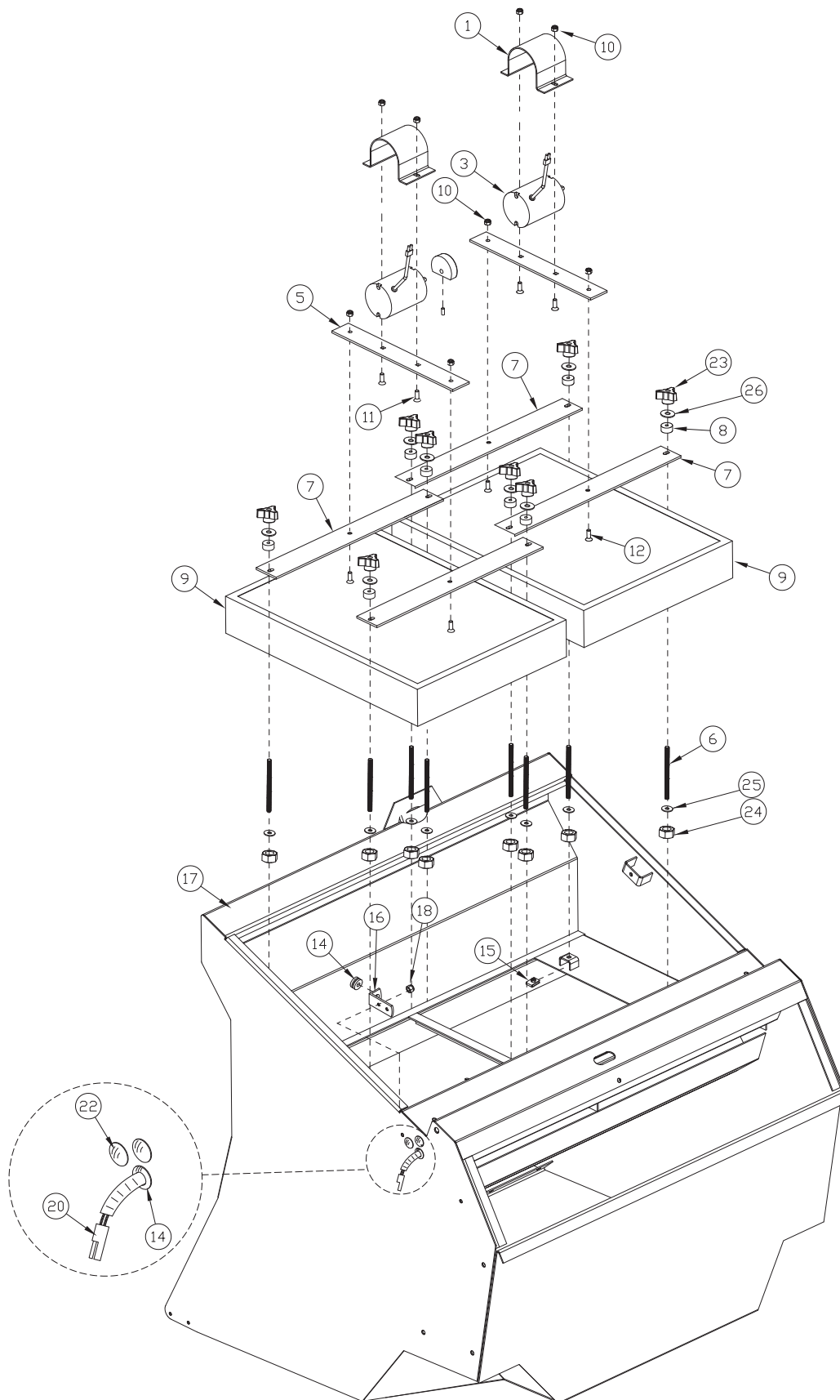
RTR SWITCH DETAIL LIFT ARM



| RTR SWITCH DETAIL LIFT ARM | | | |
|-----------------------------------|-----------------|--------------|----------------------------------|
| ITEM | PART NO. | REQ'D | DESCRIPTION |
| 1 | 3302472 | 1 | MOUNT-WIRE TIE LOW PROFILE |
| 2 | 3311564 | 1 | GROMMET-RUBBER, 1/2 ID |
| 3 | 3336963P | 1 | HARNESS - LIFT ARM, ARMA TIER II |
| 4 | 828062-B | 1 | TIE-WIRE BLACK |

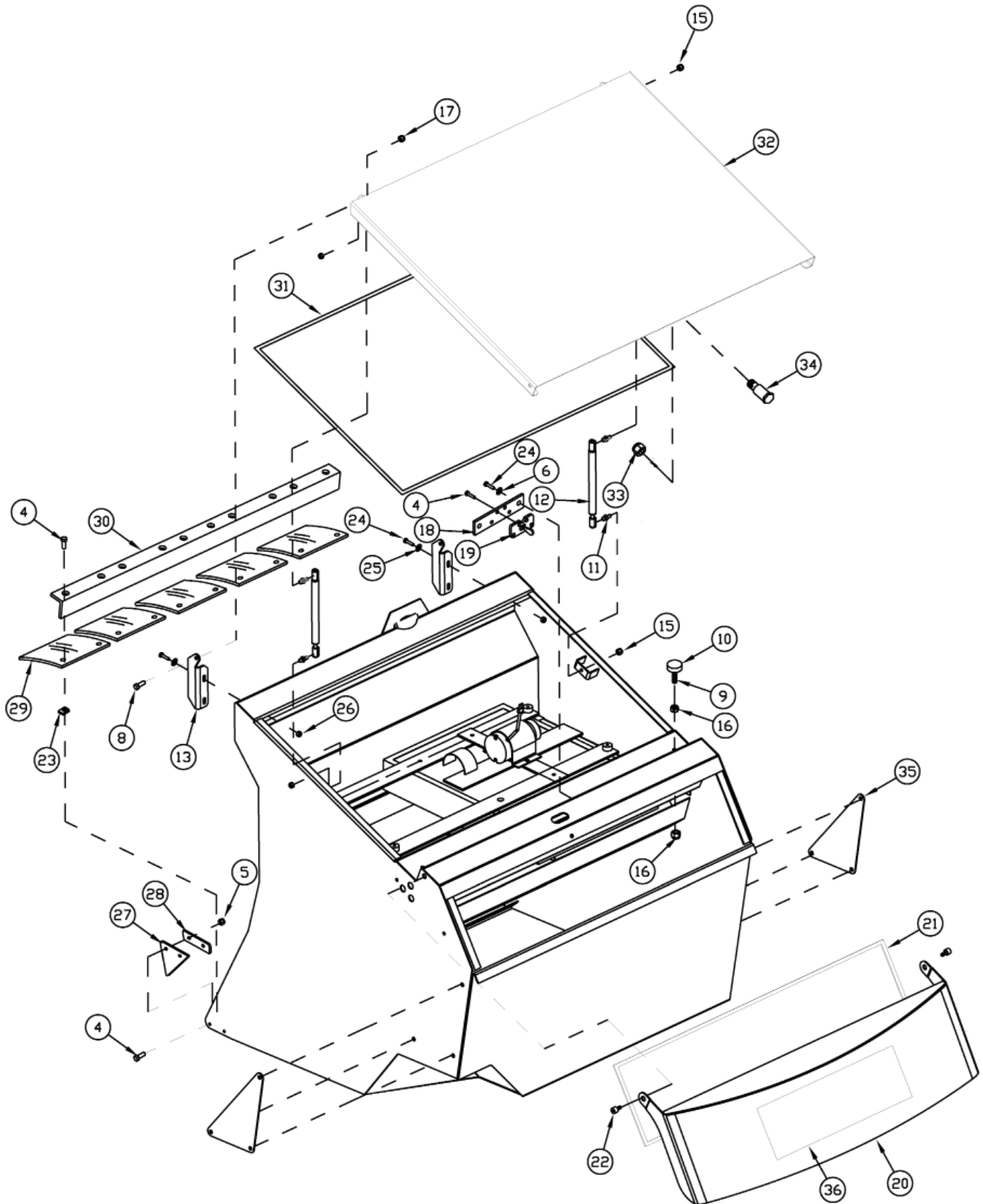
THIS PAGE IS INTENTIONALLY LEFT BLANK

HOPPER - FILTER AND SHAKER MOTOR COMPONENTS



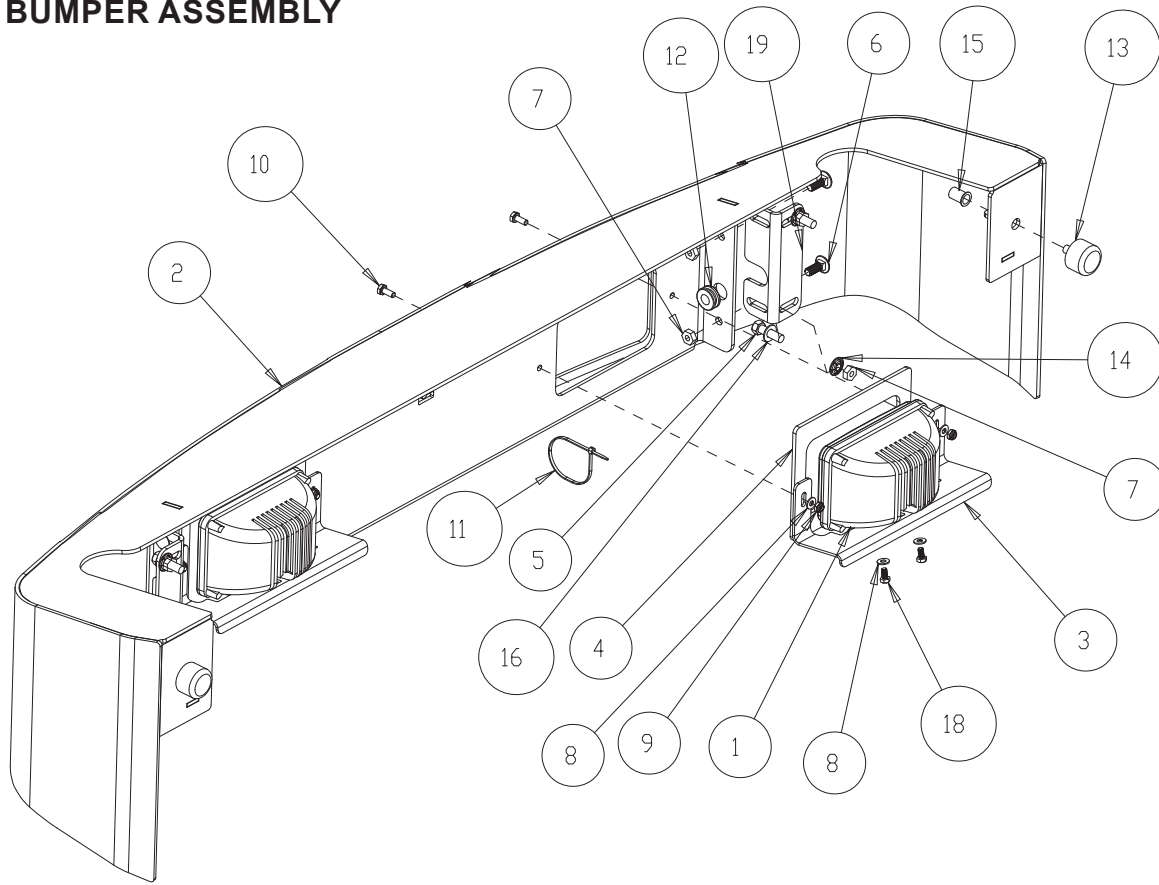
| HOPPER - FILTER AND SHAKER MOTOR COMPONENTS | | | |
|--|-----------------|--------------|---|
| ITEM | PART NO. | REQ'D | DESCRIPTION |
| 1 | 750073 | 2 | BRACKET SHAKER MOTOR |
| 3 | 748149-1 | 2 | ASSY, SHAKER MOTOR W/CONNECTOR |
| 5 | 3300917 | 2 | BAR-FILTER RETAINER |
| 6 | 3334676 | 8 | ROD-5/16-18x4.63, FILTER TIE DOWN |
| 7 | 3300919 | 4 | BAR-FILTER SHAKER |
| 8 | 3307850 | 8 | ISOLATOR-RUBBER, .25IDx1ODx.50THK, SW/A |
| 9 | 3334070 | 2 | FILTER-POLYESTER HOPPER 9XR (31x24x3.19) |
| 10 | 711374 | 8 | NUT-NYLOC 5/16-18 |
| 11 | 70-516-16 | 4 | BLT-CARR 5/16-18 X 1 ZINC |
| 12 | 3400329 | 4 | SCR-FLT,5/16-18X.75,SLT ZP |
| 14 | 3311564 | 3 | GROMMET-RUBBER, 1/2 ID |
| 15 | 832829 | 8 | NUT-U TYPE 5/16-18 |
| 16 | 3336778 | 1 | BRACKET- FOR SWITCH BALL (# 2 RTR LIGHT) |
| 17 | 690483-SBR | 1 | HOPPER, AM9D, DUAL FILTER, ORANGE |
| 18 | 3400484 | 1 | RIVET-AVDEL 3/16 X .602 |
| 20 | 3336964P | 1 | HARNESS - HOPPER, ARMA |
| 22 | 3330356 | 2 | PLUG-PLASTIC HOLE, 3/4, 7 GA |
| 23 | 210118 | 8 | KNOB-3 SIDED 5/16 NYLOC |
| 24 | 3400070 | 8 | NUT-HEX 5/16-18 ZP GR 5 |
| 25 | 3400102 | 8 | WASHER-LOCK 5/16 SPLIT ZP |
| 26 | 3400233 | 8 | WASHER-FENDER 5/16 X 1.00 ZP |

HOPPER - COVER AND LATCH COMPONENTS



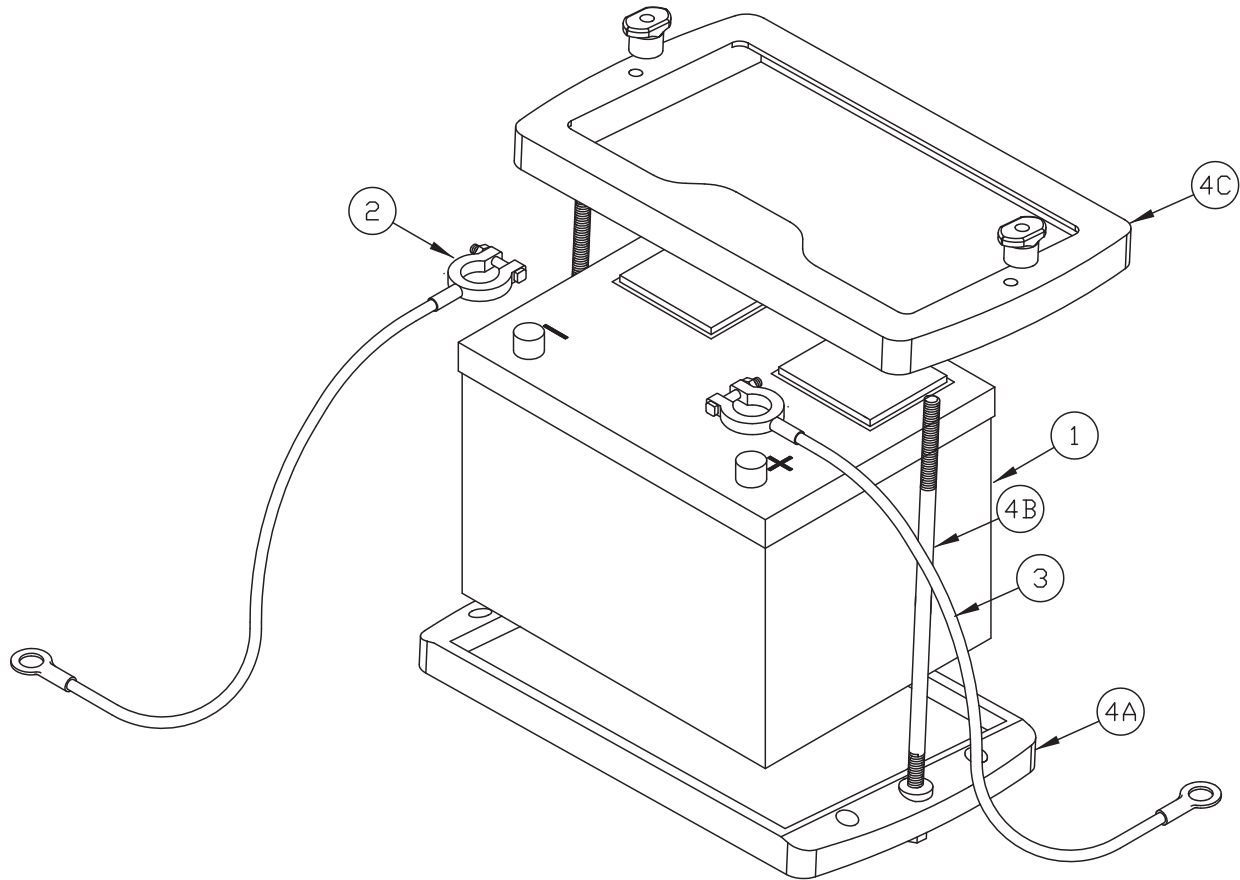
| HOPPER - COVER AND LATCH COMPONENTS | | | |
|--|-----------------|--------------|--|
| ITEM | PART NO. | REQ'D | DESCRIPTION |
| 4 | 3400059 | 20 | SCR-THM 1/4-20 X .75 SS |
| 8 | 3400052 | 2 | SCR-SHOULDER 5/16 DIA X 1/4 ZP |
| 9 | 3400355 | 2 | SCR-LEVEL BOLT, 3/8-16x2.50 |
| 10 | 3304624 | 2 | CAP-RUBBER BUMPER, (USED WITH #10 ABOVE) |
| 11 | 3300376 | 4 | STUD-BALL, GAS SPRING, 5/16-18 THRD, .391 DIA. |
| 12 | 3305006 | 2 | SPRING-GAS 5" STROKE, 14.5" EXTENDED (100 LBF) |
| 13 | 3307469 | 2 | HINGE-FILTER COVER, , |
| 15 | 3400070 | 4 | NUT-HEX 5/16-18 ZP |
| 16 | 711439 | 2 | NUT-FLANGED WIZZ 3/8-16 |
| 17 | 3401021 | 2 | NUT-HEX ELASTIC JAM 1/4-20 #8 ZP |
| 18 | 3307468 | 1 | BAR-FILTER LATCH, , |
| 19 | 3307247 | 1 | LATCH-RH BROOM DOOR |
| 20 | 3316862BRM | 1 | LID-HOPPER AM9D BURGUNDY |
| 21 | 3318739 | 120" | WEATHERSTRIPPING-RUBBER SPONGE |
| 22 | 3400170 | 2 | SCR-HSS 1/2x.31, |
| 23 | 3301146 | 10 | CLIPNUT-1/4-20 ZP |
| 24 | 3400059 | 4 | SCR-THMS 1/4-20 X .75 SS SLOTTED |
| 25 | 3400384 | 4 | WASHER-CONICAL SPRING 5/16 |
| 26 | 711379 | 4 | NUT-FLANGED WIZZ 5/16-18 |
| 27 | 3307842 | 2 | FLAP-HOPPER SIDE |
| 28 | 3307843 | 2 | RETAINER-FLAP HOPPER SIDE |
| 29 | 3307720 | 5 | FLAP-HOPPER FRONT |
| 30 | 3307721 | 1 | RETAINER-HOPPER FLAP |
| 31 | 3500198 | 134" | SEAL-TRIM 90 DEG. MOUNT |
| 32 | 3307460BRM | 1 | HOOD-HOPPER AM9D , BURGUNDY |
| 33 | 3400394 | 1 | NUT-FLANGE LOCK 7/16-14 |
| 34 | 3338592 | 1 | BOLT-STRIKER .675 (17.1mm) DIA. |
| 35 | 3307743 | 2 | PLATE HOPPER BACKING |
| 36 | 3334900 | 1 | DECAL-"POWERBOSS" LOGO |

FRONT BUMPER ASSEMBLY



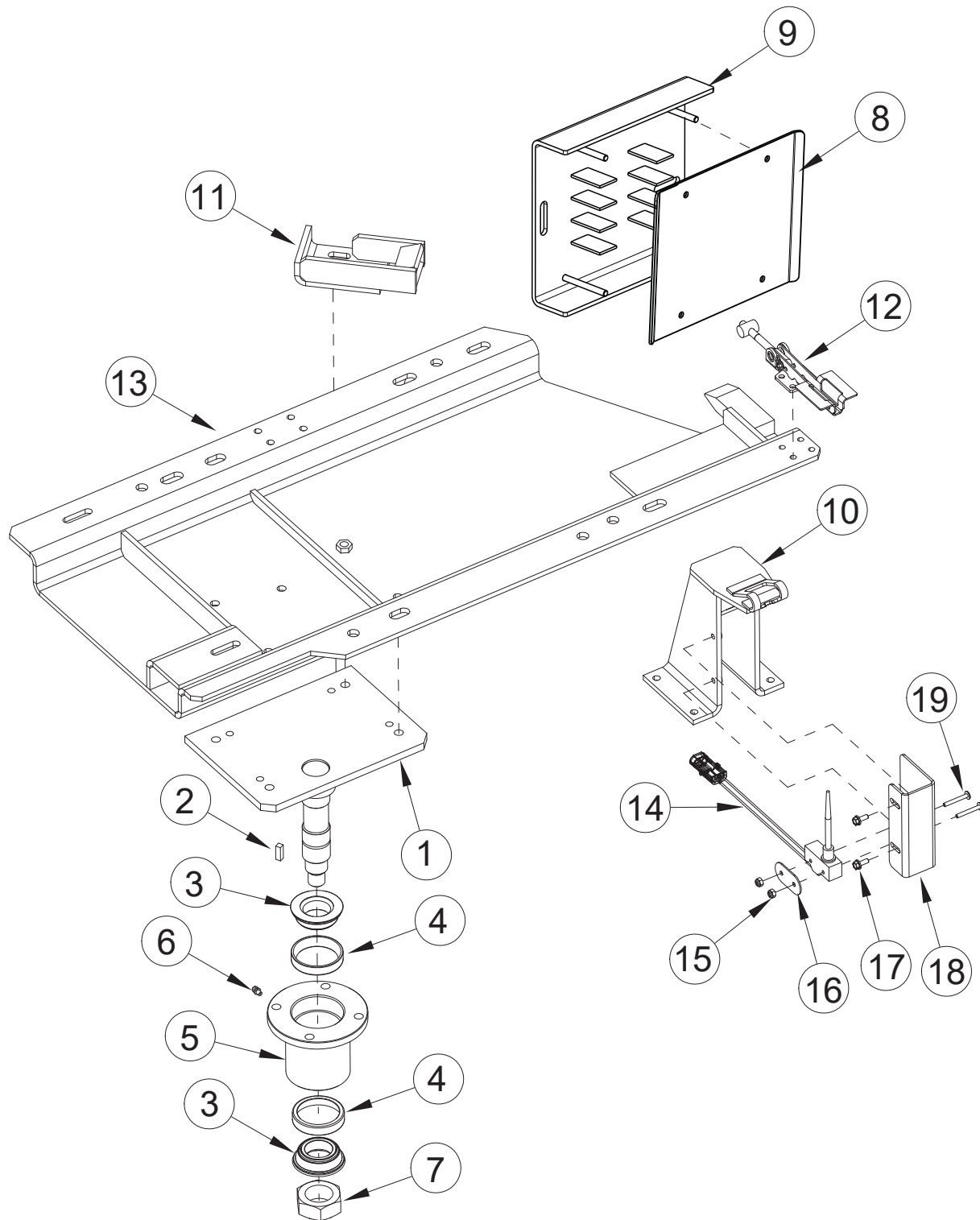
| FRONT BUMPER ASSEMBLY | | | |
|-----------------------|----------|-------|--|
| ITEM | PART NO. | REQ'D | DESCRIPTION |
| 1 | 690082-1 | 2 | HEADLIGHT ASSY, OLS 6X4 LED |
| 2 | 690493 | 1 | BUMPER, FRONT - 9X (CURVED VERSION) |
| 3 | 690525 | 2 | BRKT, HEADLIGHT MOUNT - 9X, 6X |
| 4 | 690526 | 2 | GASKET, HEADLIGHT MOUNT - 9X, 6X |
| 5 | 711250 | 4 | SCR-HH 3/8-16 X 1.25 ZP GR 5 |
| 6 | 711253 | 4 | BLT-CARR 3/8-16 X 1.00 ZP GR 5 |
| 7 | 711439 | 8 | NUT-FLANGED WIZZ 3/8-16 ZP |
| 8 | 711504 | 8 | WASHER-FLAT 1/4 SS |
| 9 | 711688 | 4 | NUT-JAM 1/4-20 NYLOC SS |
| 10 | 713001 | 4 | SCR-HH 1/4-20 X .62 PLAIN GR 5 |
| 11 | 828062-B | 1 | CABLE TIE-LARGE (BLACK) |
| 12 | 3311564 | 1 | GROMMET-RUBBER, 1/2 ID |
| 13 | 3316871 | 2 | BUMPER-RUBR 1.50" DIAx1" THK 3/8-16 STUD |
| 14 | 3316981 | 4 | NUT-PUSH RETAINER 3/8 BOLT, 25/32 OD ZP |
| 15 | 3322186 | 2 | INSERT-3/8-16 UNC |
| 16 | 3400385 | 4 | WASHER-CONICAL SPRING 3/8 |
| 17 | 3401390 | 0.003 | LOCTITE 242 (50 ML) |
| 18 | 11038064 | 4 | BLT-HH M6 X 1.0 X 12 STL ZD 8.8 DIN 933 |
| 19 | 3337303P | 2 | PLT-MOUNT, BUMPER, AM9D |

BATTERY COMPONENTS



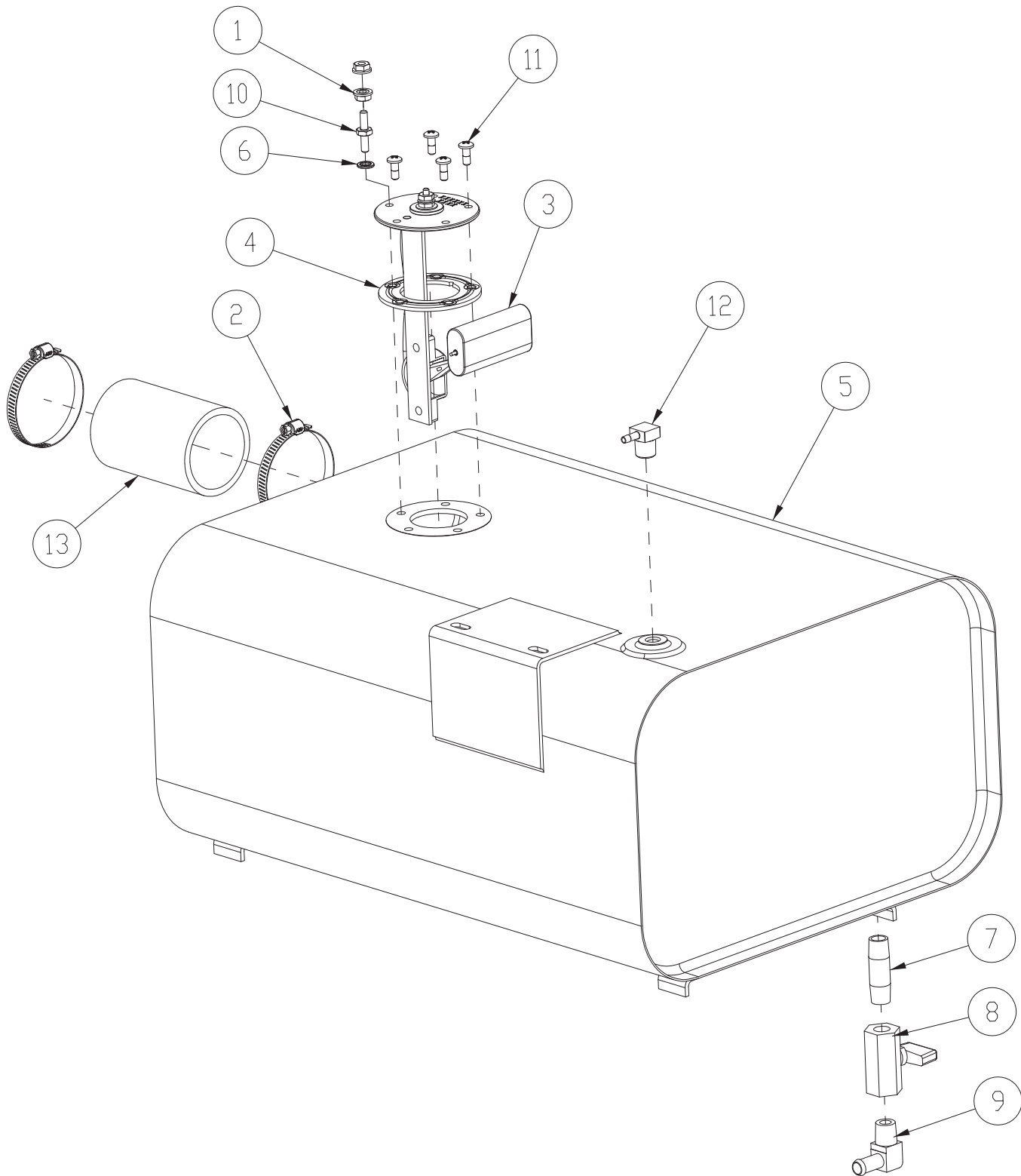
| BATTERY COMPONENTS | | | |
|---------------------------|-----------------|--------------|--------------------------------|
| ITEM | PART NO. | REQ'D | DESCRIPTION |
| 1 | 3300440 | 1 | BATTERY-GAS/DIESEL 12V 650 CCA |
| 2 | 748543 | 1 | BATTERY CABLE-NEGATIVE |
| 3 | 748542 | 1 | BATTERY CABLE-POSITIVE |
| 4 | 690250 | 1 | TRAY- BATTERY, 24 SERIES |

ENGINE PAN, HYDRAULIC HOSE RETAINER & LATCH



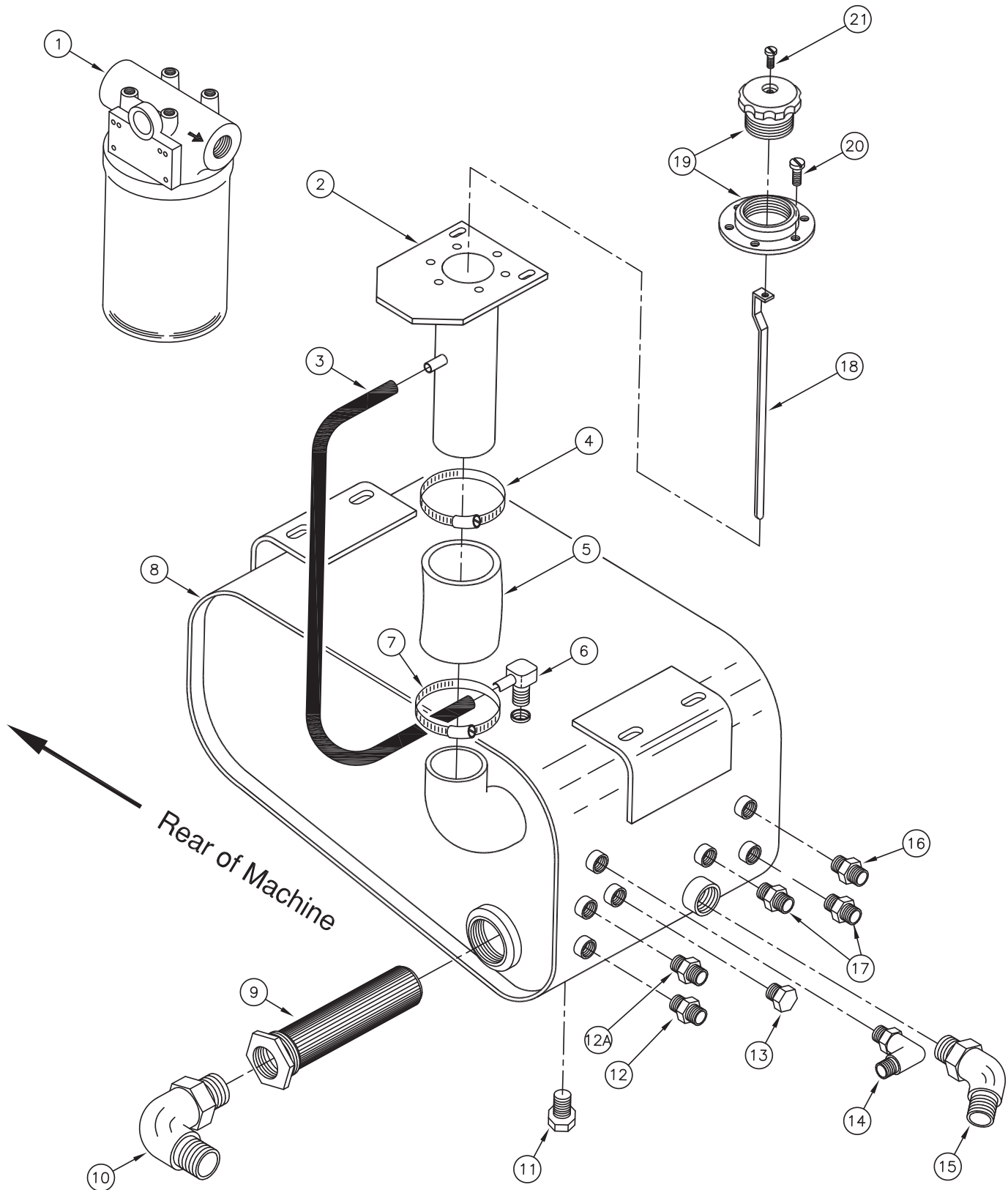
| ENGINE PAN, HYDRAULIC HOSE RETAINER & LATCH | | | |
|--|-----------------|--------------|---------------------------------|
| ITEM | PART NO. | REQ'D | DESCRIPTION |
| 1 | 690400 | 1 | WELDMENT-ENGINE PIVOT, LH |
| 3 | 3300471 | 1 | BEARING-TAPERED ROLCONE W/SEAL |
| 4 | 3300470 | 1 | BEARING-TAPERED ROL CUP |
| 5 | 3307326 | 1 | BEARING MOUNT-ENGINE PIVOT |
| 6 | 3400012 | 1 | FTG-GREASE, φ3/16 |
| 7 | 3400083 | 1 | NUT-HEX JAM, 1 1/4-12 ES |
| 8 | 690503 | 1 | COVER-HOSE RETAINER SHORT |
| 9 | 690500 | 1 | HOSE RETAINER SW/A |
| 10 | 3335208 | 1 | WELDMENT-ENGINE CATCH OUTER |
| 11 | 3335183LH | 1 | WELDMENT-ENGINE CATCH INNER, LH |
| 12 | 3337544 | 1 | LATCH - ENGINE SWING |
| 13 | 3334994MLH | 1 | WELD-ENGINE PAN, LH |

FUEL TANK GASOLINE AND DIESEL



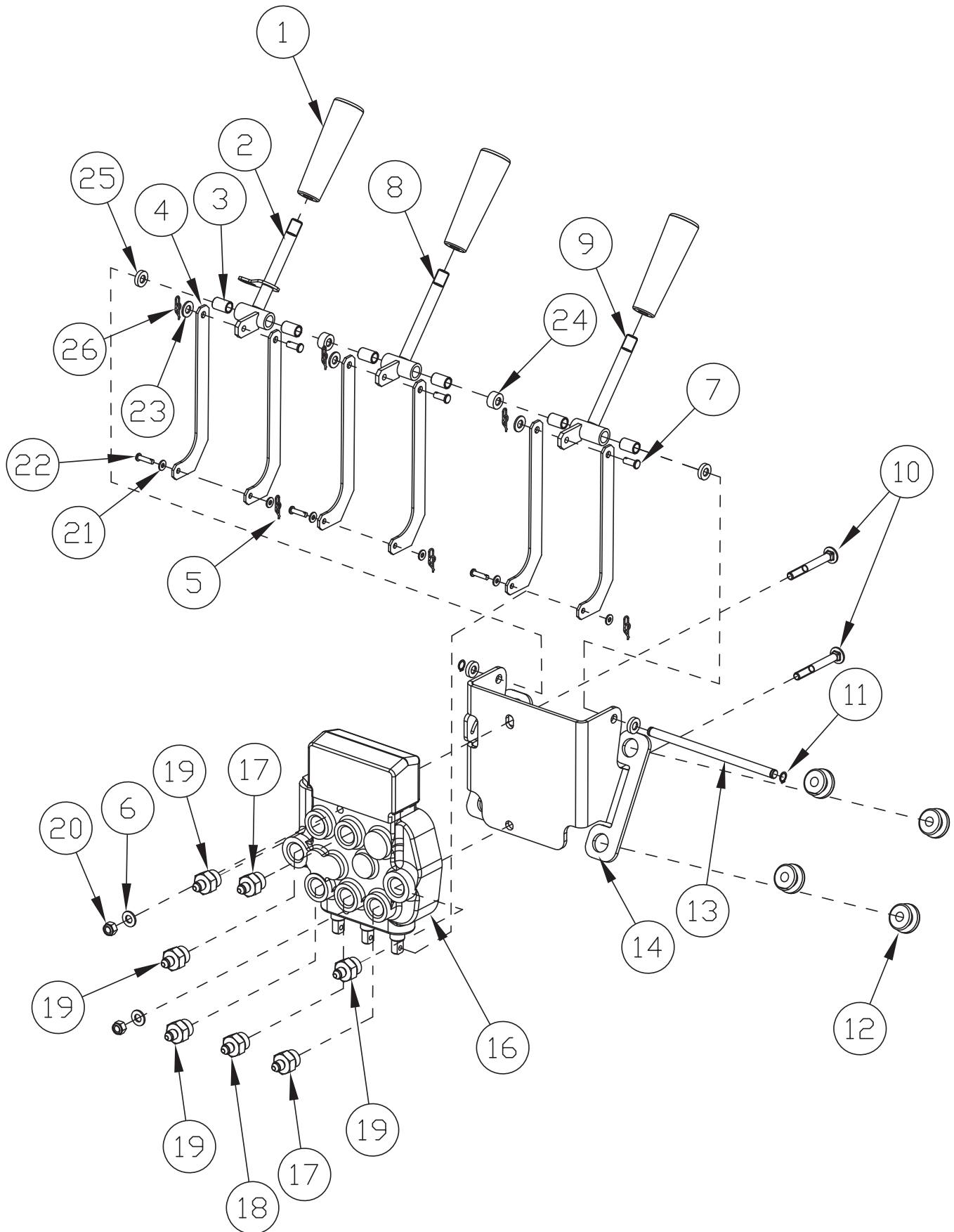
| FUEL TANK GASOLINE AND DIESEL | | | |
|--------------------------------------|-----------------|--------------|---|
| ITEM | PART NO. | REQ'D | DESCRIPTION |
| 1 | 711427 | 2 | NUT-FLANGED WIZZ 10-32 |
| 2 | 3044112 | 2 | CLAMP-HOSE, SS, 2.50 MAX |
| 3 | 3300388 | 1 | SENDER-FUEL SHORT (5 INCH) |
| 4 | 811023 | 1 | GASKET, SENDER |
| 5 | 3307575LH | 1 | TANK-FUEL, 7.64 US GAL, LH |
| 6 | 3337019 | 1 | SEAL - #10 BONDED NITRILE WASHER |
| 7 | 3400498 | 1 | FTG-BRASS NIPPLE, 1/4 NPTx2.0 LG |
| 8 | 3400499 | 1 | VALVE-MINATURE 1/4 FPT BALL |
| 9 | 3400793 | 1 | FTG-90 3/8 BARBx1/4 NPT |
| 10 | 3401579 | 1 | SCR - HEX STANDOFF, 2X 10-32X.50 LG |
| 11 | 3401636 | 4 | SCR, PPH, 10-32 X .50, W/O-RING 18-8 SS |
| 12 | 3402022 | 1 | FTG-90 1/4 MPT X 1/4 HOSE BARB |
| 13 | 3500221 | 1 | HOSE-2" ID STRAIGHT RAD. |
| 14 | 3307731 | 1 | FUEL TANK STRAP (NOT SHOWN) |

HYDRAULIC RESERVOIR ASSEMBLY



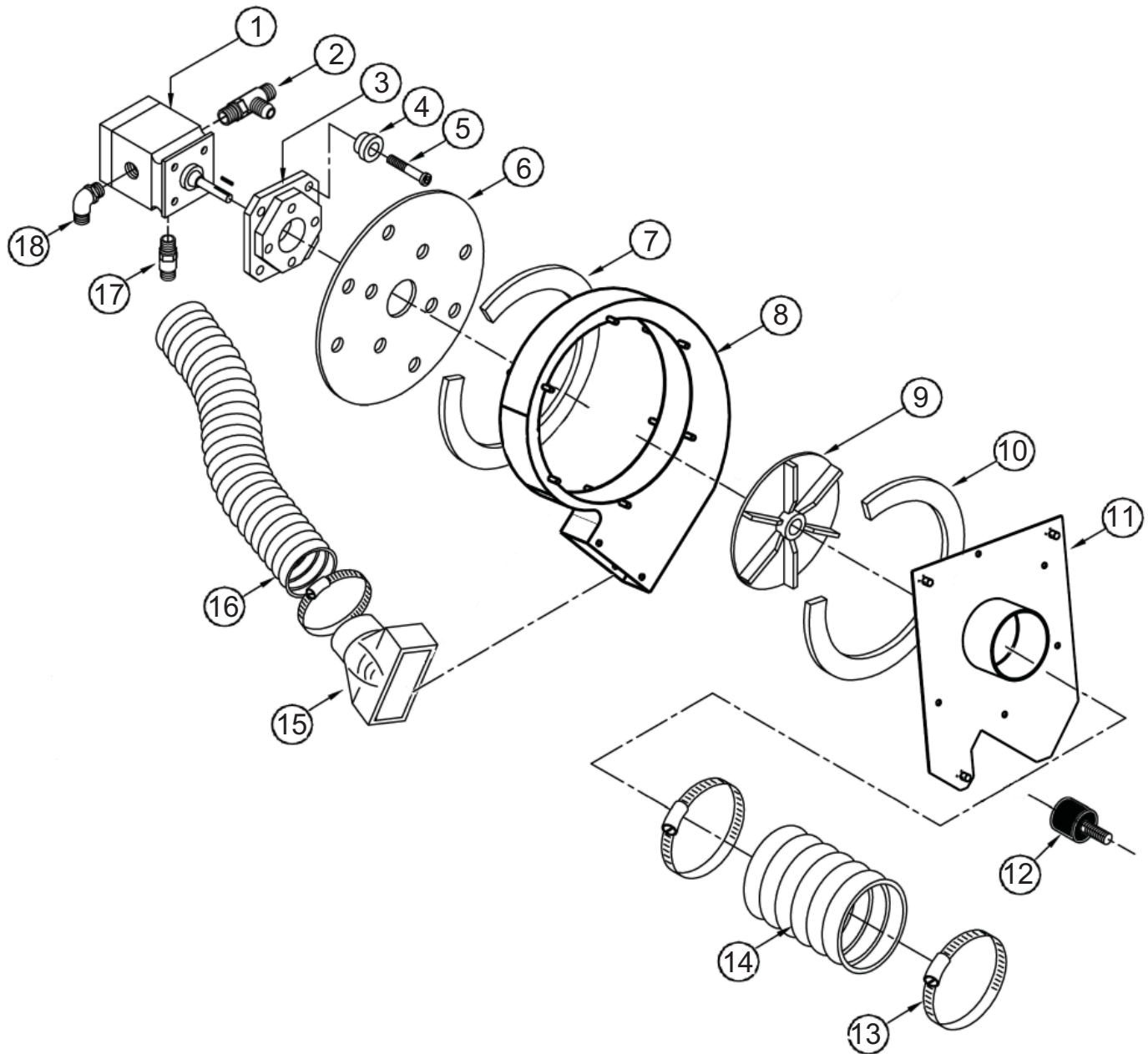
| HYDRAULIC RESERVOIR ASSEMBLY | | | |
|------------------------------|-----------|-------|---|
| ITEM | PART NO. | REQ'D | DESCRIPTION |
| 1 | 3300358 | 1 | SUB-HYD FILTER SW/9X (FILTER, MOUNT & FITTINGS) |
| - | 3300359 | 1 | FILTER-HYDRUALIC OIL (FILTER ONLY) |
| - | 3304899 | 1 | FTG-ADAPTER, 3/4-16 TO 1/2 OD TUBE (NOT SHOWN) |
| - | 3400167 | 1 | FTG-ADAPTER, 1 1/6-12 EXT TO (NOT SHOWN) |
| - | 3400632 | 1 | FTG-ADAPTER, RUN TEE 1-1/16-12 (NOT SHOWN) |
| - | 3400636 | 1 | FTG-ADAPTER, SWIVEL NUT 90° ELBOW (NOT SHOWN) |
| 2 | 3310072 | 1 | WELDMENT-HYD FILL TUBE |
| 3 | 3500137 | 1 | HOSE-1/8 ID EEC-PCV |
| 4 | 3044112 | 1 | CLAMP-HOSE, SS, 2.50 MAX WORM |
| 5 | 3303577 | 1 | HOSE-RUBBER, 2.00IDx3.50 LG |
| 6 | 3307778 | 1 | FTG-90° 1/8MPTx1/4 BARB |
| 7 | 3044112 | 1 | CLAMP-HOSE, SS, 2.50 MAX WORM |
| 8 | 3335527LH | 1 | RESERVOIR-HYDRAULIC, 7.5 US GA, LH |
| 9 | 3343836 | 1 | STRAINER-HYDRAULIC TM-14 |
| 10 | 675506 | 1 | FTG-STR THD ELBOW -16 ORFS TO -20 SAE |
| 11 | 3400164 | 1 | FTG-PLUG 3/4-16 O RING |
| 12 | 675521 | 1 | FTG-STR THD CONNECTOR -6 ORFS TO -8 SA |
| 12A | 675524 | 1 | FTG-STR THD CONNECTOR -8 ORFS TO -8 SA |
| 13 | 3400453 | 1 | FTG-PLUG 9/16-18 O-RING STEEL |
| 14 | 675510 | 1 | FTG-STR THD CONNECTOR -5 ORFS TO -4 SA |
| 15 | 675504 | 1 | FTG-45 DEG STR ELBOW -12 ORFS TO -16 SA |
| 16 | 675519 | 1 | FTG-STR THD CONNECTOR -6 ORFS TO -5 SA |
| 17 | 675510 | 2 | FTG-STR THD CONNECTOR -5 ORFS TO -4 SA |
| 18 | 3307580 | 1 | DIPSTICK-HYD RESEVOIR |
| 19 | 3305576 | 1 | ASSEMBLY-HYD OIL FILTER BREATHER |
| 20 | 3400044 | 6 | SCR-HEX,#10-32X0.75 |
| 21 | 3400045 | 1 | SCR-PAN,#8-32X0.62,SLT |

HYDRAULIC CONTROL VALVE DETAIL



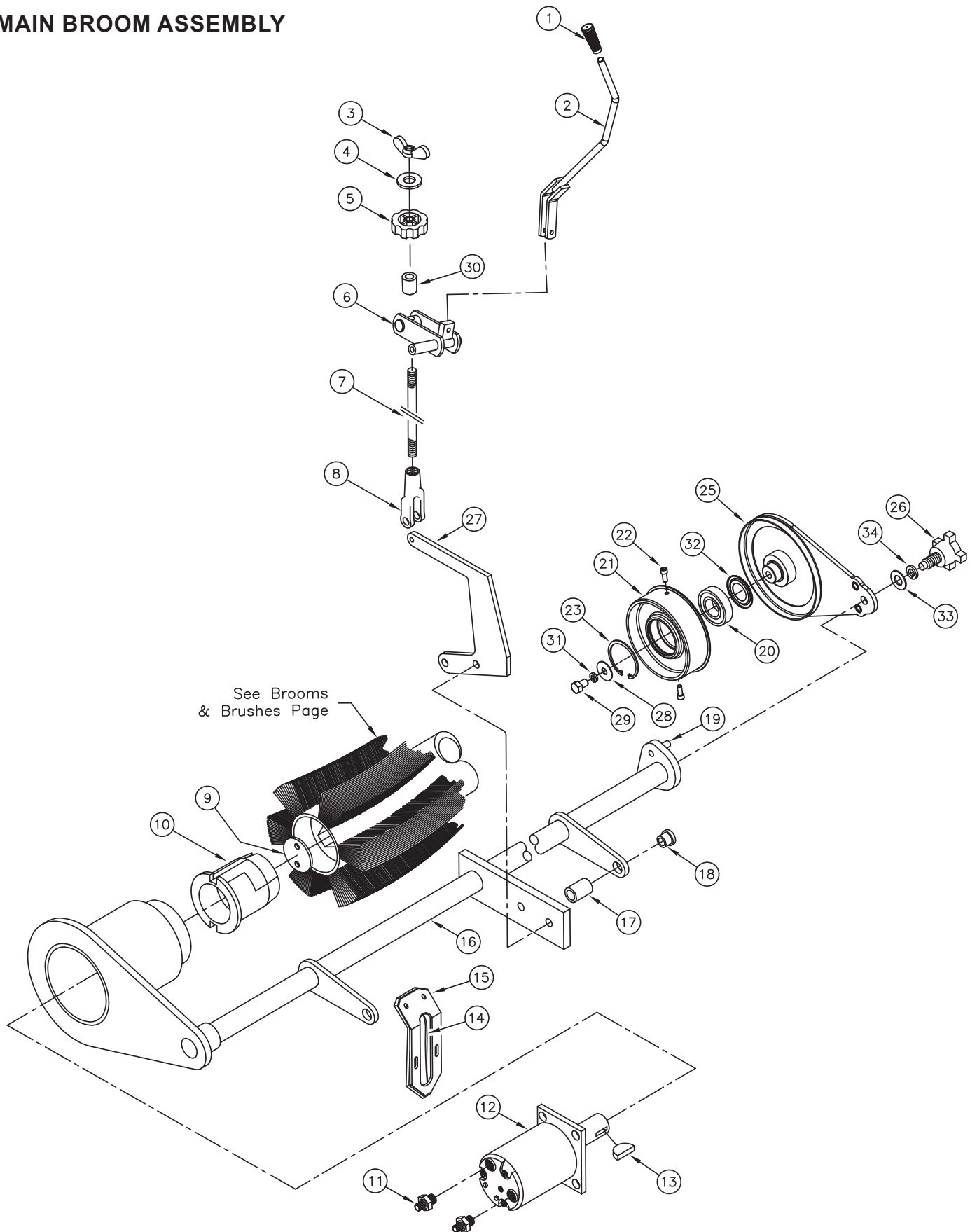
| HYDRAULIC CONTROL VALVE DETAIL | | | |
|---------------------------------------|-----------------|--------------|--|
| ITEM | PART NO. | REQ'D | DESCRIPTION |
| 1 | 600263 | 3 | HANDLE GRIP |
| 2 | 3338603 | 1 | WELD - HANDLE CONT VLV 3 |
| 3 | 3303996 | 6 | BEARING-PLASTIC 1/2X3/8X.75 LG |
| 4 | 3338456P | 6 | LINK - HYD VALVE - P |
| 5 | 3400125 | 3 | RING-RUE 3/8 |
| 6 | 3400088 | 2 | WASHER-FLAT 5/16 X.688 X .065 ZP |
| 7 | 3400425 | 3 | PIN-CLEVIS 1/4 X 5/8 ZP |
| 8 | 3338458 | 1 | WELD - HANDLE CONT VLV 2 |
| 9 | 3338603 | 1 | WELD - HANDLE CONT VLV 1 |
| 10 | 3400466 | 1 | SCR-HH 5/16-18 X 2.50 ZP GR 5 |
| 11 | 711724 | 2 | RET RING-EXT 3/8 |
| 12 | 3300465 | 4 | ISOLATOR-RUBBER (.375ID X .81OD) |
| 13 | 3300884 | 1 | ROD-PIVOT CONTROL VALVE PLTD |
| 14 | 3338455 | 1 | MNT - HYD. SPOOL VALVE |
| 16 | 3338213 | 1 | VALVE-3 SPOOL SWEEPER(SEE NOTE) |
| 17 | 675513 | 2 | FTG-ORFS STR THD -4 -8 SAE |
| 18 | 690006 | 1 | FTG-ORFS STR THD -4 -8 SAE /.043 ORIFICE |
| 19 | 675524 | 4 | FTG-ORFS STR THD -8 -8 SAE |
| 20 | 711374 | 2 | NUT-NYLOC 5/16-18 ZP |
| 21 | 3400088 | 3 | WASHER-FLAT 5/16 X.688 X .065 ZP |
| 22 | 450034 | 3 | PIN-CLEVIS 5/16 X .75 ZP |
| 23 | 3400089 | 3 | WASHER-FLAT 1/4 ZP |
| 24 | 690015 | 2 | BUSHING, VALVE BODY, 3/8IDX5/8ODX1/4L |
| 25 | 711569 | 4 | WASHER-FLAT .390 X .880 X .062 NYL |
| 26 | 3400742 | 3 | RING-RUE 1/4 ZP |

IMPELLER ASSEMBLY



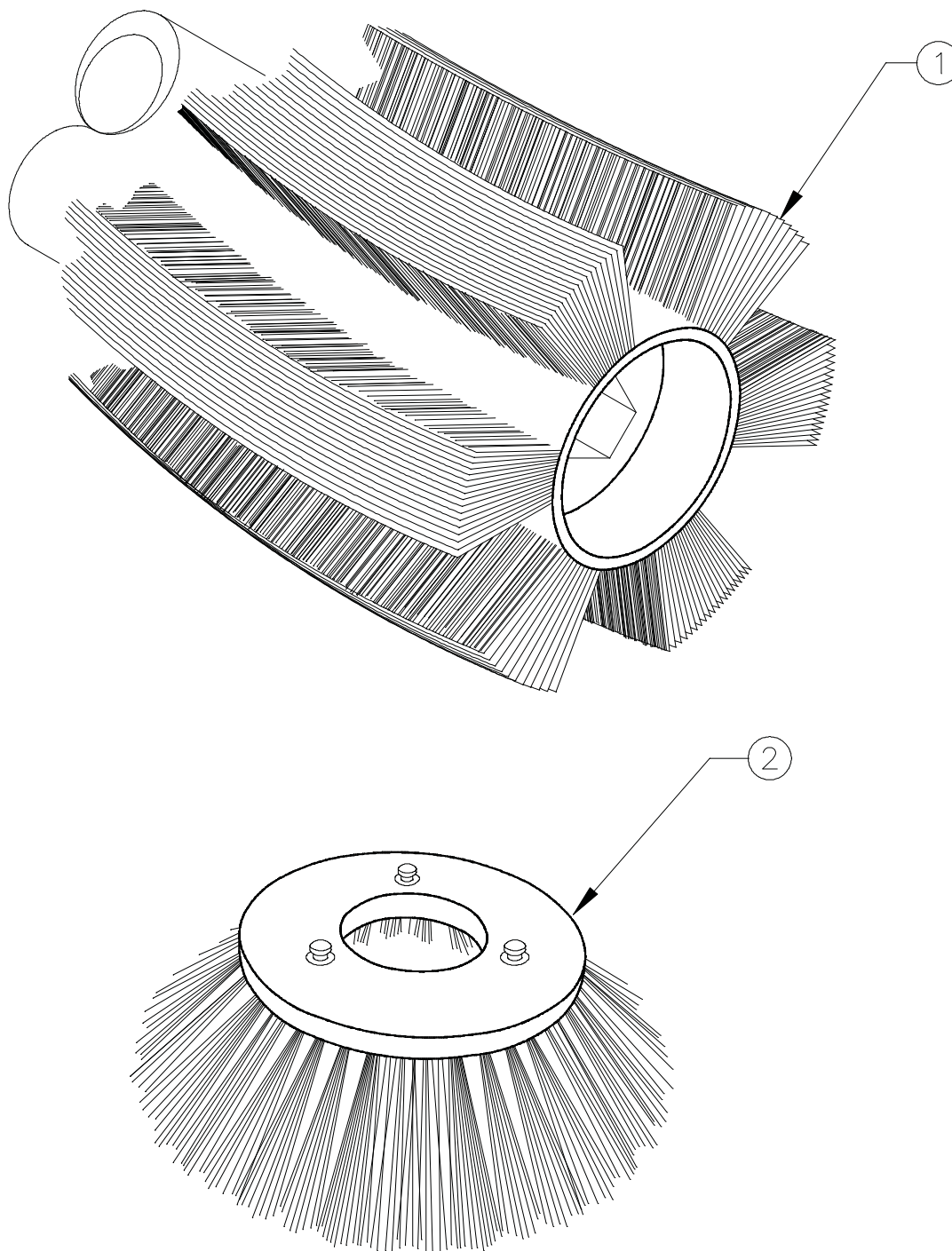
| IMPELLER ASSEMBLY | | | |
|--------------------------|-----------------|--------------|---|
| ITEM | PART NO. | REQ'D | DESCRIPTION |
| 1 | 3316832LH | 1 | MOTOR-HYDRAULIC, .323CI, CCW ROTATION, IMPELLER, LH |
| | 3337905 | 1 | SEAL KIT IMPELLER MOTOR |
| 2 | 675525 | 2 | FTG-STR THD RUN TEE -8 ORFS TO -8 SAE |
| 3 | 3307152 | 1 | MOUNT-IMPELLER MOTOR |
| 4 | 3300465 | 4 | ISOLATOR-RUBBER, .375 IDx.81 OD |
| 5 | 3400028 | 4 | SCR-HEX 3/8-16x1.50" |
| 6 | 3322121 | 1 | MOUNT-IMPELLER MOTOR, CIRCULAR |
| 7 | 3335458 | 2.5' | GASKET-TOP IMPELLAR, ARMA |
| 8 | 3307004 | 1 | SHROUD-IMPELLER, |
| 9 | 3307003 | 1 | IMPELLER-8.88" DIA, ARMA BALANCED |
| 10 | 3335459 | 2.5' | GASKET-BOTT IMPELLAR, ARMA |
| 11 | 3335192LH | 1 | IMPELLER MOUNT, ARMA, LH |
| 12 | 3333915 | 3 | ISOLATOR-RUBBER, φ1.5x1" LG, 3/8-16 THREAD |
| 13 | 3300351 | 3 | CLAMP-HOSE, 4.5" DIA, SS |
| 14 | 3307767 | 1 | HOSE-IMPELLER, φ4"x7.5" LONG |
| 15 | 3315347 | 1 | TRANSITION-PLASTIC IMPELLER EXHAUST |
| 16 | 3318203 | 1 | HOSE-IMPELLER EXHAUST, 3.5"IDx62" LONG |
| 17 | 675508 | 1 | FTG-STR THD CONNECTOR -4 ORFS TO -4 SA |
| 18 | 675523 | 1 | FTG-STR THD ELBOW -8 ORFS TO -8 SAE |

MAIN BROOM ASSEMBLY



| MAIN BROOM ASSEMBLY | | | |
|----------------------------|-----------------|--------------|---|
| ITEM | PART NO. | REQ'D | DESCRIPTION |
| 1 | 600263 | 1 | HANDLE GRIP |
| 2 | 3338296LH | 1 | WELD-ROD,MAIN BROOM, UPPER, 9X,ZP |
| 3 | 3400084 | 1 | NUT-WING 1/2-13 |
| 4 | 3400091 | 1 | WASHER-FENDER 1/2 |
| 5 | 3300352 | 1 | KNOB-MAIN BROOOM LIFT ADJUST |
| 6 | 3335112PLH | 1 | WELDMENT-MAIN BROOM PIVOT LIFT |
| 7 | 3334984 | 1 | ROD-LIFT MAIN BROOM |
| 8 | 3301447 | 1 | CLEVIS-CABLECRAFT AC-218 |
| 9 | 3301285 | 1 | RETAINER-MAIN BROOM DRIVER HUB |
| 10 | 3301050P | 1 | HUB-MAIN BROOM DRIVE |
| 11 | 675523 | 1 | FTG-STR THD ELBOW -8 ORFS TO -8 SAE |
| 12 | 3338661 | 1 | MOTOR-HYD MAIN BROOM |
| 13 | 3330338 | 1 | KEY-SHAFT D-FOSS CB/MB/SC MOTORS |
| 14 | 3307337 | 3' | GASKET-MAIN BROOM ARM |
| 15 | 3307338 | 3' | RETAINER-GASKET MAIN BROOM ARM |
| 16 | 3307207MLH | 1 | MAIN BROOM MNT AM9D-M |
| 17 | 3307181 | 1 | SPACER-MAIN BROOM |
| 18 | 3300432 | 2 | BUSHING-FL-52-4 |
| 19 | 690111 | 2 | PIN-DOWEL, .375x1.25, SS |
| 20 | 3305667 | 1 | BEARING-MAIN BROOM |
| 21 | 3305642P | 1 | HUB-BROOM IDLER |
| 22 | 3400047 | 2 | SCR-SOCKET, 5/16-18x0.75 |
| 23 | 3305666 | 1 | RING-RETAINING MAIN BROOM |
| 25 | 3335220 | 1 | MAIN BROOM PLT |
| 26 | 3400748 | 1 | KNOB-HAND 1/2-13x1-1/2 DOG POINT |
| 27 | 3335196 | 1 | PLATE-LIFT ARM, MAIN BROOM, ARMA |
| 28 | 712305 | 1 | WASHER, FENDER 5/8 X 2 X .125 ZINC |
| 29 | 712003 | 1 | SCREW, HHCS 5/8-11 X 0.75 ZINC |
| 30 | 3333672 | 1 | SPACER-MB LIFT ROD |
| 31 | 712315 | 1 | WASHER SR-HELICAL .64 X 1.26 X .06 ZINC |
| 32 | 3335908 | 1 | RING-NILOS, 2.55"OD |
| 33 | 3400086 | 1 | WASHER-FLAT 1/2 STANDARD ZP |
| 34 | 3400098 | 1 | WASHER-LOCK 1/2 SPLIT ZP |

SIDE BROOM & MAIN BROOM



| SIDE BROOM & MAIN BROOM | | | |
|------------------------------------|-------------------|--------------|---|
| ITEM | PART NO. | REQ'D | DESCRIPTION |
| | MAIN BROOM | | |
| 1 | 3305818 | 1 | BROOM-48"HIGH DEN FIBER & WIRE |
| | 3305812 | 1 | BROOM-48" NYLON |
| | 3305665 | 1 | BROOM-48" HIGH DENSITY NYLON |
| | 3305814 | 1 | BROOM-48" NYLON CHEVRON (PATROL) |
| | 3315315 | 1 | BROOM-48"STIFF NYLON |
| | 3305663 | 1 | BROOM-48" PROEX & WIRE |
| | 3333483 * | 1 | BROOM-48" TRIPLE ROW POLY (CHEVRON PATTERN) |
| | SIDE BROOM | | |
| 2 | 3300308 * | 1 | BROOM-SIDE 24" WHITE NYLON |
| | 3300306 | 1 | BROOM-SIDE 24" DIA. BLACK POLY |
| | 3300309 | 1 | BROOM-SIDE 26" WHITE NYLON |
| | 3300307 | 1 | BROOM-SIDE 26" BLACK POLY |
| | 3300311 | 1 | BROOM-SIDE 26" WIRE |

* - Standard Broom used on the AM9D-III machine.

Main Broom User's Guide

Proex & Wire - Slightly encrusted soilage & dusty conditions. High heat.

Nylon - General purpose broom with long life bristles.

Poly Proex - All purpose broom that stands up well on rough surfaces.

High Density Nylon - Highly effective for small particle soilage. Severe dust environments.

Crinkle Wire - Stiff bristles for compacted grime, oil, grease or mud. Fair to good broom life.

Natural Fiber & Wire - Good all around broom. Good for high heat applications.

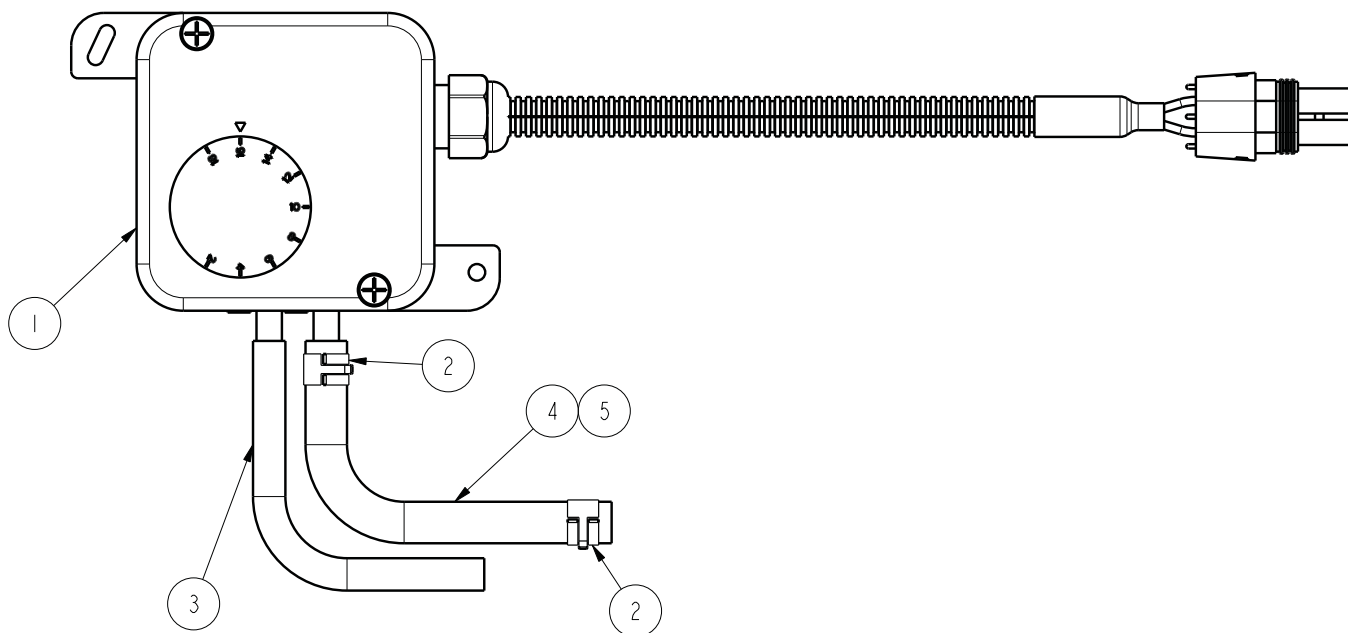
Side Broom User's Guide

Poly - Stiff bristles for aggressive sweeping of mainly heavy litter. Not suited for high heat.

Nylon - Provides longest life. Recommended for tough sweeping jobs.

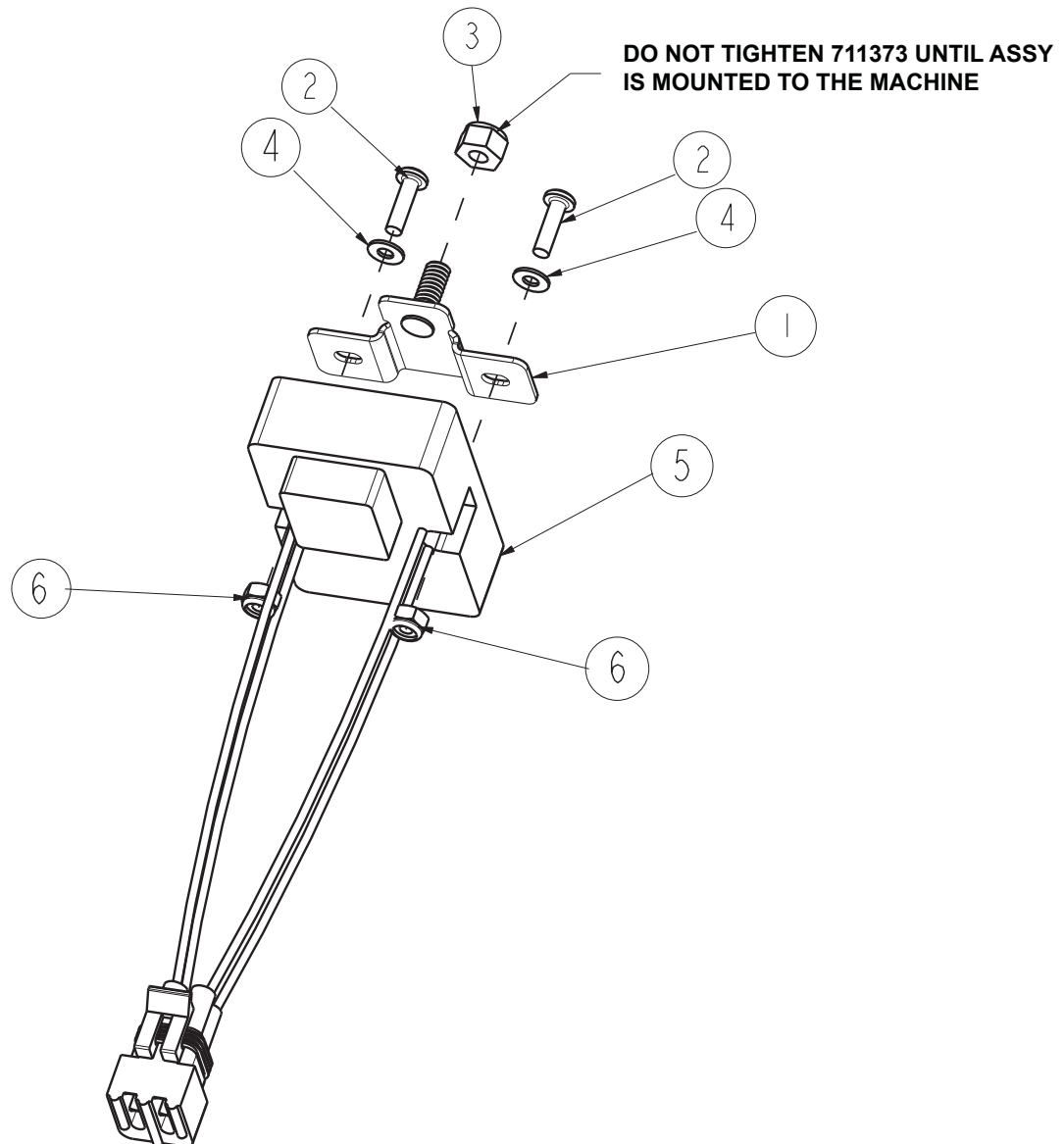
Wire (flat) - For areas of heavy grease build up or scarifying action. Used in high heat applications.

VACUUM SWITCH



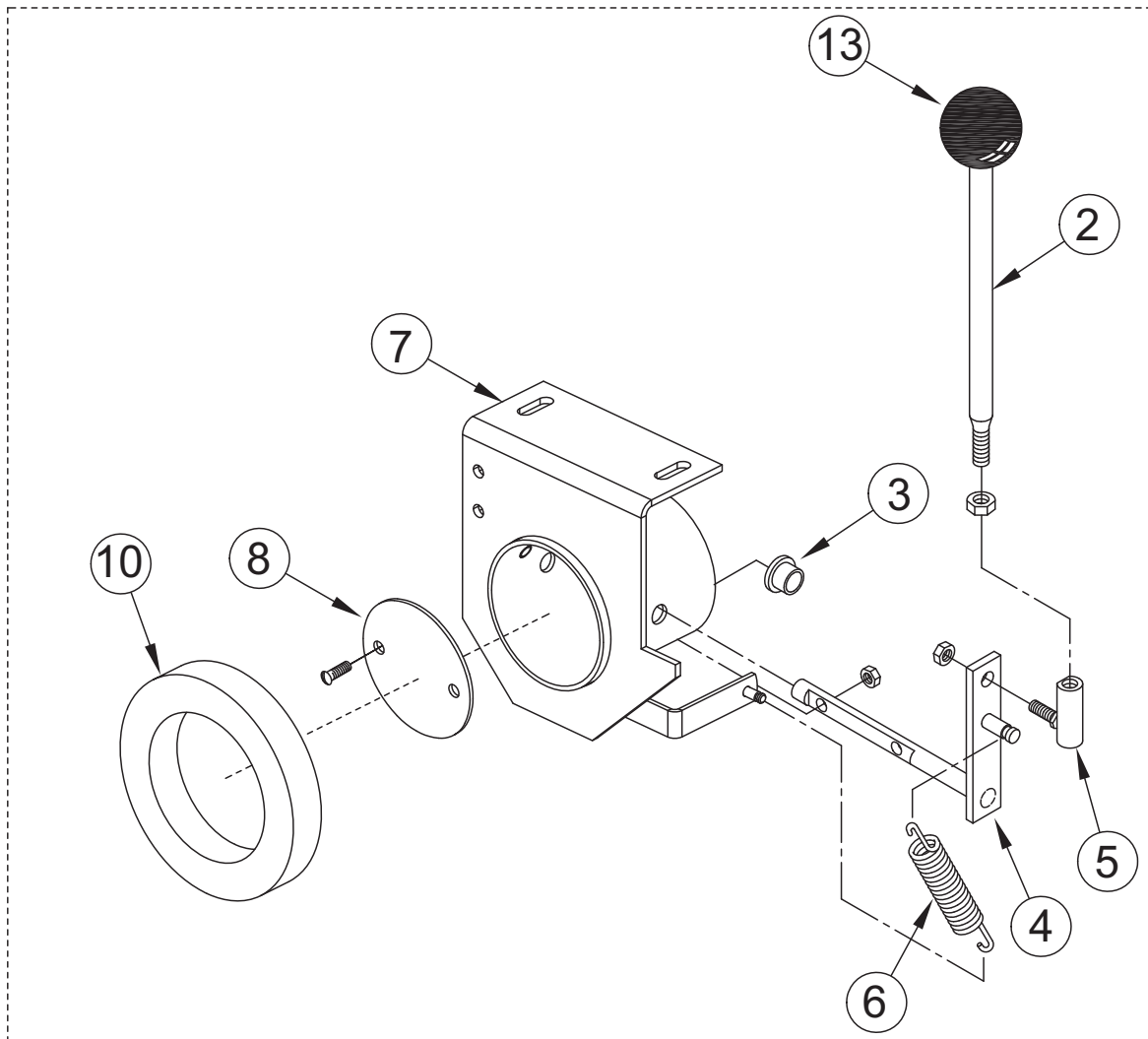
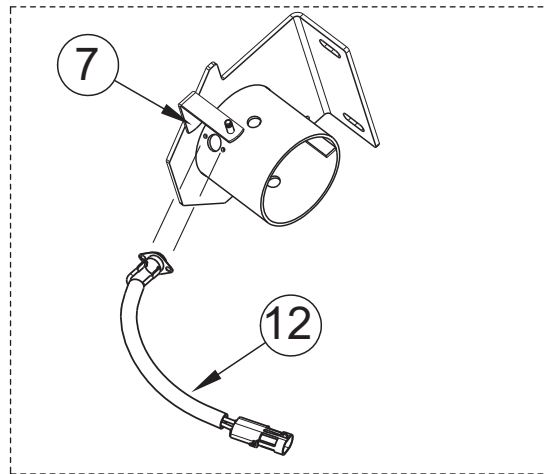
| VACUUM SWITCH | | | |
|---------------|----------|-------|---------------------------------------|
| ITEM | PART NO. | REQ'D | DESCRIPTION |
| 1 | 690083-1 | 1 | HARNESS ASSY, SWITCH, DIFF PRESSURE |
| 2 | 690225 | 2 | CLAMP- HOSE .460 |
| 3 | 690437 | 1 | HOSE-NYLO REINF 1/8 X 4" |
| 4 | 690439 | 1 | HOSE-PVC CLEAR 14", 5/16" ID, 7/16"OD |
| 5 | 690445 | 1 | HOSE-NYLO REINF 1/8 X 1" |

TIMER-FILTER SHAKER SEALED



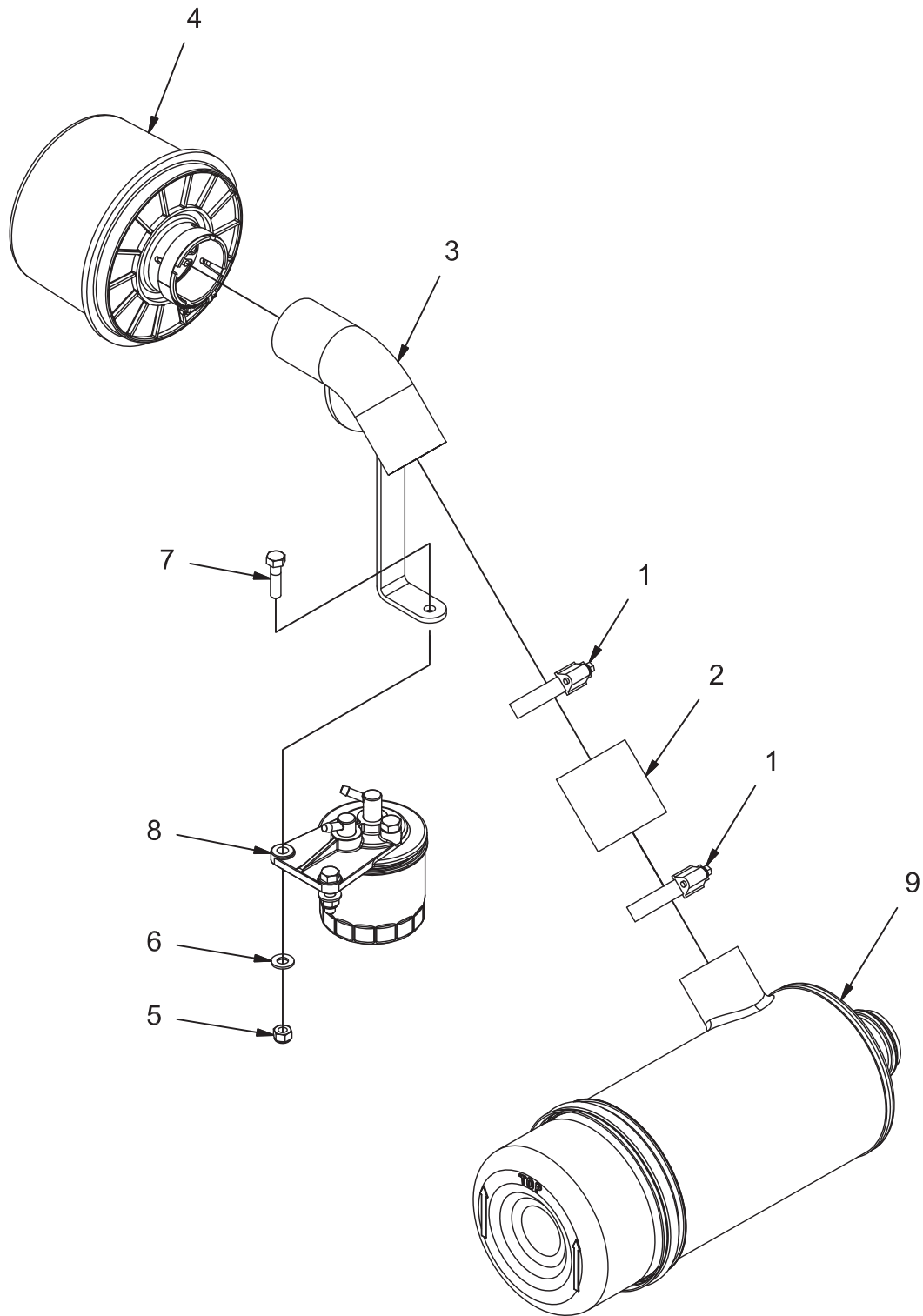
| TIMER-FILTER SHAKER SEALED | | | |
|----------------------------|----------|-------|--------------------------------------|
| ITEM | PART NO. | REQ'D | DESCRIPTION |
| 1 | 690138 | 1 | BRACKET, TIMER |
| 2 | 710230 | 2 | SCR-MC 8-32 X .62 ST PL |
| 3 | 711373 | 1 | NUT - NYLOC 1/4-20 |
| 4 | 711502 | 2 | WSR - FLT, .170 X .38 X .32 STL ZINC |
| 5 | 748502-1 | 1 | ASSY, RELAY - TIMER, W/CONNECTOR |
| 6 | 3400082 | 2 | NUT - HEX #8-32 ES ZP |

GASKET MOUNT ASSEMBLY



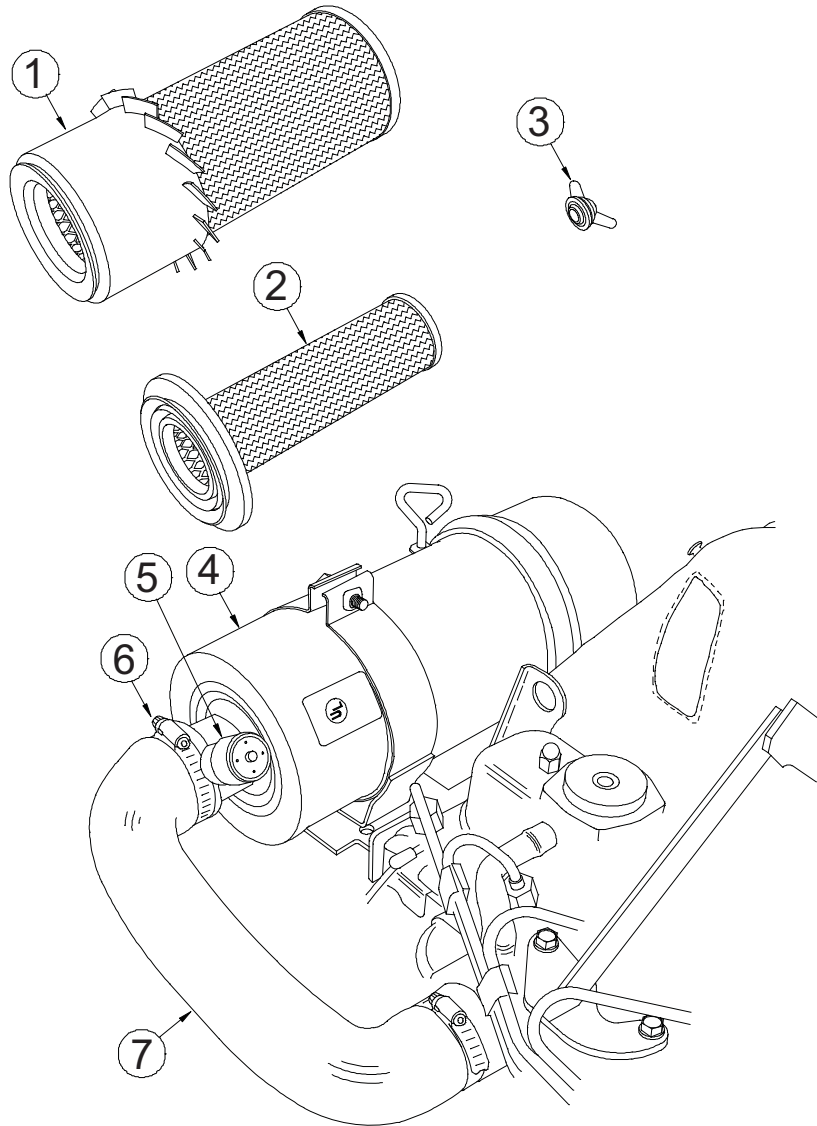
| GASKET MOUNT ASSEMBLY | | | |
|------------------------------|-----------------|--------------|--|
| ITEM | PART NO. | REQ'D | DESCRIPTION |
| | 3307018 | 1 | GASKET MOUNT SUB 9XV (Includes Items 1-13) |
| 2 | 3307173 | 1 | ROD-IMPELLER BAFFLE |
| 3 | 810012 | 2 | WASHER SHOULDER NYLON 1"OD .382ID |
| 4 | 3307155LH | 1 | WELDMENT ROD GASKET MOUNT BAFFLE, LH |
| 5 | 3301199 | 1 | BALL JOINT-1/4-28 |
| 6 | 3304160 | 1 | SPRING-EXTENSION, 2.00 LG |
| 7 | 3307182LH | 1 | WELDMENT-GASKET MOUNT, LH |
| 8 | 3301498 | 1 | DAMPER-HOPPER SHUTOFF, |
| 10 | 3307005 | 1 | GASKET-IMPELLER |
| 12 | 748504-1 | 1 | THERMOSTAT ASSEMBLY |
| - | 3303729 | 1 | GROMMET-RUBBER, .25IDx.56ODx.12 GROOVE (Not Shown) |
| 13 | 3300563 | 1 | KNOB-PLASTIC BALL 1" DIA, BLACK |

TURBO PRE-CLEANER GROUP



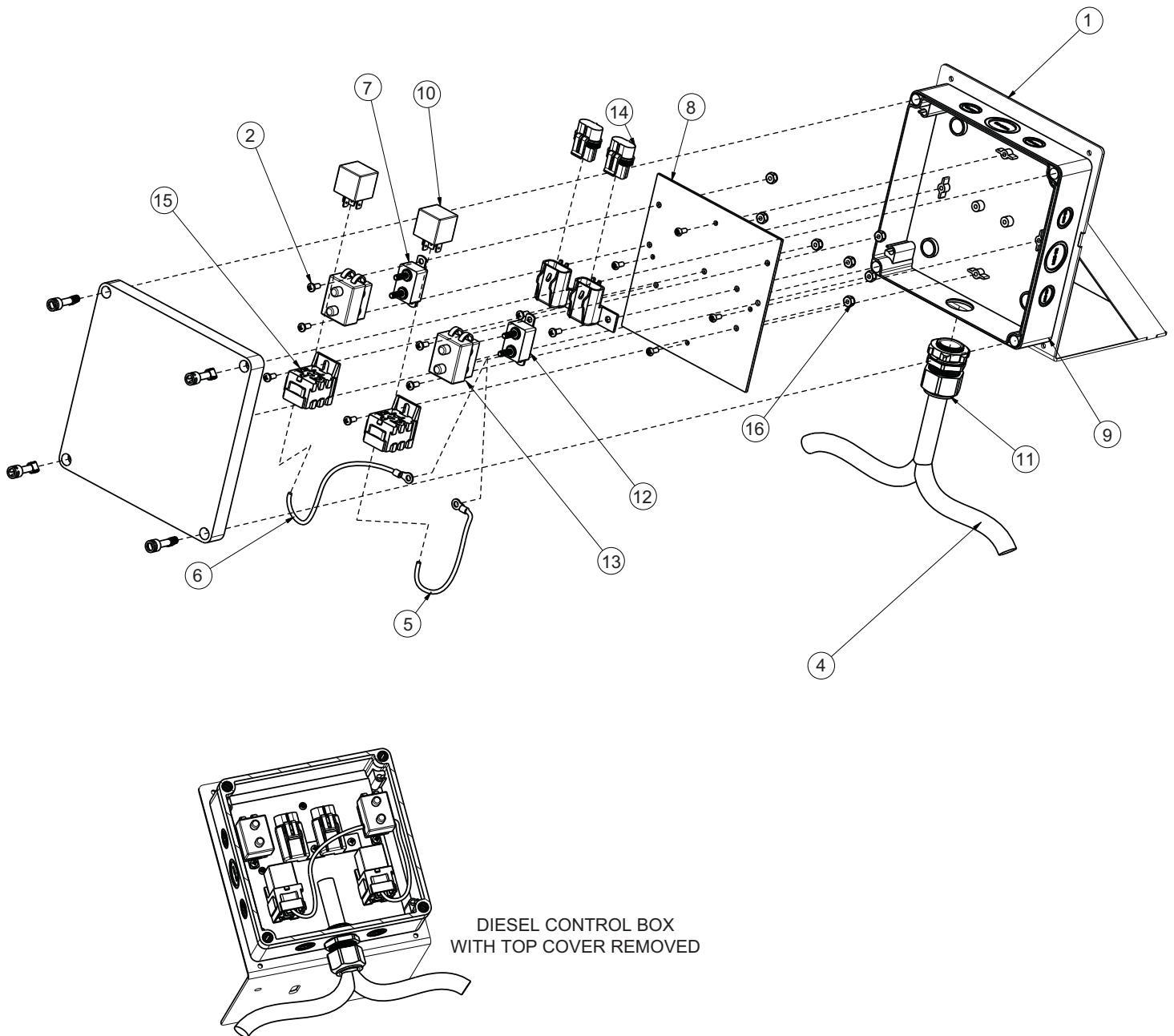
| TURBO PRE-CLEANER GROUP | | | |
|--------------------------------|-----------------|--------------|--------------------------|
| ITEM | PART NO. | REQ'D | DESCRIPTION |
| 1 | 3044112 | 2 | CLAMP-HOSE, SS, 2.50 MAX |
| 2 | 730056 | 1 | HOSE 2.00 ID X 3.00 LG |
| 3 | 690528 | 1 | WELDMENT, TURBO MNT LH |
| 4 | 690531 | 1 | TURBO PRE-CLEANER |

ENGINE AIR CLEANER ASSEMBLY



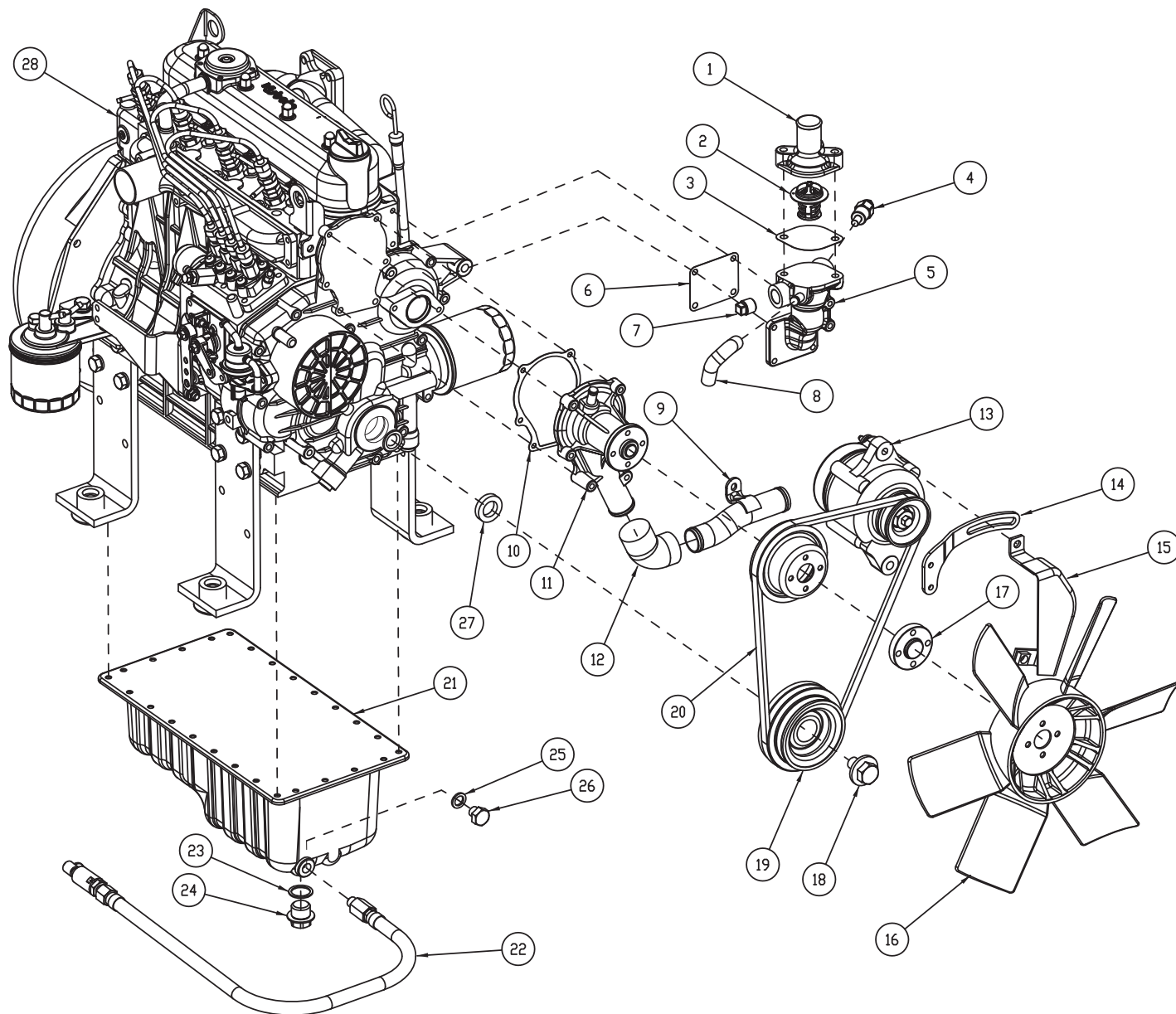
| ENGINE AIR CLEANER ASSEMBLY | | | |
|------------------------------------|-----------------|--------------|---|
| ITEM | PART NO. | REQ'D | DESCRIPTION |
| 1 | 3302842 | 1 | ELEMENT-AIR CLEANER, PRIMARY |
| 2 | 3302597 | 1 | ELEMENT-AIR CLEANER, SAFETY |
| 3 | 3303827 | 1 | NUT-WING, DONALDSON AIR CLEANER |
| 4 | 3303031 | 1 | "ASSEMBLY-DONALDSON HEAVY DUTY AIR CLEANER (Includes Items 1,2&3)" |
| 5 | 3303991 | 1 | INDICATOR-AIR CLEANER RESTRICTION |
| 6 | 3044112 | 2 | CLAMP-HOSE, φ2.5" SS |
| 7 | 3333965 | 1 | HOSE-RUBBER AIR INTAKE "U" V1505 KBA |

ENGINE KUBOTA V1505 DIESEL - FUSE BOX DETAILS



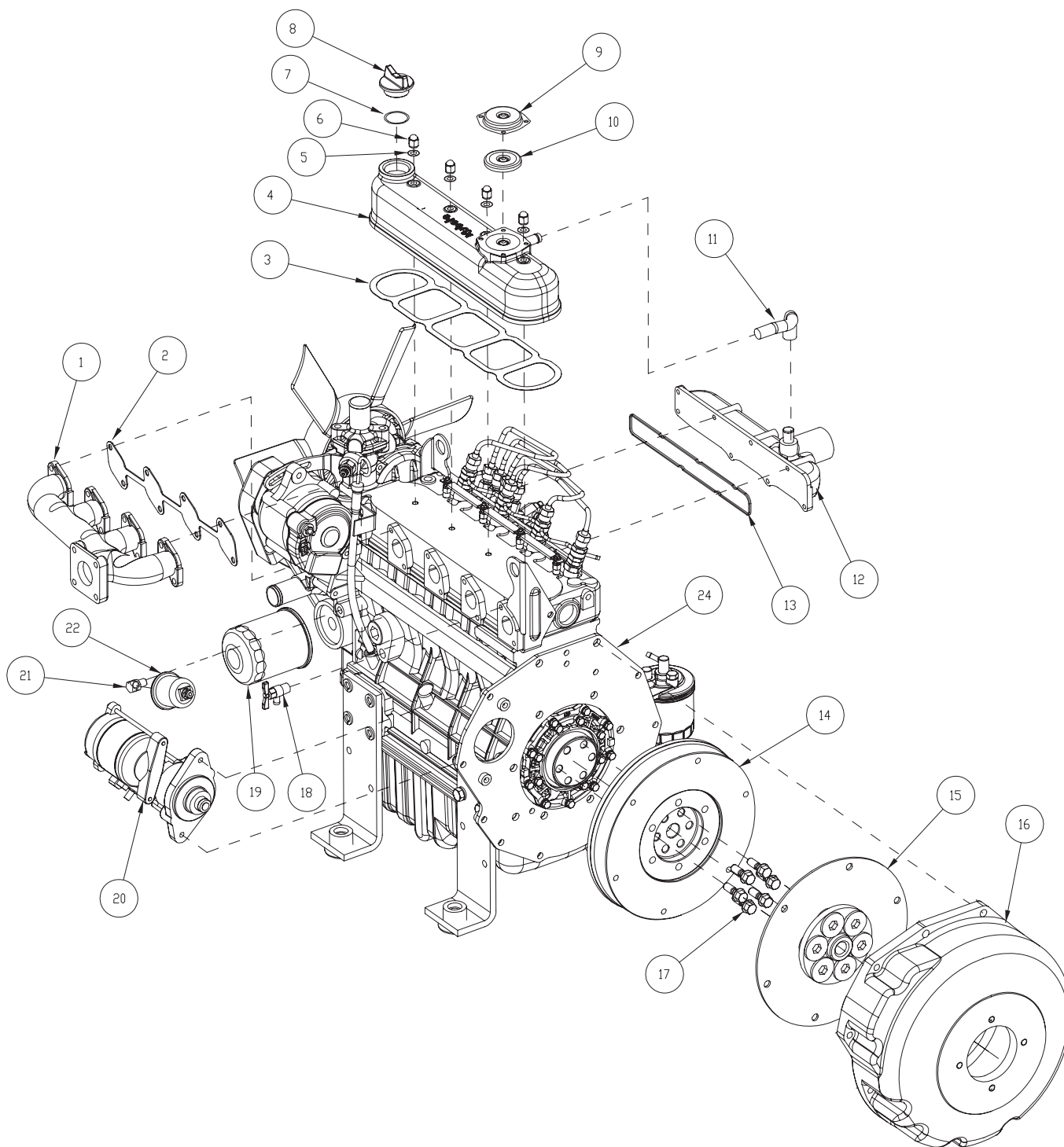
| ENGINE KUBOTA V1505 - DIESEL CONTROL BOX (748769-LH) | | | |
|---|-----------------|--------------|--|
| ITEM | PART NO. | REQ'D | DESCRIPTION |
| 1 | 690494-1 | 1 | BRACKET, MTG, WELD, DIESEL CONTROL BOX, LH |
| 2 | 710328 | 8 | SCR-RHMS 8-32 X .37 ZP |
| 3 | 712540 | 4 | SCR-THMS 10-24 X .37 SS |
| 4 | 748447 | 1 | WIRING HARNESS, KUBOTA DSL CONTROL BOX |
| 5 | 748447-1 | 1 | WIRE ASSY, ORANGE |
| 6 | 748447-2 | 1 | WIRE ASSY, YELLOW |
| 7 | 748762 | 1 | CIRCUIT BREAKER, 12V 50A |
| 8 | 748763-MCH | 1 | MOUNTING PLATE, MACHINED |
| 9 | 748764 | 1 | ENCLOSURE W/ METRIC KNOCKOUTS |
| 10 | 748767 | 2 | RELAY, 14 VDC 50/30 A |
| 11 | 748768 | 1 | CORDGRIP, M25, LIQUID TIGHT |
| 12 | 748962 | 1 | CIRCUIT BREAKER, 12V 40A |
| 13 | 748963 | 2 | CIRCUIT BREAKER BOOT |
| 14 | 748964-1 | 2 | ASSY, FUSE HOLDER |
| 15 | 748967 | 2 | SOCKET, RELAY |
| 16 | 3400082 | 8 | NUT-NYLOC 8-32 ZP |

ENGINE KUBOTA V1505 DIESEL - ALTERNATOR, WATER PUMP, FAN, AND OIL PAN



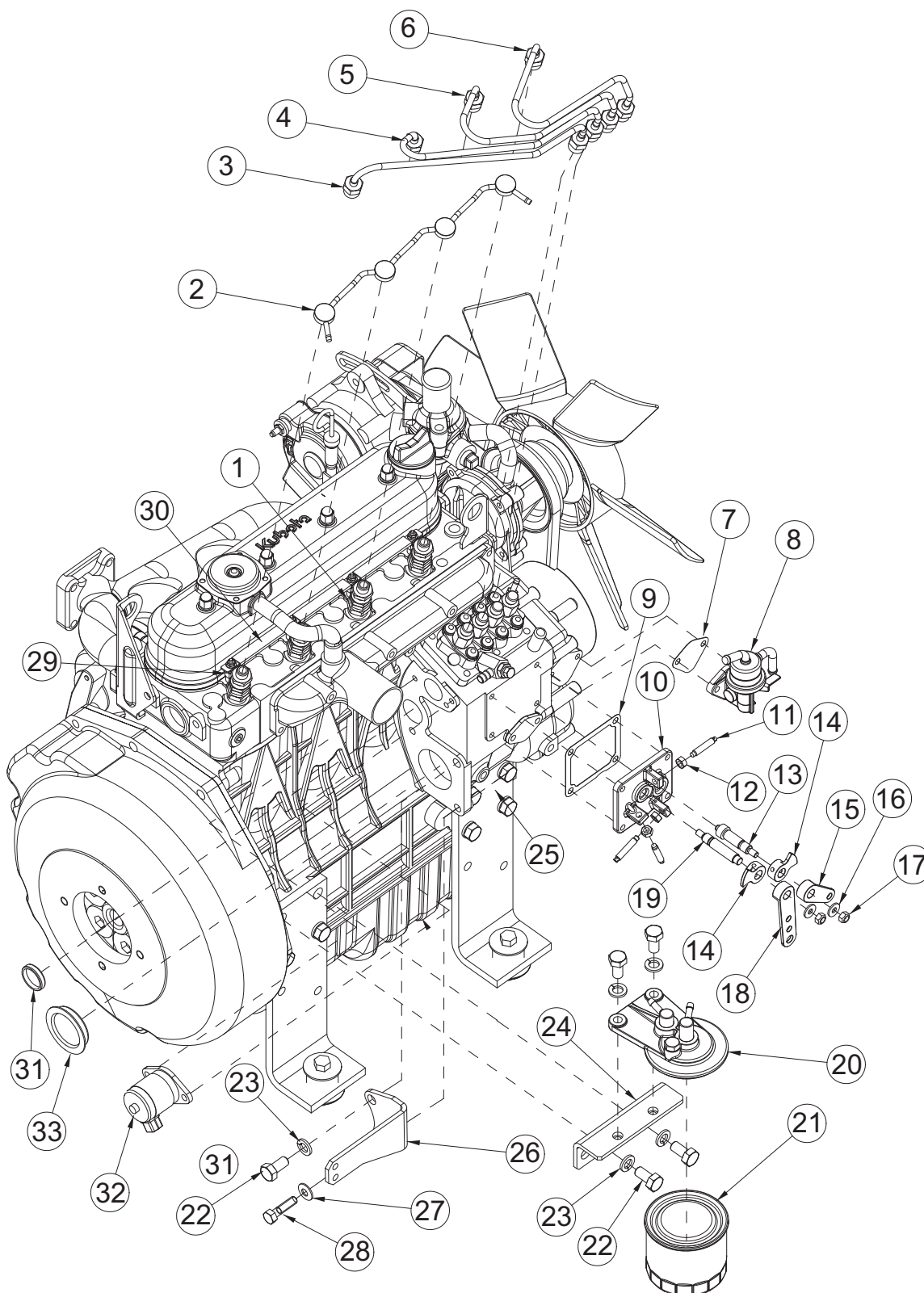
| ENGINE KUBOTA V1505 DIESEL - ALTERNATOR, WATER PUMP, FAN, AND OIL PAN | | | |
|--|-----------------|------------|---------------------------------------|
| ITEM | PART NO. | QTY | DESCRIPTION |
| 1 | 3336919 | 1 | COVER-THERMOSTAT KUBOTA V1505 |
| 2 | 3350446 | 1 | THERMOSTAT-KUBOTA V1505 & V2203 |
| 3 | 3336918 | 1 | GASKET-THERMOSTAT KUBOTA V1505 |
| 4 | 3341070 | 1 | SENDER-TEMPERATURE 12V KUBOTA V1505 |
| 5 | 3336939 | 1 | HOUSING-THERMOSTAT KUBOTA V1505 |
| 6 | 3336915 | 1 | GASKET-WATER FLANGE KUBOTA V1505 |
| 7 | 3336947 | 1 | PLUG-THERMOSTAT HSG KUBOTA V1505 |
| 8 | 3336931 | 1 | PIPE-WATER RETURN THERMOSTAT HSG |
| 9 | 3336946 | 1 | PIPE-WATER KUBOTA V1505 |
| 10 | 3330793 | 1 | GASKET - KUBOTA V1505 WATER PUMP |
| 11 | 3330792 | 1 | PUMP - WATER, KUBOTA V1505 |
| 12 | 3336932 | 1 | PIPE-WATER PUMP KUBOTA V1505 |
| 13 | 3329875 | 1 | ALTERNATOR-KUBOTA V1505 |
| 14 | 3336067 | 1 | STAY-DYNAMO |
| 15 | 3331935 | 1 | COVER-BELT |
| 16 | 3330210 | 1 | FAN - KUBOTA V1505 ENGINE (SP) 1 |
| 17 | 3336933 | 1 | SPACER-FAN 10MM KUBOTA V1505 |
| 18 | 3336937 | 1 | BOLT-PULLEY KUBOTA V1505 |
| 19 | 3336934 | 1 | PULLEY-ENGINE KUBOTA V1505 |
| 20 | 3329867 | 1 | BELT-KUBOTA V1505V |
| 21 | 3336920 | 1 | PAN-OIL KUBOTA V1505 |
| 22 | 661004 | 1 | OIL DRAIN ASSY, V1505 |
| 23 | 3344822 | 1 | DRAIN PLUG GASKET, KUBOTA |
| 24 | 3338327 | 1 | PLUG-DRAIN (BOTTOM) |
| 25 | 3338328 | 1 | GASKET-OIL PAN (ALTERNATE) |
| 26 | 3344821 | 1 | PLUG-DRAIN (SIDE) (ALTERNATE) |
| 27 | 3337571 | 1 | SEAL, OIL KUBOTA V1505 |
| 28 | 690116 | 1 | ENGINE, DSL, DE-RATED - V1505, KUBOTA |

ENGINE KUBOTA V1505 DIESEL - FLYWHEEL, STARTER, HEAD COVER, AND MANIFOLD



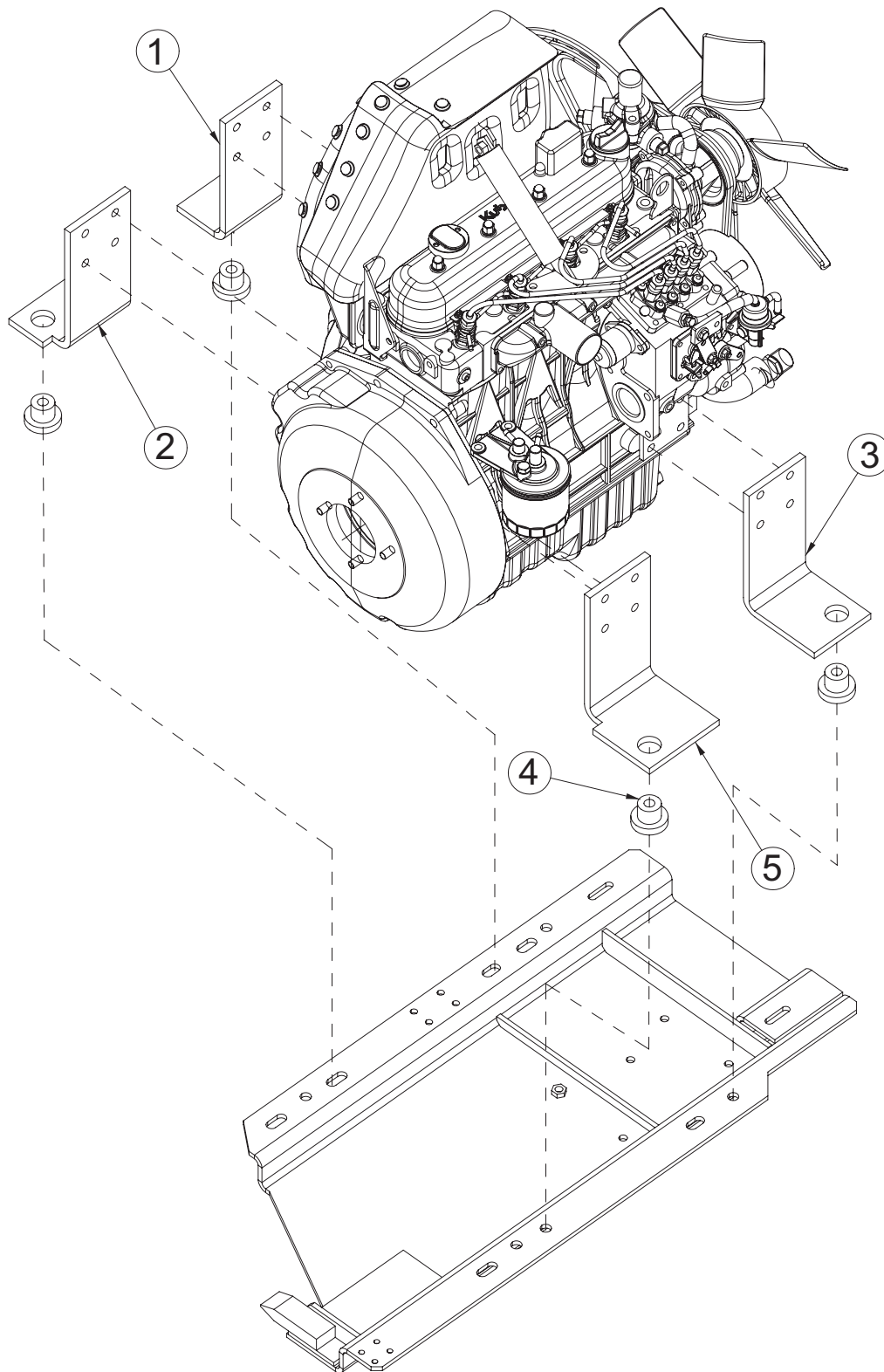
| ENGINE KUBOTA V1505 DIESEL - FLYWHEEL, STARTER, HEAD COVER, AND MANIFOLD | | | |
|---|-----------------|------------|---|
| ITEM | PART NO. | QTY | DESCRIPTION |
| 1 | 3334041 | 1 | MANIFOLD-EXHAUST KUBOTA V1505 |
| 2 | 3333964 | 1 | GASKET-EX-MANIFOLD KUBOTA V1505 |
| 3 | 3334278 | 1 | GASKET - VALVE COVER KUBOTA V1505 |
| 4 | 3336910 | 1 | COVER-CYLHEAD KUBOTA V1505 |
| 5 | 3337572 | 4 | GASKET KUBOTA V1505 |
| 6 | 3336916 | 4 | NUT-CYLHEAD COVER KUBOTA V1505 |
| 7 | 3337573 | 1 | O-RING KUBOTA V1505 |
| 8 | 3336926 | 1 | PLUG-OIL FILLER KUBOTA V1505 |
| 9 | 3337574 | 1 | COVER, BREATHER KUBOTA V1505 |
| 10 | 3337575 | 1 | VALVE BREATHER KUBOTA V1505 |
| 11 | 3337576 | 1 | TUBE BREATHER KUBOTA V1505 |
| 12 | 3336911 | 1 | MANIFOLD-INLET KUBOTA 1505 |
| 13 | 3337577 | 1 | GASKET INTAKE MANIFOLD KUBOTA V1505 |
| 14 | 3336935 | 1 | COMP-FLYWHEEL KUBOTA V1505 |
| 15 | 3329956 | 1 | COUPLING-KUBOTA DIESEL V1505/D905 |
| 16 | 3329957 | 1 | BELL HOUSING KUBOTA V1505 DIESEL |
| 17 | 3336938 | 6 | BOLT-FLYWHEEL KUBOTA V1505 |
| 18 | 3339628 | 1 | ASSY-COCK DRAIN V1505 |
| 19 | 3324129 | 1 | FILTER - OIL, 1505/905 KUBOTA DIE |
| 20 | 3330402 | 1 | STARTER - KUBOTA V1505, 12V |
| 21 | 690767 | 1 | FTG ELBOW, OIL PRESS. SENSOR KBTA V1505 |
| 22 | 3341069 | 1 | SENDER-OIL PRESSURE 12V |
| 23 | 3305640 | 1 | FTG-NIPPLE 1/8BPT-1/8NPT BRASS |
| 24 | 3336917 | 1 | PLATE-REAR END V1505 |

ENGINE KUBOTA V1505 DIESEL - FUEL SYSTEM AND SPEED CONTROL



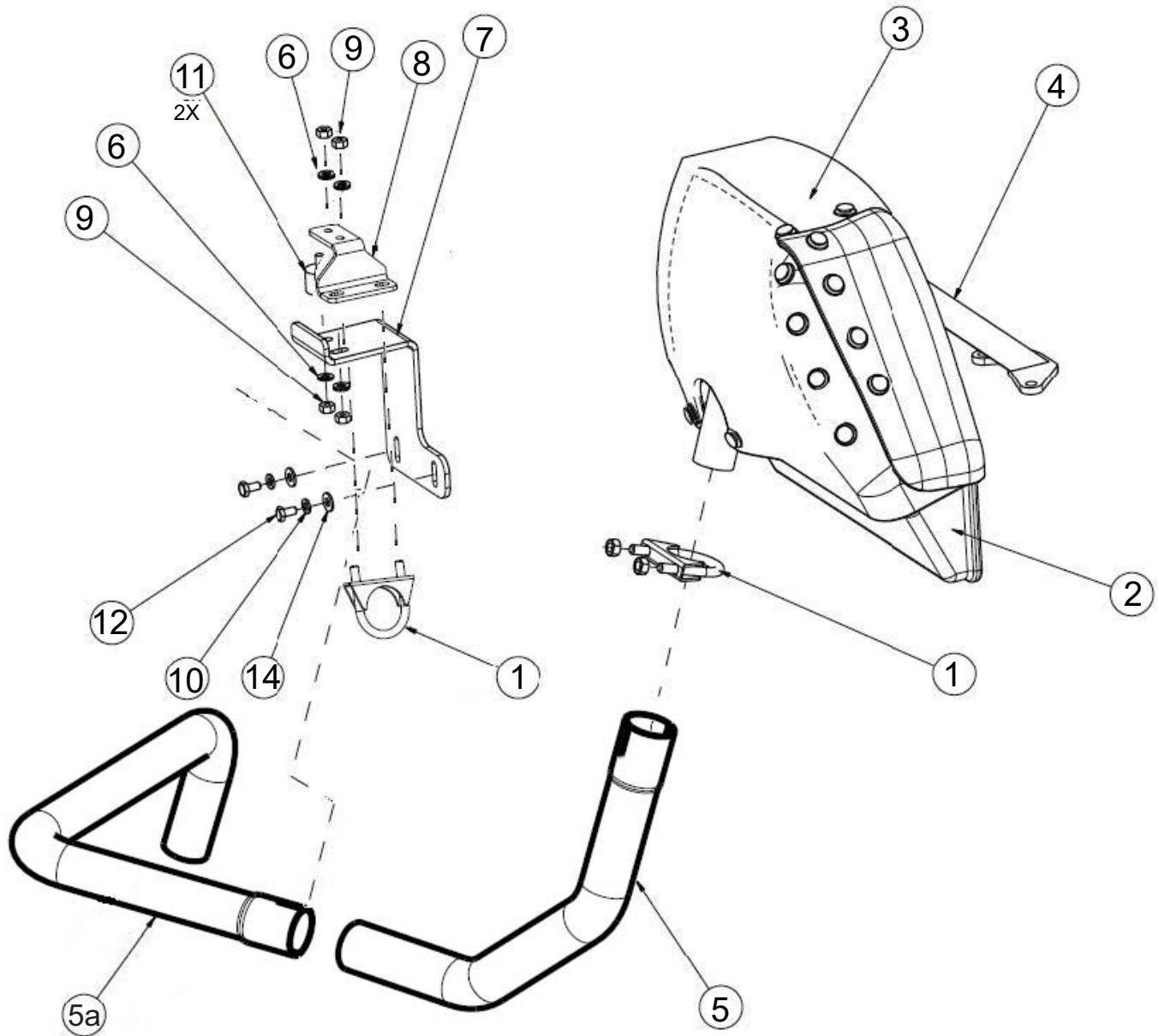
| ENGINE KUBOTA V1505 DIESEL - FUEL SYSTEM AND SPEED CONTROL | | | |
|---|-----------------|------------|--|
| ITEM | PART NO. | QTY | DESCRIPTION |
| 1 | 3330106 | 4 | INJECTOR-KUBOTA V1505 DIESEL |
| 2 | 3333567 | 1 | FUEL LINE-KBA 1505 LEAK OFF LINE |
| 3 | 3334998 | 1 | PIPE INJECTION-KUBOTA V1505 |
| 4 | 3334997 | 1 | PIPE INJECTION-KUBOTA V1505 |
| 5 | 3334996 | 1 | PIPE INJECTION-KUBOTA V1505 |
| 6 | 3334995 | 1 | PIPE INJECTION-KUBOTA V1505 |
| 7 | 3330693 | 1 | KUBOTA 1505-FUEL PUMP GASKET |
| 8 | 3330692 | 1 | PUMP - FUEL, KUBOTA V1505 DIESEL |
| 9 | 3336924 | 1 | GASKET-CONTROL PLATE KUBOTA V1505 |
| 10 | 3336943 | 1 | PLATE-SPEED CONTROL KUBOTA V1505 |
| 11 | 3336944 | 3 | BOLT-ADJUSTING SPEED CONTROL KUBOTA |
| 12 | 3336976 | 3 | HUT-HEX JAM 6MM |
| 13 | 3336948 | 1 | SHAFT-LEVER STOP SPEED CONTROL KUBOTA |
| 14 | 3336942 | 2 | LEVER-SPEED CONTROL KUBOTA V1505 |
| 15 | 3336945 | 1 | LEVER-ENGINE STOP KUBOTA V1505 |
| 16 | 3336969 | 2 | WASHER-PLAIN 15MM OD X 6MM ID X 1 |
| 17 | 3336970 | 2 | NUT-HEX LOCK 6MM |
| 18 | 3336941 | 1 | LEVER-SPEED CONTROL KUBOTA V1505 |
| 19 | 3336949 | 1 | LEVER-GOVERNOR KUBOTA V1505 |
| 20 | 3305882 | 1 | MOUNT, FUEL FILTER KUBOTA PNTD |
| 21 | 3303324 | 1 | FILTER - FUEL KUBOTA DSL (SP) |
| 22 | 3400293 | 5 | SCR-HEX 10MMX1.25PX20MM ZP |
| 23 | 3401458 | 5 | WSH-LOCK, 10 MM ZP |
| 24 | 3336912 | 1 | BRACKET-FUEL FILTER KUBOTA V1505 |
| 25 | 3400390 | 1 | NUT-FLANGE LOCK 5/16-18 |
| 26 | 3350331 | 1 | MOUNT-THROTTLE KBA 1505 DSL |
| 27 | 3400384 | 1 | WASHER CONICAL SPRING 5/16 |
| 28 | 3400034 | 1 | SCR-HEX,5/16-18X1.25 ZP |
| 29 | 3330795 | 4 | GLOW PLUG KUBOTA V1505 |
| 30 | 3337578 | 1 | CORD GLOW PLUG KUBOTA V1505 |
| 31 | 3336927 | 1 | PLUG-ENGINE KUBOTA V1505 |
| 32 | 3334549 | 1 | KIT-SOLENOID FUEL SHUT-OFF W/ JUMPER |
| 33 | 3336925 | 1 | COVER HYDRAULIC PUMP-ENGINE KUBOTA V1505 |

ENGINE KUBOTA V1505 DIESEL - MOTOR MOUNTING



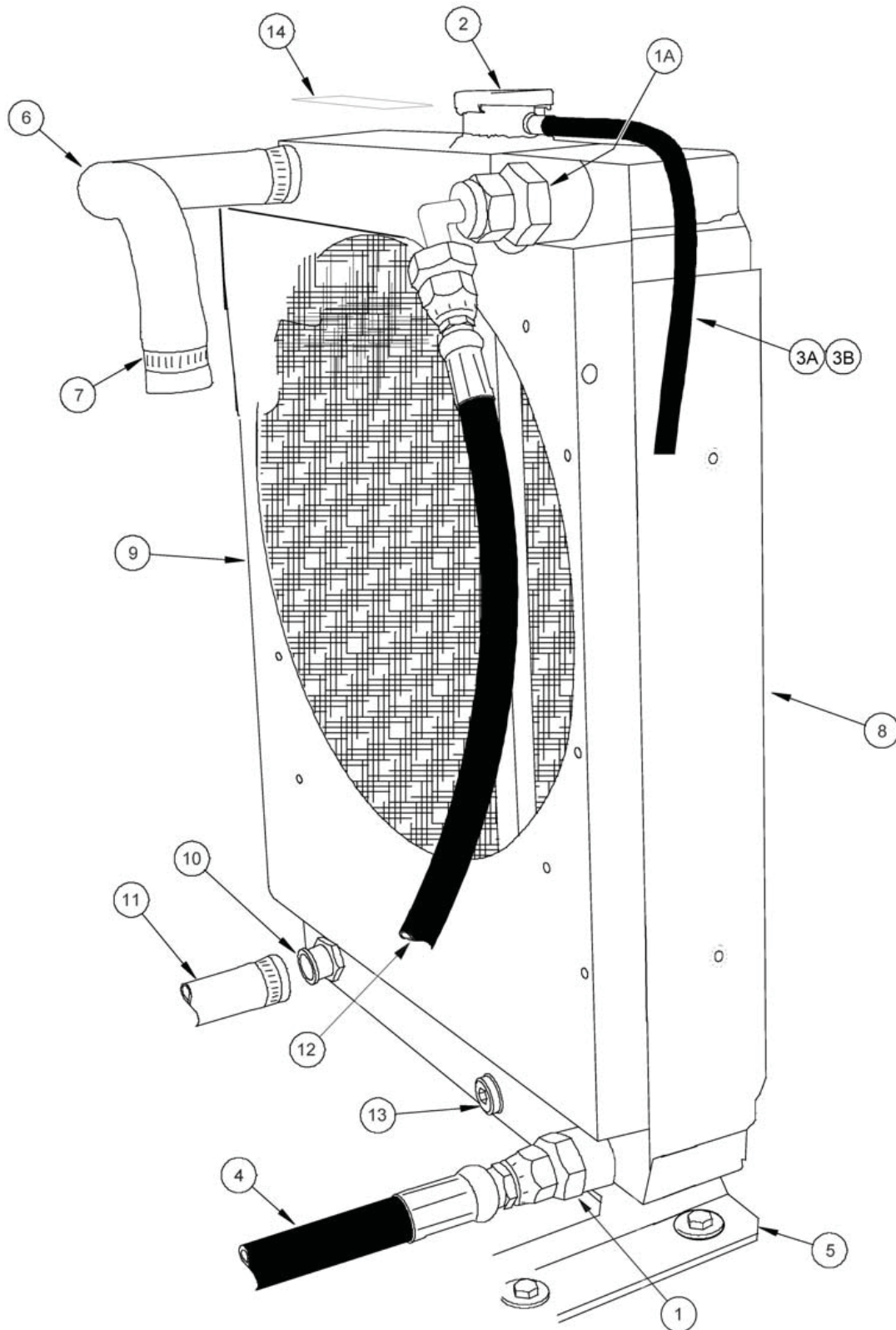
| ENGINE KUBOTA V1505 DIESEL - MOTOR MOUNTING | | | |
|--|-----------------|--------------|---|
| ITEM | PART NO. | REQ'D | DESCRIPTION |
| 1 | 690032 | 1 | ENGINE MOUNT, OUTER, AM9D, KUBOTA V1505 |
| 2 | 690032 | 1 | ENGINE MOUNT, OUTER, AM9D, KUBOTA V1505 |
| 3 | 690031 | 1 | ENGINE MOUNT, INNER, AM9D, KUBOTA V1505 |
| 4 | 3300464 | 4 | ISOLATOR-RUBBER, 1.24 DIAx1.25 LG |
| 5 | 690031 | 1 | ENGINE MOUNT, INNER, AM9D, KUBOTA V1505 |

ENGINE KUBOTA V1505 DIESEL - EXHAUST DETAIL



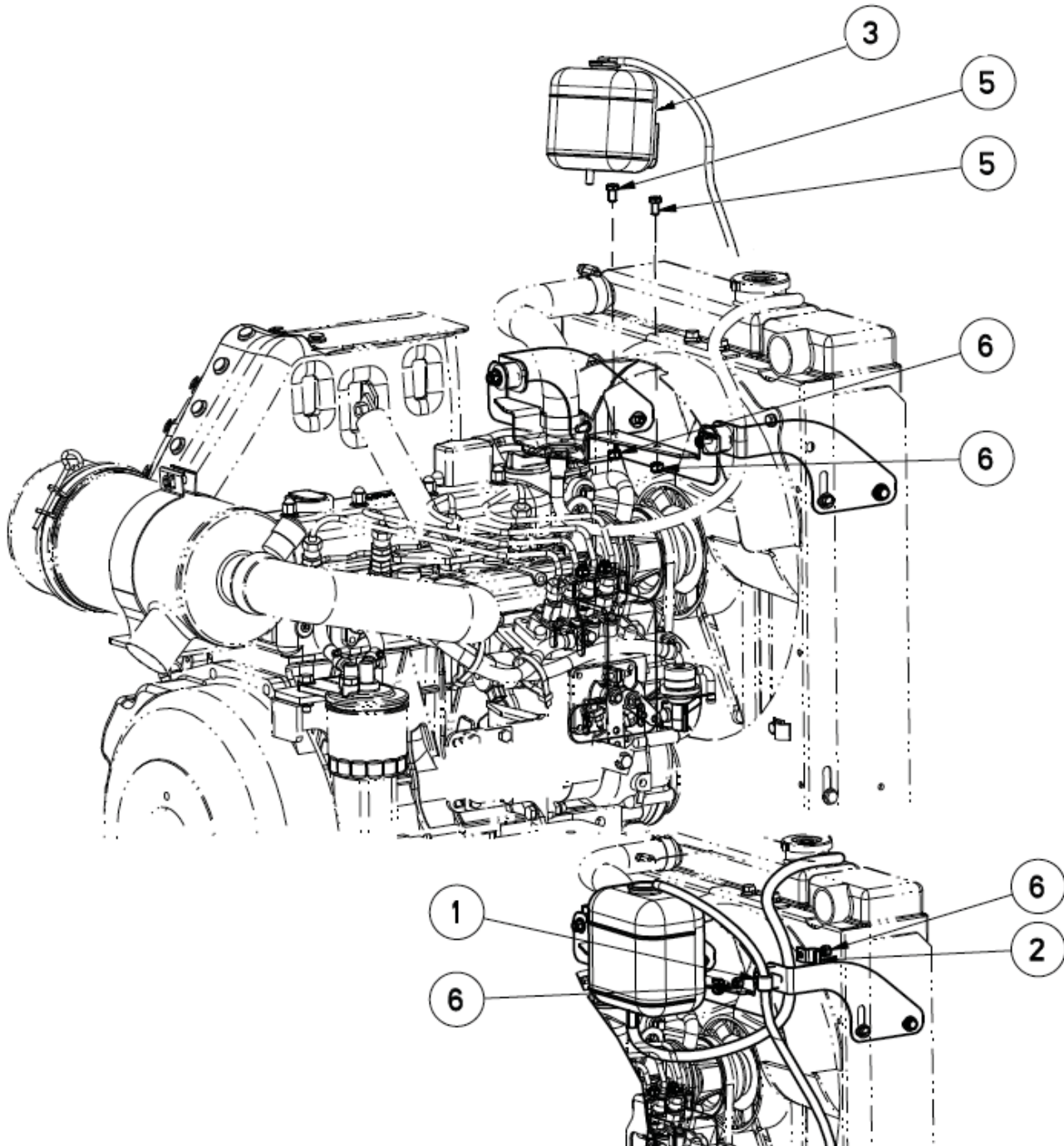
| ENGINE KUBOTA V1505 DIESEL - EXHAUST DETAIL | | | |
|--|-----------------|--------------|--|
| ITEM | PART NO. | REQ'D | DESCRIPTION |
| 1 | 3301641 | 2 | CLAMP-EXHAUST 1 1/2 |
| 2 | 3330627 | 1 | MUFFLER-KUBOTA V1505 BOX |
| 3 | 3330629 | 1 | BLANKET-KUBOTA V1505E BOX EXHAUST |
| 4 | EPS2655 | 1 | STAY MUFFLER |
| 5 | 690412 | 1 | EXHAUST PIPE, DSL, LH |
| 5a | 690497 | | EXHAUST PIPE, LOWER, LH |
| 6 | 3401570-7W | 4 | WASHER-NORD-LOCK, 1/4, 0.53 OD |
| 7 | 690410 | 1 | PLT - EXHAUST MNT BRKT |
| 8 | 690622 | 1 | BRACKET, UPPER EXHAUST HANGER, 9X/AM9D |
| 9 | 3400071 | 4 | NUT-HEX 1/4-20 |
| 10 | 3400103 | 2 | WASHER-LOCK 1/4 SPLIT |
| 11 | 3344112 | 2 | ISO-CYL, 1 DIA X 3/4 X 1/4-20, |
| 12 | 3400043 | 2 | SCR-HH 1/4-20 X .50 ZINC |
| 13 | 3400102 | 2 | WASHER-LOCK 5/16 SPLIT |
| 14 | 3400089 | 2 | WASHER-FLAT 1/4 STANDARD |
| 15 | 3335134 | 1 | EXHAUST FUNNEL, ARMA |
| 16 | 713002 | 4 | BLT-HH 1/4-20 X .75 #5 ZINC |
| 17 | 3400383 | 4 | WASHER-CONICAL SPRING 1/4 |
| 18 | 711425 | 4 | NUT-FLANGED WIZZ 1/4-20 STL ZP |

ENGINE KUBOTA V1505 DIESEL - RADIATOR DETAIL



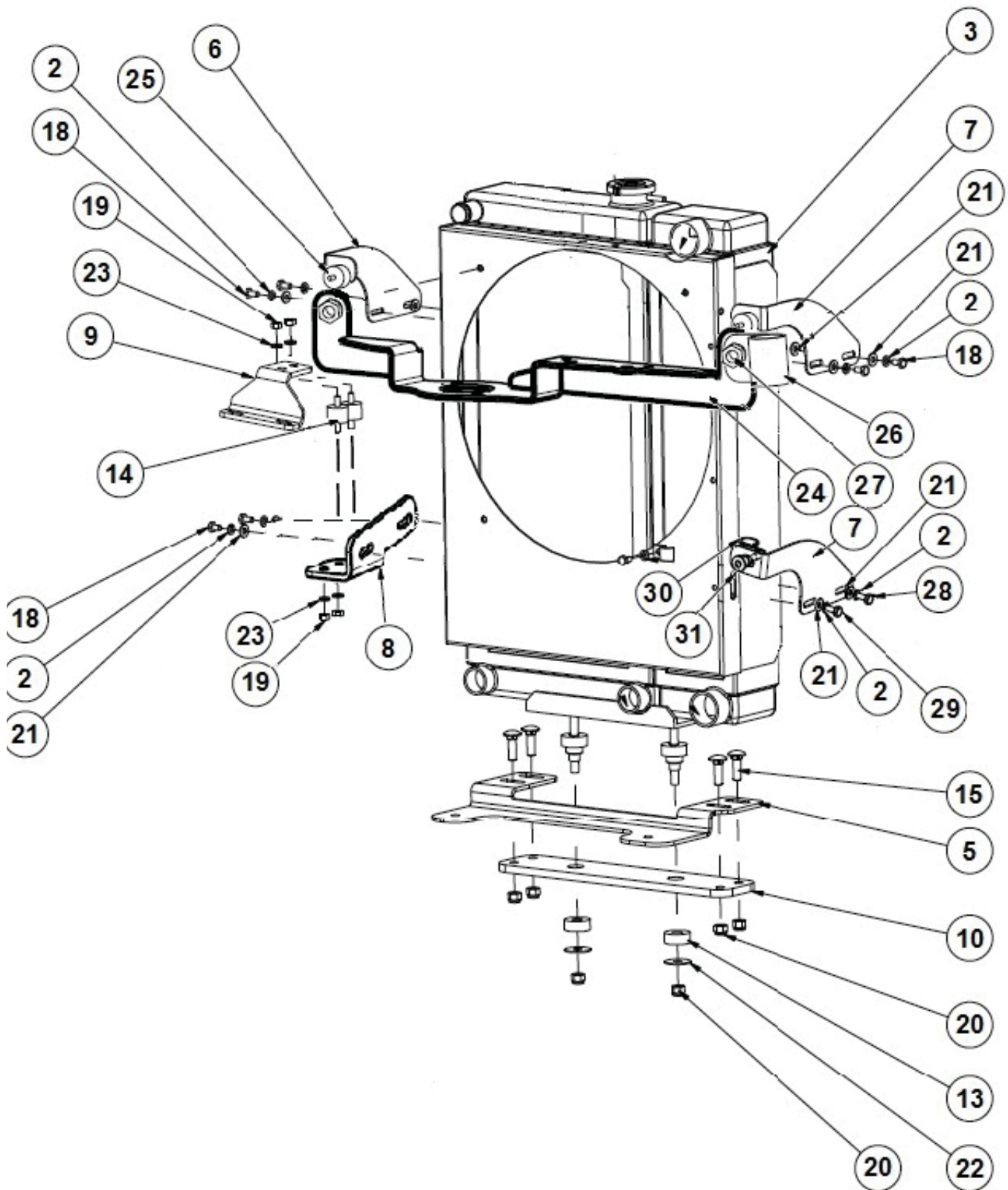
| ENGINE KUBOTA V1505 DIESEL - RADIATOR DETAIL | | | |
|---|-----------------|--------------|--|
| ITEM | PART NO. | REQ'D | DESCRIPTION |
| 1 | 675503 | 1 | FTG-STR THD CONNECTOR -12 ORFS TO -16 S |
| 1A | 675530 | 1 | FTG-STR THD CONNECTOR -8 ORFS TO -16 S |
| 2 | 3336527 | 1 | RADIATOR CAP |
| 3A | 690019 | 24" | HOSE, RADIATOR TO OVERFLOW BOTTLE, 21" LENGTH |
| 3B | 690019 | 36" | HOSE, OVERFLOW BOTTLE EXIT, 36" LENGTH |
| 4 | 675419 | 1 | HYD HOSE - RAD OUT TO RESV |
| 5 | 690033LH | 1 | MOUNT-RADIATOR HYD W/COOLER, LH |
| 6 | 3332643 | 2 | HOSE-UPPER RADIATOR, KUBOTA 1505 |
| 7 | 3303255 | 4 | CLAMP-HOSE 1.75 DIA NOMINAL |
| 8 | 690125 | 1 | RADIATOR-OIL COOLER, LP/GAS/DSL |
| 9 | 690150 | 1 | ASSY, FAN SHROUD, DSL/LP/GAS |
| 10 | 3333489 | 1 | FTG-RADIATOR HOSE |
| 11 | 3332644 | 1 | LOWER RADIATOR HOSE, AM9D |
| 12 | 675418 | 1 | HYD HOSE - FILTER OUT TO RAD |
| 13 | 3333488 | 1 | FTG-PLUG, RADIATOR |
| 14 | 3301733 | 2 | DECAL-WARNING FAN (RAD SHROUD) |
| -- | 690225 | 4 | CLAMP- HOSE .460 (NOT SHOWN - USED WITH ITEMS 3A and 3B ON EACH END) |

ENGINE KUBOTA V1505 DIESEL - RADIATOR COOLANT TANK & MOUNT



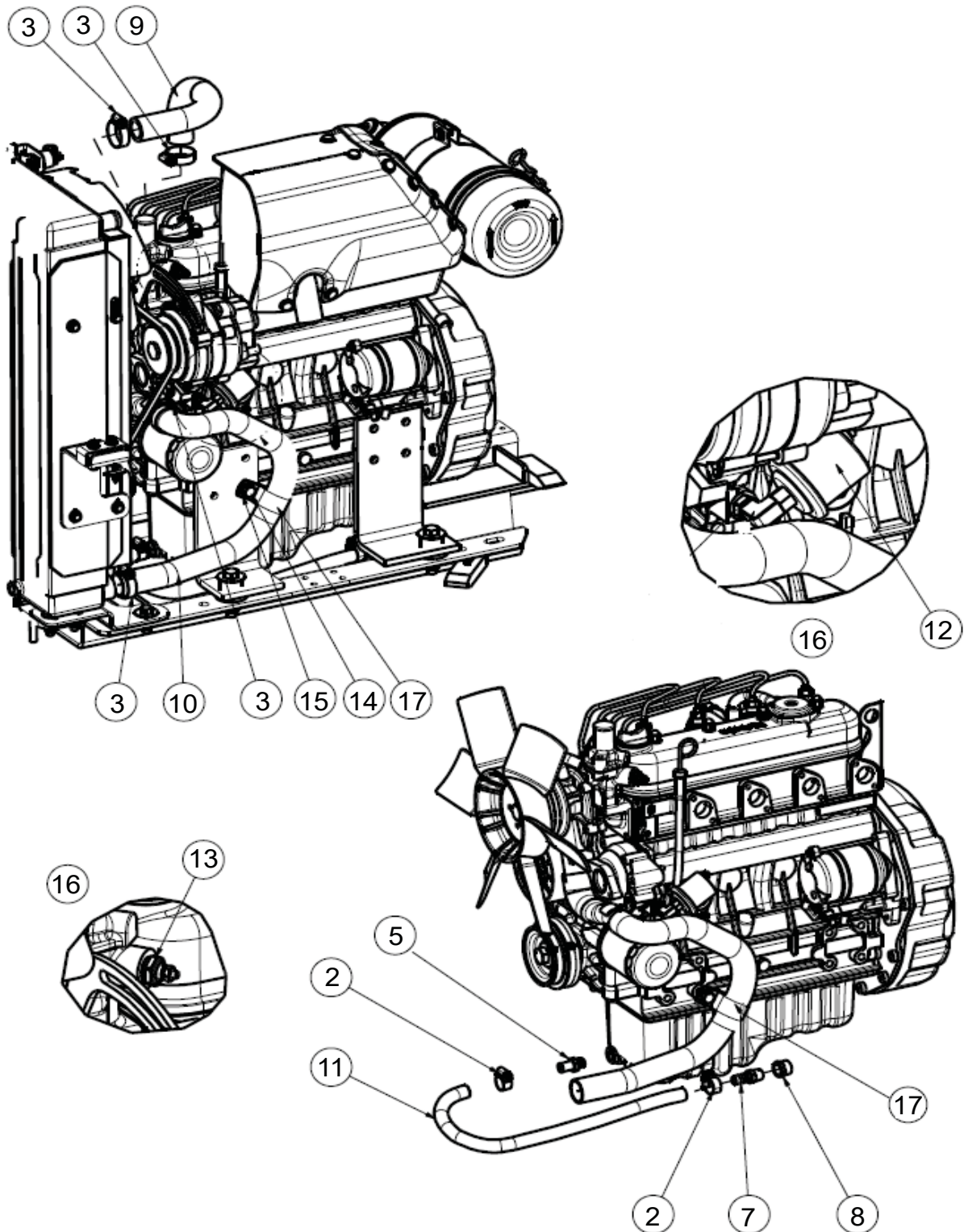
| ENGINE KUBOTA V1505 DIESEL - RADIATOR COOLANT TANK & MOUNT | | | |
|---|-----------------|--------------|---|
| ITEM | PART NO. | REQ'D | DESCRIPTION |
| 1 | 713527 | 1 | P-CLAMP, VINYL COVERED, 1/2 DIA |
| 2 | 3301158 | 1 | CLAMP-CABLE 11/16" DIA CLAMP-SADDLE TYPE 5/16" DIA. |
| 3 | 3344101 | 1 | RESERVOIR ASSY |
| 4 | 3344112 | 4 | ISOLATOR- CYLINDRICAL, 1 DIA X 3/4 X 1/4-20, |
| 5 | 713002 | 6 | BLT-HH 1/4-20 X .75 #5 ZINC |
| 6 | 711373 | 10 | NUT-NYLOC 1/4-20 |

ENGINE KUBOTA V1505 DIESEL - RADIATOR ASSEMBLY & MOUNTING BRACKETS



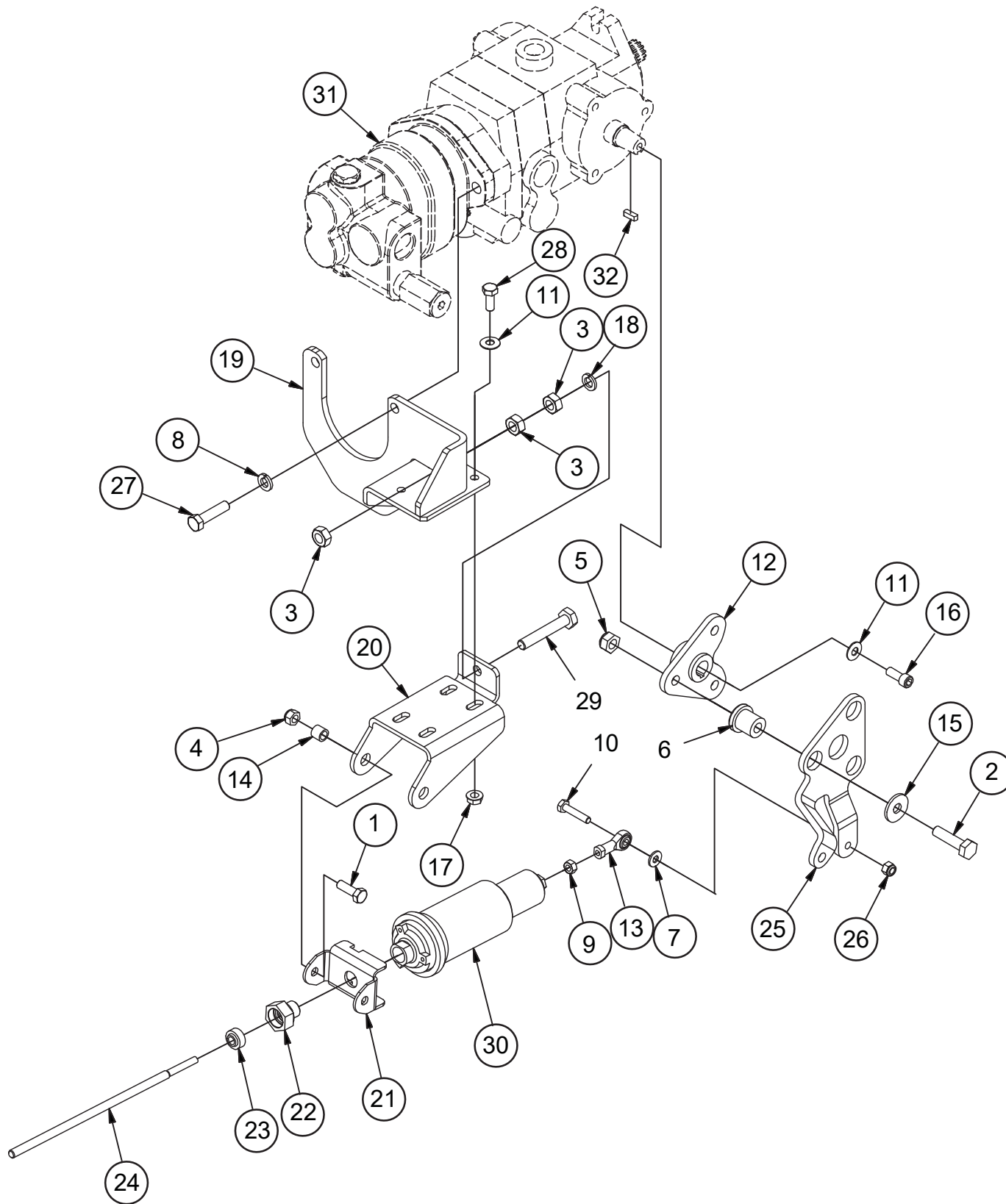
| ENGINE KUBOTA V1505 DIESEL - RADIATOR ASSEMBLY & MOUNTING BRACKETS | | | |
|---|-----------------|--------------|--|
| ITEM | PART NO. | REQ'D | DESCRIPTION |
| 1 | 3301158 | 1 | CLAMP-SADDLE TYPE 11/16" DIA. |
| 2 | 3400103 | 8 | WASHER-LOCK 1/4 SPLIT |
| 3 | 690125 | 1 | RADIATOR-OIL COOLER COMBO |
| 4 | 690150 | 1 | ASSY, FAN SHROUD, DSL/LP/GAS |
| 5 | 690033LH | 1 | PLATE- BASE, RADIATOR MOUNT, AM9D, LH |
| 6 | 3336627 | 1 | PLT-RADIATOR MNT, RH TOP |
| 7 | 3336629 | 2 | PLT - RADIATOR MNT, LH TOP |
| 8 | 690410 | 1 | PLT - EXHAUST MNT BRKT, LH |
| 9 | 690622 | 1 | PLT - EXHAUST MNT, UPPER BRKT |
| 10 | 3336634 | 1 | PLT - RADIATOR MNT |
| 13 | 3344110 | 2 | ISOLATOR-BONDED BUSHING BOTTOM RADIATOR |
| 14 | 3344112 | 2 | ISOLATOR- CYLINDRICAL, 1 DIA X 3/4 X 1/4-20, |
| 15 | 3400007 | 4 | SCR-CAR,3/8-16X1.25 |
| 18 | 711207 | 6 | BLT-HH 1/4-20 X 1.00 STL ZINC |
| 19 | 3400071 | 4 | NUT-HEX 1/4-20 |
| 20 | 711380 | 6 | NUT-NYLOC 3/8-16 |
| 21 | 3400089 | 8 | WASHER-FLAT 1/4 ZP |
| 22 | 3400278 | 2 | WASHER-FENDER 3/8 |
| 23 | 3401570-7W | 4 | WASHER-NORD-LOCK, 1/4, 0.53 OD |
| 24 | 661133 | 1 | BRKT, RADIATOR, UPPER |
| 25 | 3334426 | 1 | ISOLATOR-RAD MNT |
| 26 | 713527 | 1 | P-CLAMP, VINYL COVERED, 1/2 DIA |
| 27 | 711374 | 2 | NUT-NYLOC 5/16-18 ZP |
| 28 | 713001 | 1 | SCR-HH 1/4-20 X .62 PLAIN GR 5 |
| 29 | 713002 | 1 | SCR-HH 1/4-20 X .75 ZP 5 |
| 30 | 82-54-A | 1 | CLAMP-P .75 I.D. 5/16 DIA. |
| 31 | 711228 | 1 | SCR-HH 5/16-18 X .75 ZP GR 5 |

ENGINE KUBOTA V1505 DIESEL - RADIATOR ASSEMBLY, CLAMPS, HOSES & SENDERS



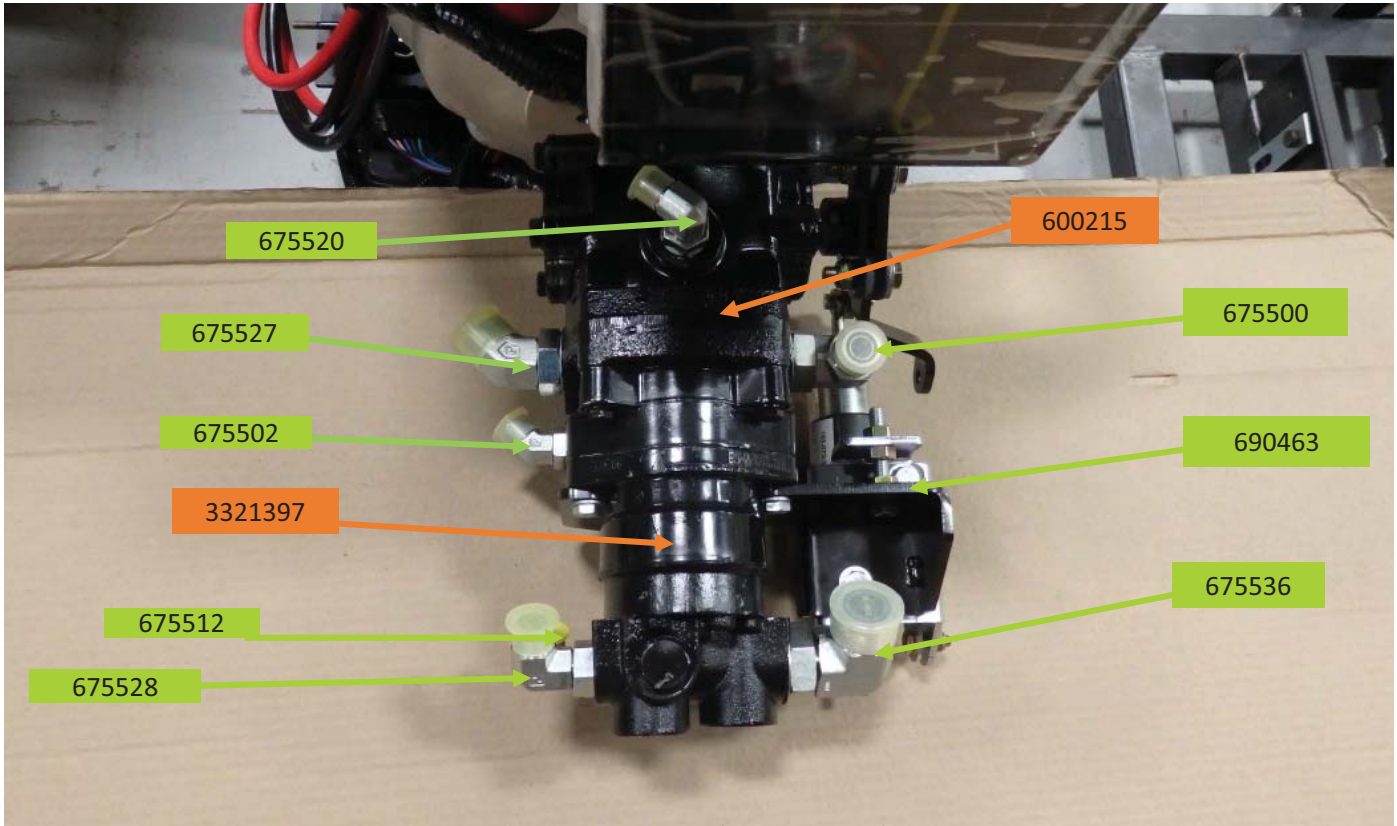
| ENGINE KUBOTA V1505 DIESEL - RADIATOR ASSEMBLY, CLAMPS, HOSES & SENDERS | | | |
|--|-----------------|--------------|---|
| ITEM | PART NO. | REQ'D | DESCRIPTION |
| 2 | 713527 | 2 | CLAMP-HOSE 1/2 NOM |
| 3 | 3301158 | 4 | CLAMP-HOSE 1.25 NOM |
| 5 | 3345502 | 1 | ADAPTER, OIL DRAIN - MALE/FEMALE |
| 7 | 3345503 | 1 | FTG-BRASS,3/8" BARB X 1/4" MALE NPT |
| 8 | 3345506 | 1 | FTG-BRASS,3/8" BARB X 1/4" FEMALE NPT |
| 9 | 3332643 | 1 | HOSE-RAD UPPER 1505 |
| 10 | 3332644 | 1 | HOSE-RAD LOWER 1505 |
| 11 | 3345505 | 1 | HOSE - 1/2" ID X 24" PCV OIL DRAIN |
| 12 | 3341069 | 1 | SENDER-OIL PRESSURE 12V |
| 13 | 3341070 | 1 | SENDER-TEMPERATURE 12V |
| 14 | 711206 | 2 | SCR-HH 1/4-20 X .87 ZP GR 5 |
| 15 | 3400385 | 1 | WASHER-CONICAL SPRING 3/8 |
| 16 | 3401122 | 0.100 | 565 PST. Thrd Slnt 50ml (WHITE LOCTITE 565) |
| 17 | 3343082 | 1 | CLAMP-PIPE, 9/16 DIA, INSULATED |

ENGINE KUBOTA V1505 DIESEL - LH PUMP CENTERING GROUP 690485



| ENGINE KUBOTA V1505 DIESEL - LH PUMP CENTERING GROUP 690485 | | | |
|--|-----------------|--------------|--|
| ITEM | PART NO. | REQ'D | DESCRIPTION |
| 1 | 11038247 | 2 | BLT-HH M8-1.25 X 25 STL ZINC |
| 2 | 11038395 | 3 | BOLT, M10-1.50 X 40 HH |
| 3 | 12022067 | 3 | NUT, M10-1.50 HEX |
| 4 | 12040051 | 2 | NUT, M8-1.25 ESN |
| 5 | 12040069 | 3 | NUT, M10-1.50 ESN |
| 6 | 3300465 | 3 | ISOLATOR, VIB |
| 7 | 3400089 | 1 | WASHER, 1 4 .625 X .281 X .063 |
| 8 | 3400101 | 2 | LOCK WASHER, 3 8 HS MED |
| 9 | 3400180 | 1 | NUT, 1 4-28 |
| 10 | 3400227 | 1 | SCREW, 1 4-20 X 1.25 ZP |
| 11 | 3400384 | 3 | WASHER, 5 16 BELLEVILLE |
| 12 | 600141 | 1 | WELDMENT, DIR CONT HUB |
| 13 | 600175 | 1 | ROD END, FEM 1 4-28 |
| 14 | 600315 | 2 | SPACER, .344 B .485 OD .425 T |
| 15 | 600363 | 3 | WASHER, ISOLATOR |
| 16 | 600895 | 1 | BOLT, 5 16-24 X .75 SHCS |
| 17 | 600934 | 2 | NUT, M8-1.25 FLNG |
| 18 | 600945 | 1 | LOCK WASHER, M10 |
| 19 | 690463 | 1 | WELDMENT, HYDROBACK MNT |
| 20 | 690471 | 1 | MOUNT, ADJUSTER |
| 21 | 690472 | 1 | CHANNEL, DIR CONT |
| 22 | 690473 | 1 | NUT, DIR CONT |
| 23 | 690474 | 1 | SPHERICAL BUSHING, PLASTIC |
| 24 | 690475 | 1 | ROD, DIR CONT |
| 25 | 690476 | 1 | ARM, DIR CONT |
| 26 | 711377 | 1 | NUT, FIBER INSERT 1 4-20 |
| 27 | 713044 | 2 | SCREW, 3 8-16 X 1.50 HHC |
| 28 | 717024 | 2 | BOLT, M8-1.25 X 20 HH |
| 29 | 730481 | 1 | BOLT, M10-1.50 X 60 HH ALL-THRD |
| 30 | 731181 | 1 | HYDROBACK UNIT |
| 31 | 3321397 | 1 | PUMP-AUX HYDRAULIC (9XR, 9XD, 10X, AM9D) |

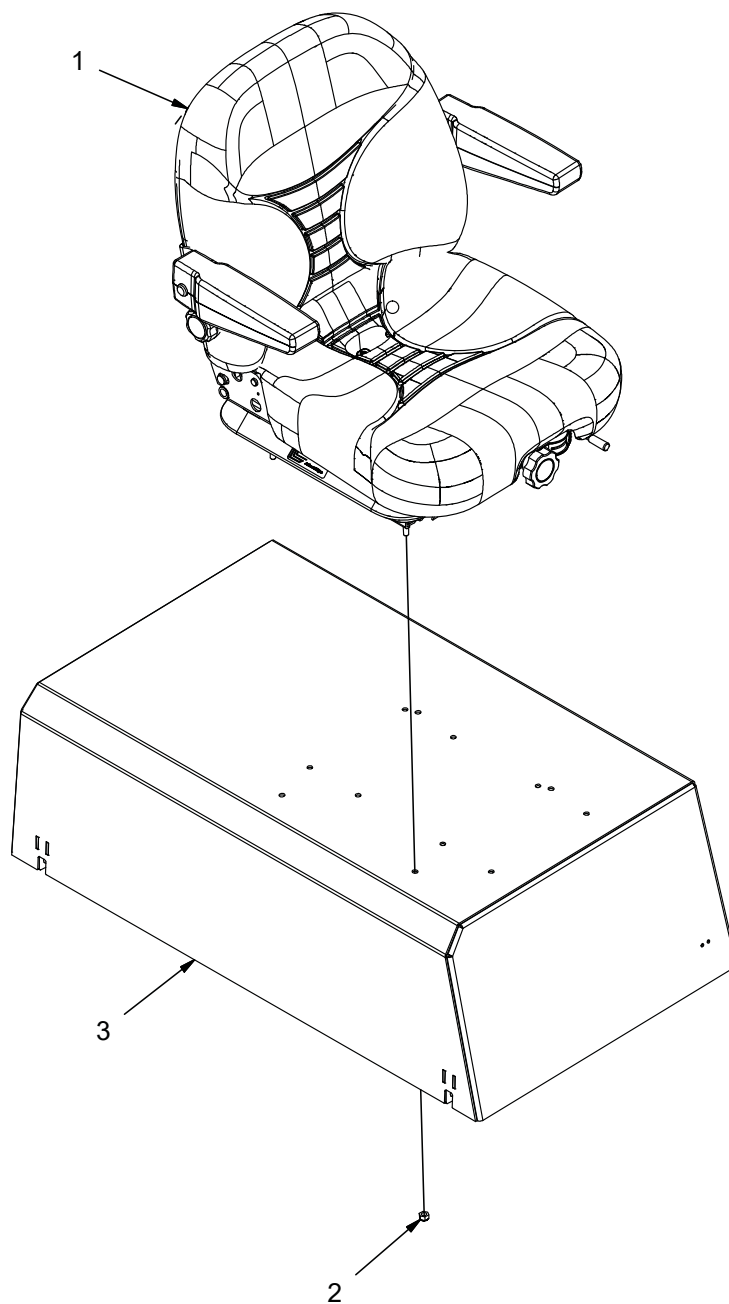
HYDRAULIC AUXILIARY PUMP AND FITTINGS



| HYDRAULIC AUXILIARY PUMP AND FITTINGS | |
|--|-------------------------------|
| PART NO. | DESCRIPTION |
| 675520 | FTG-ORFS 90 ELBOW -6 -8 SAE |
| 675527 | FTG-ORFS 45 ELBOW -8 -8 SAE |
| 675502 | FTG-ORFS 45 ELBOW -12 -12 SAE |
| 3321397 | PUMP-AUX HYDRAULIC |
| 675512 | FTG-ORFS 90 ELBOW -4 -8 SAE |
| 675528 | FTG-ORFS 90 ELBOW -8 -10 SAE |
| 600215 | PUMP PROPULSION |
| 675500 | FTG-ORFS 90 ELBOW -10 -12 SAE |
| 690463 | WELD, HYDROBACK MNT |

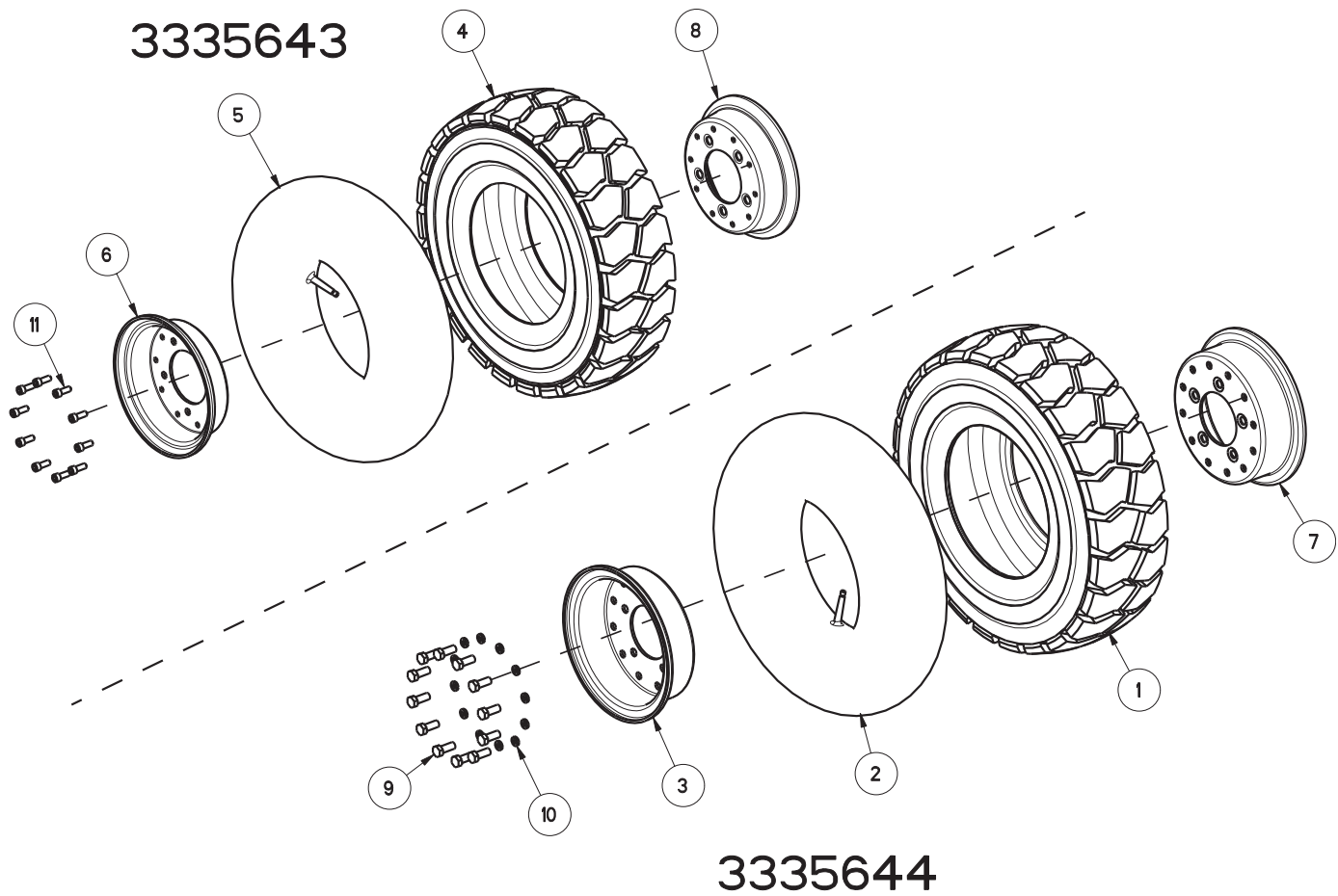
OPTIONS

OPT - SUSPENSION SEAT (600005)



| OPT - SUSPENSION SEAT (600005) | | | |
|---------------------------------------|-----------------|--------------|----------------------------------|
| ITEM | PART NO. | REQ'D | DESCRIPTION |
| 1 | 623001 | 1 | SEAT, SUPENSION WITH SEAT BELT |
| 2 | 711374 | 4 | NUT-NYLOC 5/16-18 ZP |
| | 3400088 | 4 | WASHER-FLAT 5/16 X.688 X .065 ZP |
| | 3400478 | 4 | SCR-SHCS 5/16-18 X 1.0 ZP |
| 3 | *** | | PUMP COVER |

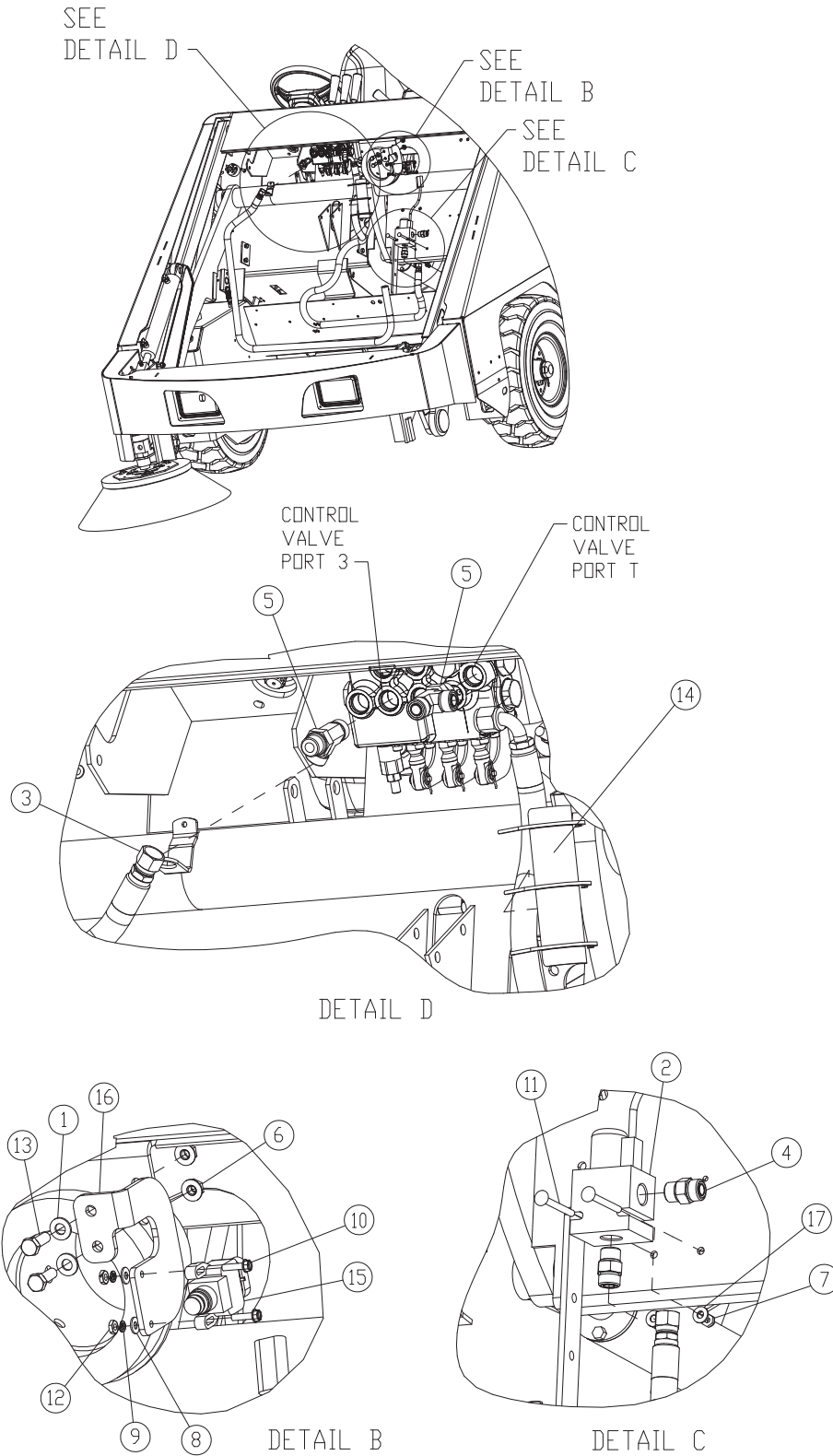
OPT - TIRES PNEUMATIC WITH WELDED NUTS (660075)



| OPT - TIRES PNEUMATIC WITH WELDED NUTS (660075) | | | |
|---|----------|-------|---------------------------------|
| ITEM | PART NO. | REQ'D | DESCRIPTION |
| 1 | 3307252 | 1 | TIRE-PNEUMATIC 650x10(W/TUBE) |
| 2 | 3307253 | 1 | TUBE-TIRE INNER, 650x10 |
| 3 | 3307254 | 1 | RIM-FRONT INNER SW/A PNTD |
| 4 | 3307256 | 1 | TIRE-PNEUMATIC 6.00 X 9 |
| 5 | 3307257 | 1 | TUBE-TIRE 600 X 9 |
| 6 | 3307258 | 1 | RIM-REAR INNER SW/A |
| 7 | 3335719 | 1 | RIM-FRONT OUTER, 12 WELDED NUTS |
| 8 | 3335720 | 1 | RIM-DRIVE OUTER, 10 WELDED NUTS |
| 9 | 3400022 | 12 | SCR-HEX, 1/2-13X1.25 GR 5 ZP |
| 10 | 3400098 | 12 | WASHER-LOCK 1/2 SPLIT ZP |
| 11 | 3401607 | 10 | SCR-SOC, 3/8-16 X 1.0, ZP |

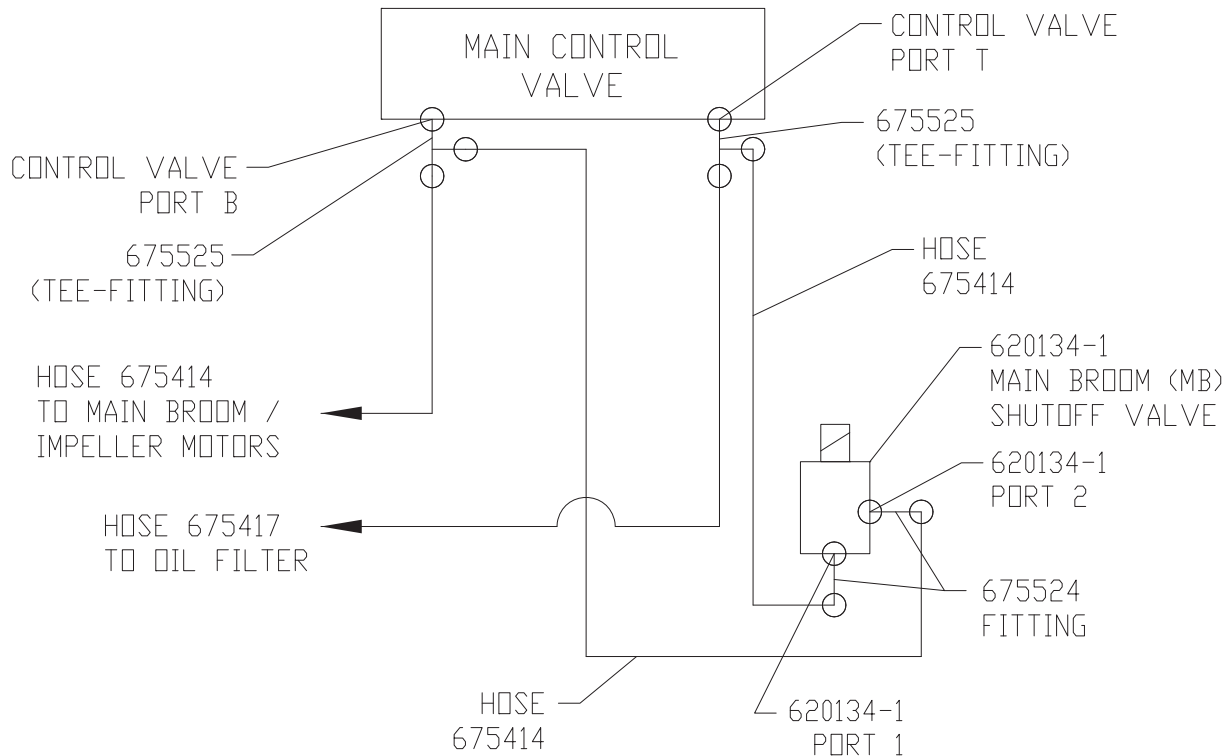
OPT - RAISE HOPPER, MAIN BROOM SHUT OFF (690100)

(CONTINUED NEXT PAGE)



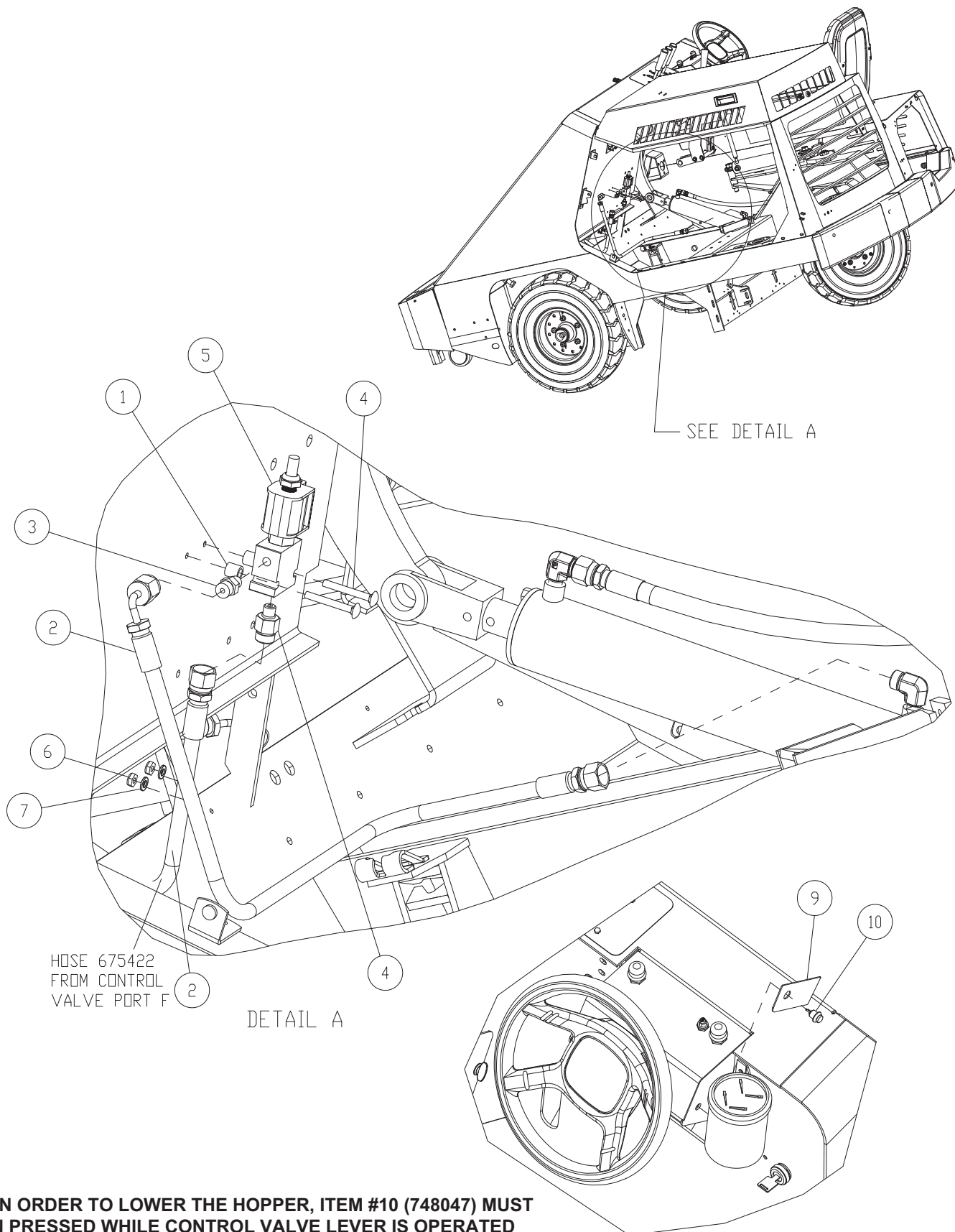
OPT - RAISE HOPPER, MAIN BROOM SHUT OFF (690100)

| ITEM | PART NO. | REQ'D | DESCRIPTION |
|------|----------|-------|--|
| 1 | 600941 | 2 | WASHER .344 ID x .688 OD x.065 THICK STE |
| 2 | 620134-1 | 1 | ASSY VALVE, SOLENOID N/C |
| 3 | 675414 | 2 | HYD HOSE - CONT VALVE TO IMP MOTOR |
| 4 | 675524 | 2 | FTG-STR THD CONNECTOR -8 ORFS TO -8 SA |
| 5 | 675525 | 2 | FTG-STR THD RUN TEE -8 ORFS TO -8 SAE |
| 6 | 711379 | 2 | NUT-FLANGED WIZZ 5/16-18 |
| 7 | 711387 | 2 | NUT-NYLOC 1/4-20 1/2NUT |
| 8 | 711503 | 2 | WSR-FLT #10 (SPECIAL FLAT WASHER) |
| 9 | 711543 | 2 | WSR-HELICAL #10 |
| 10 | 712550 | 2 | SCR-IHWH SLOT 10-32X.75 18-8 SS |
| 11 | 712573 | 2 | BLT-CARR 1/4-20 X 2.50 SS |
| 12 | 712636 | 2 | NUT-HEX 10-32 SS |
| 13 | 713027 | 2 | BLT-HH 5/16-18 X 1 #5 ZP |
| 14 | 730690 | 1 | 4" HOSE PROTECTOR (10 PK) |
| 15 | 3335945 | 1 | SWITCH-COBO W/ AMP CONNECTOR |
| 16 | 3337340 | 1 | PLT - HOPPER POSITION SWITCH MOUNT |
| 17 | 3400089 | 2 | WASHER-FLAT 1/4 STANDARD ZP |



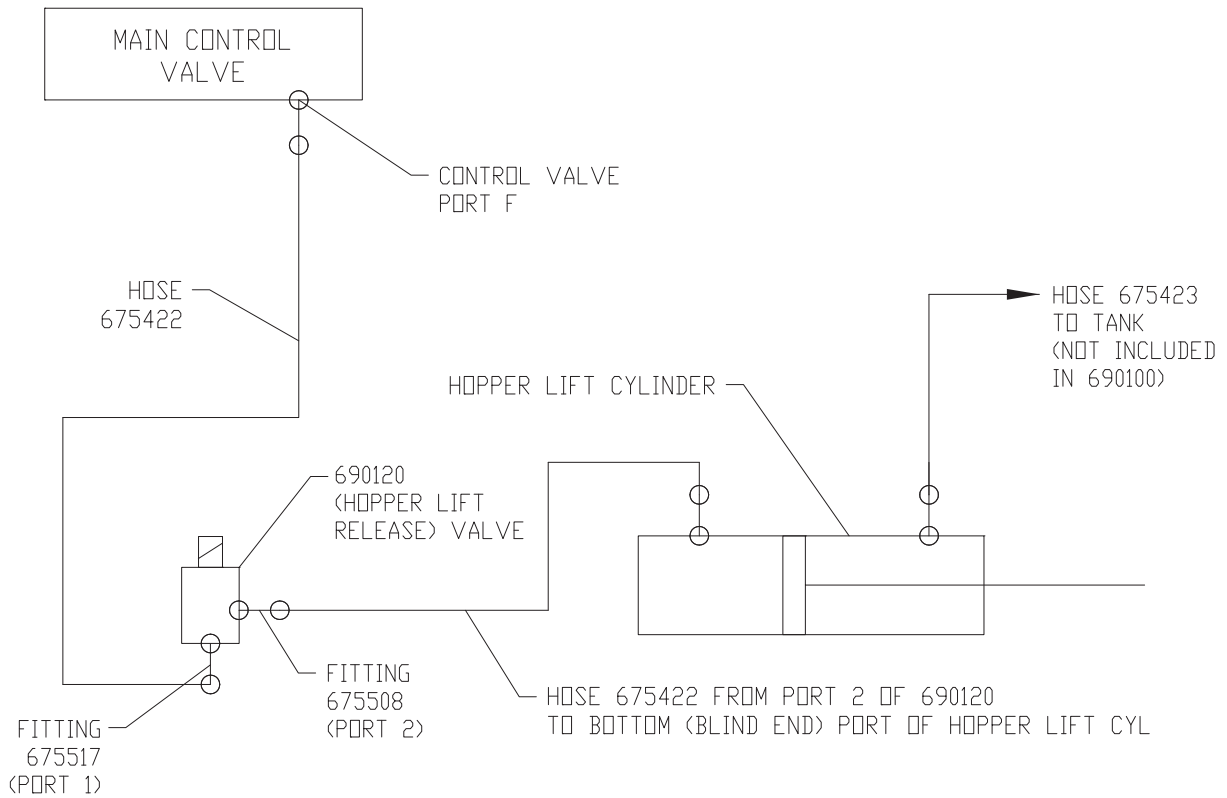
MAIN BROOM SHUTOFF
HYDRAULIC CIRCUIT (ISOLATED)

OPT - RAISE HOPPER, MAIN BROOM SHUT OFF (690100) - CONTINUED



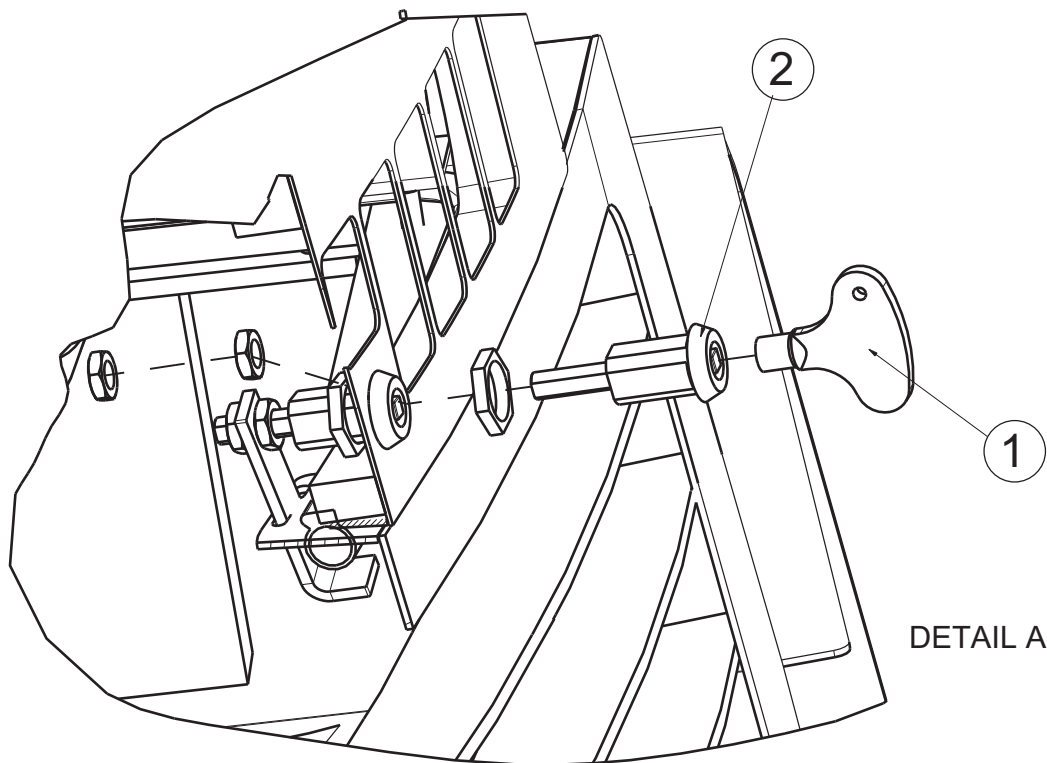
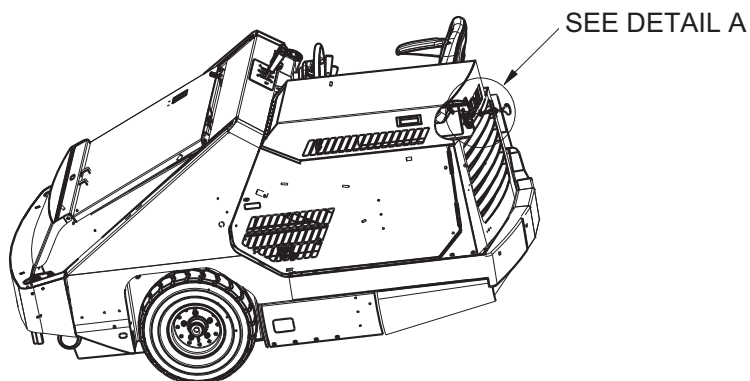
NOTE: IN ORDER TO LOWER THE HOPPER, ITEM #10 (748047) MUST REMAIN PRESSED WHILE CONTROL VALVE LEVER IS OPERATED

| OPT - RAISE HOPPER, MAIN BROOM SHUT OFF (690100) | | | |
|--|----------|-------|--|
| ITEM | PART NO. | REQ'D | DESCRIPTION |
| 1 | 600114 | 2 | SPACER, .328 B .498 OD .500 ,SS |
| 2 | 675422 | 2 | HYD HOSE - LIFT CYL TO CONT VALVE E |
| 3 | 675508 | 1 | FTG-STR THD CONNECTOR -4 ORFS TO -4 SA |
| 4 | 675517 | 1 | FTG-STR THD CONNECTOR -6 ORFS TO -4 SA |
| 5 | 690120 | 1 | ASSY, HOPPER RETURN VALVE, 9X CE |
| 6 | 711387 | 2 | NUT-NYLOC 1/4-20 1/2NUT |
| 7 | 711566 | 2 | WSR-FLT .259 X .50 X .065 |
| 8 | 712572 | 2 | BLT-CARR 1/4-20 X 2.00 SS |
| 9 | 690151 | 1 | DECAL, HOPPER UNLOCK - 9X CE |
| 10 | 748047 | 1 | SECONDHAND OPERATION PUSH BUTTON |



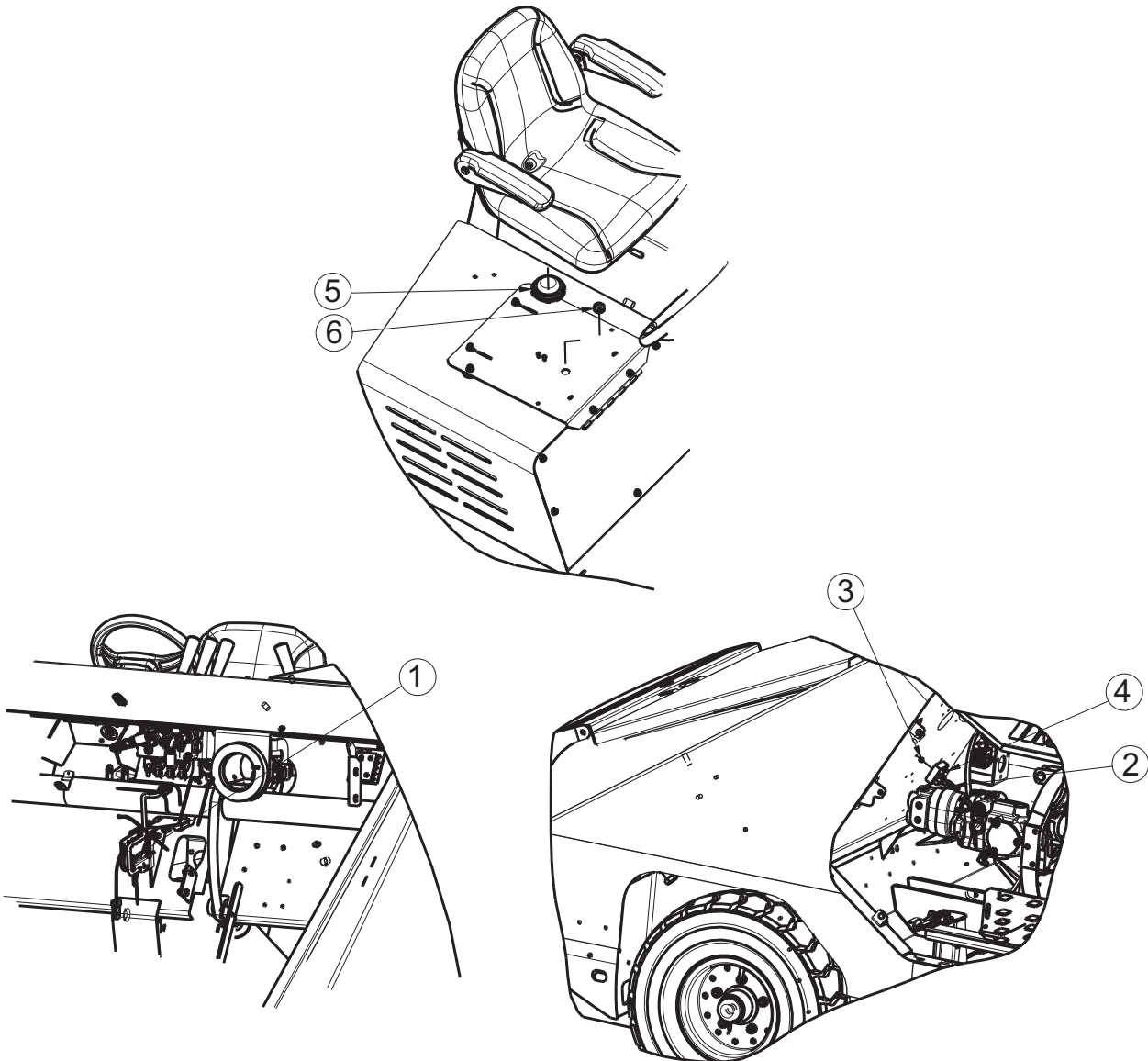
HOPPER LIFT CYL RELEASE
HYDRAULIC CIRCUIT (ISOLATED)

OPT - KEY LATCH 9X (690102)



| OPT - CE KEY LATCH 9X (690102) | | | |
|---------------------------------------|-----------------|--------------|--------------------------------|
| ITEM | PART NO. | REQ'D | DESCRIPTION |
| 1 | 3343016 | 1 | KEY-LATCH 7MM SQUIRE |
| 2 | 3343017 | 1 | LATCH-VISE ACTION LARGE, KEYED |

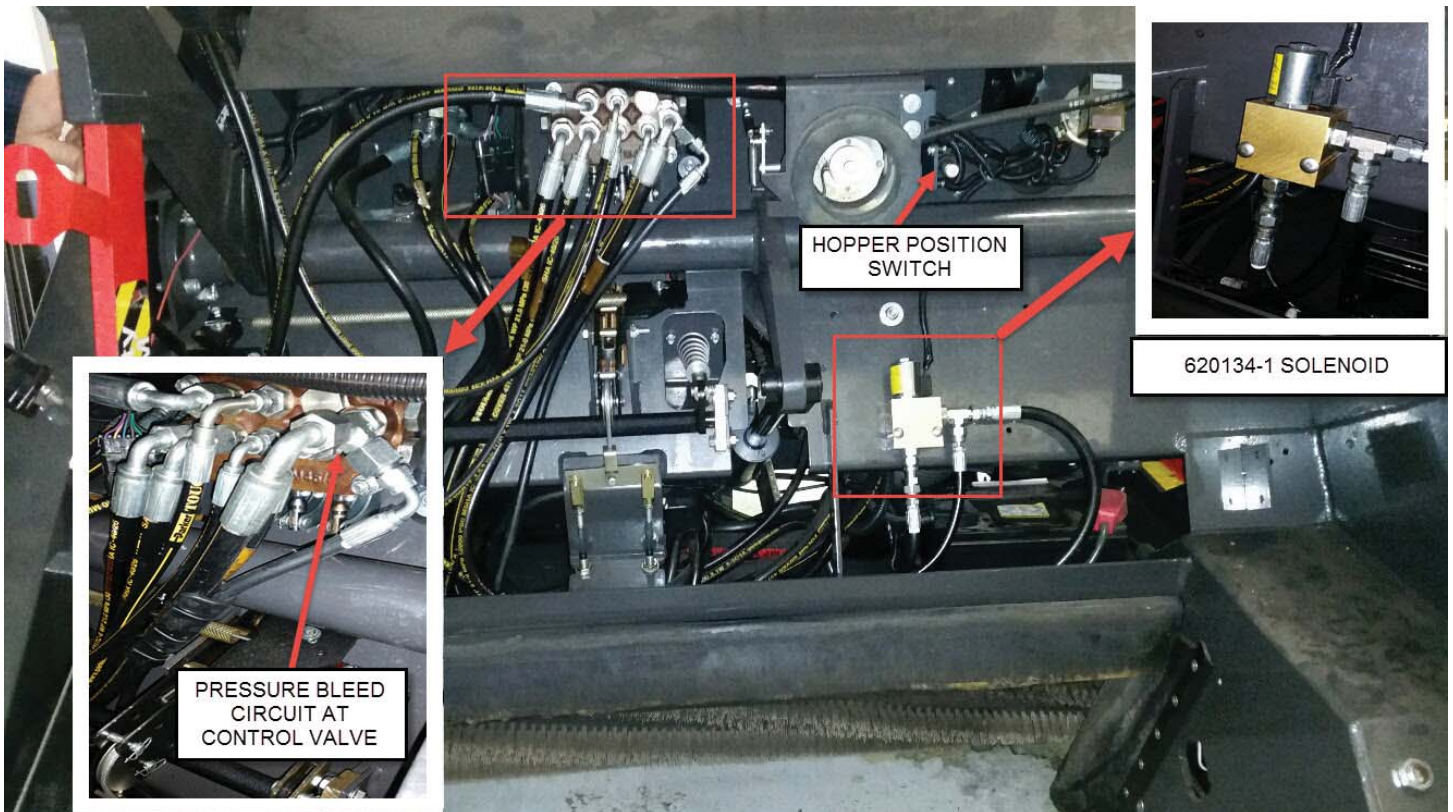
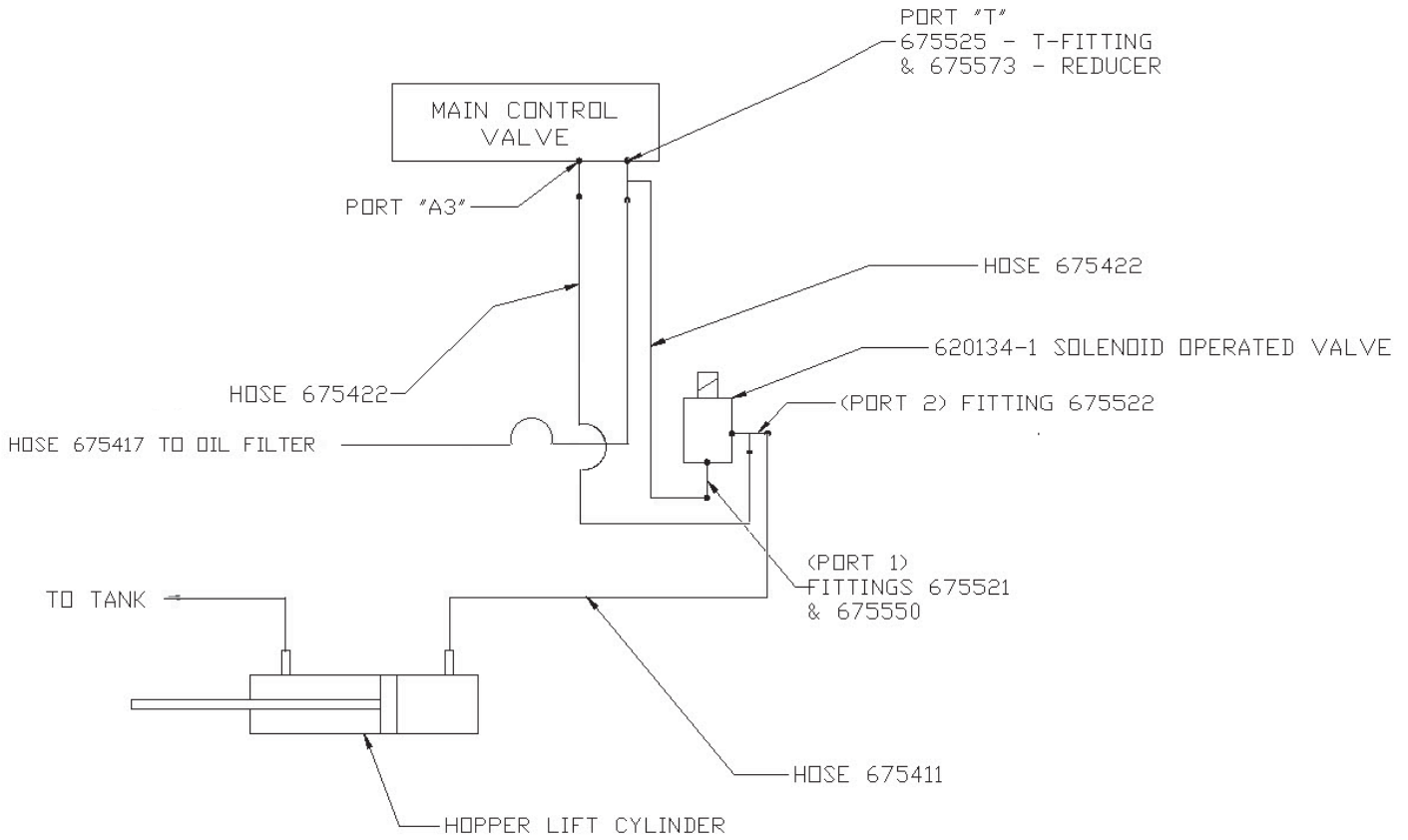
OPT - SEAT SWITCH ENGINE SHUT OFF (690147)



OPT - SEAT SWITCH ENGINE SHUT OFF (690147)

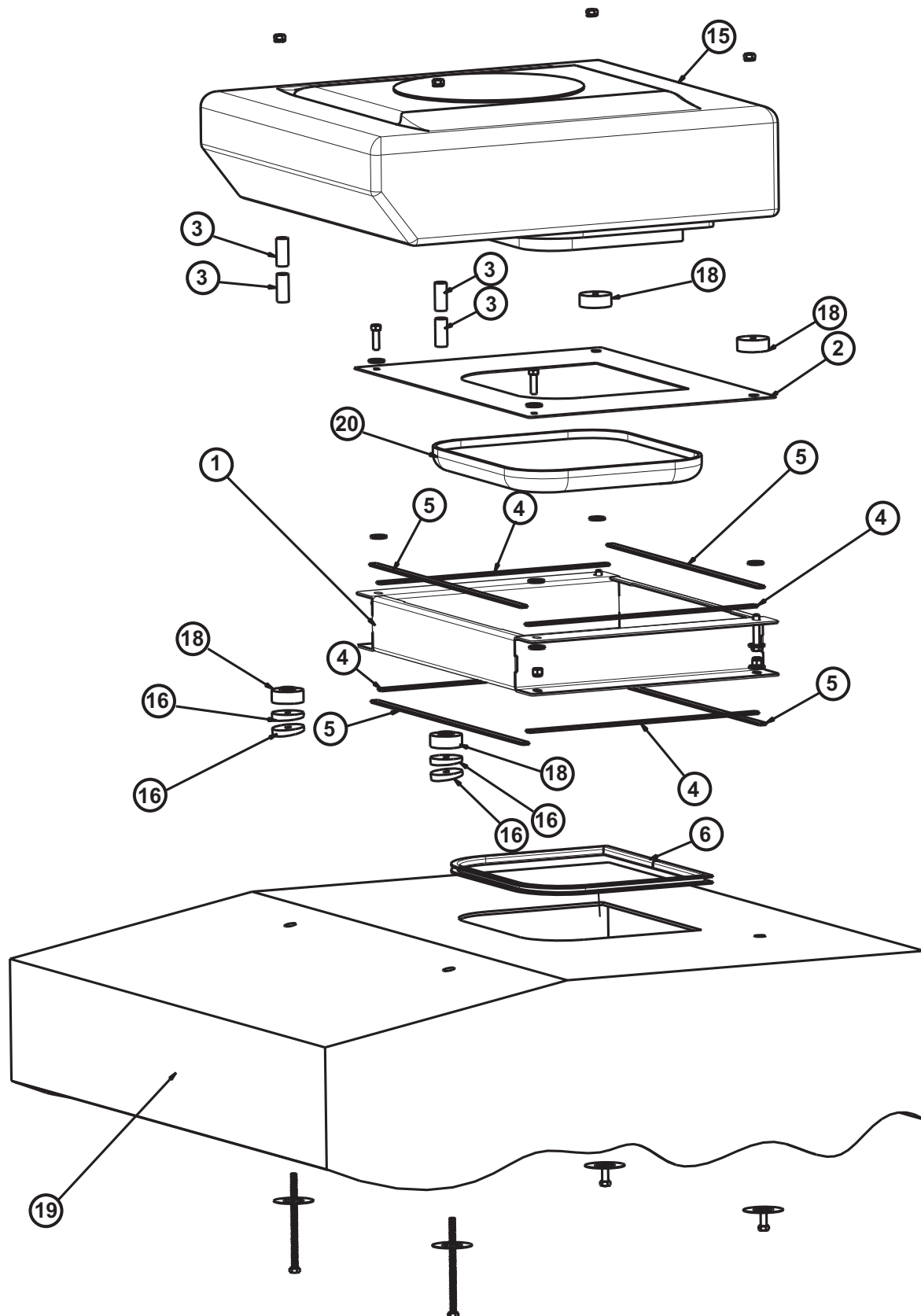
| ITEM | PART NO. | REQ'D | DESCRIPTION |
|------|----------|-------|---|
| 1 | 690322 | 1 | GROUP, SEAT SWITCH BYPASS - 9X |
| 2 | 711210 | 1 | BLT-HH 1/4-20 X 1.25 STL ZINC FULL THRD |
| 3 | 711373 | 1 | NUT-NYLOC 1/4-20 |
| 4 | 741036 | 1 | TIMER-RELAY-TRUE OFF 12V 3 SEC |
| 5 | 748445 | 1 | DELTA SW - N/O TWIST LOCK |
| 6 | 3311564 | 1 | GROMMET-RUBBER, 1/2 ID |

OPT - HOPPER PRESSURE BYPASS (690231)

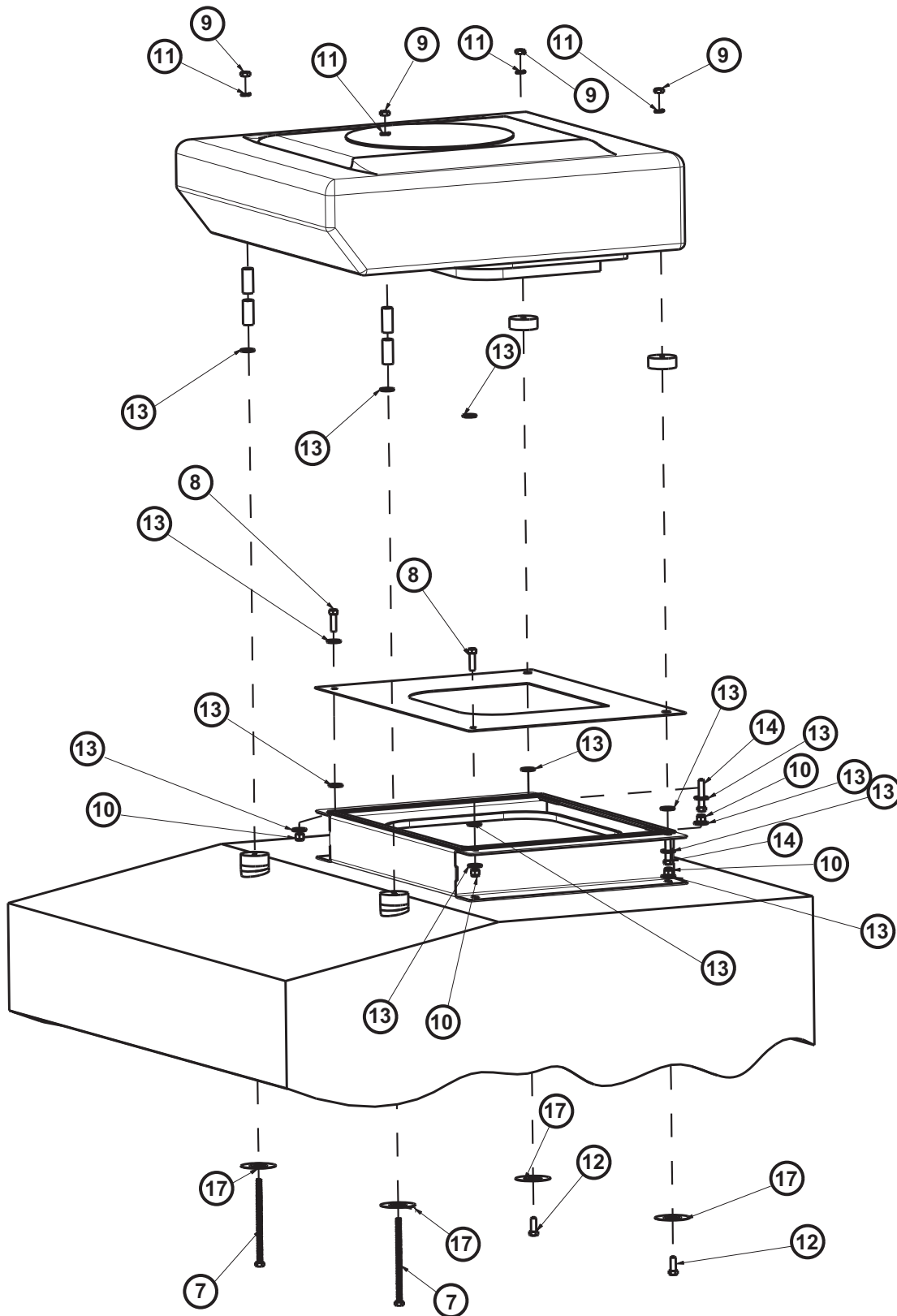


| OPT - HOPPER PRESSURE BYPASS (690231) | | |
|--|--------------|--|
| PART NO. | REQ'D | DESCRIPTION |
| 3335945 | 1 | SWITCH-COBO W/ AMP CONNECTOR |
| 3337340 | 1 | PLT - HOPPER POSITION SWITCH MOUNT |
| 3400035 | 2 | SCR-HH 5/16-18 X 1.00 ZP GR 5 |
| 3400384 | 2 | WASHER-CONICAL SPRING 5/16 |
| 620134-1 | 1 | ASSY VALVE, SOLENOID N/C |
| 675411 | 1 | HYD HOSE - PS UNIT TO ROT ACT P2 |
| 675422 | 1 | HYD HOSE - LIFT CYL TO CONT VALVE E |
| 675521 | 1 | FTG-STR THD CONNECTOR -6 ORFS TO -8 SA |
| 675522 | 1 | FTG-STR THD RUN TEE -6 ORFS TO -8 ORFS T |
| 675525 | 1 | FTG-STR THD RUN TEE -8 ORFS TO -8 SAE |
| 675550 | 1 | FITTING ORIFICE .047 #6 |
| 675573 | 1 | FITTING |
| 711310 | 2 | NUT-HEX 10-32 ZP |
| 711379 | 2 | NUT-FLANGED WIZZ 5/16-18 ZP |
| 711387 | 2 | NUT-JAM 1/4-20 ZP NYLOC |
| 711503 | 2 | WASHER-FLAT #10 X .50 ZP |
| 711505 | 2 | WASHER-FLAT 1/4 ZP |
| 711543 | 2 | WASHER-LOCK #10 SPLIT ZP |
| 712550 | 2 | SCR-HH 10-32 X.75 SS SLOTTED WSH HEAD |
| 712573 | 2 | BLT-CARR 1/4-20 X 2.50 SS |
| 749017 | 1 | HARNESS ASSY, HOPPER SWITCH |

OPT - AIR CONDITIONING UNIT RISER (690317)

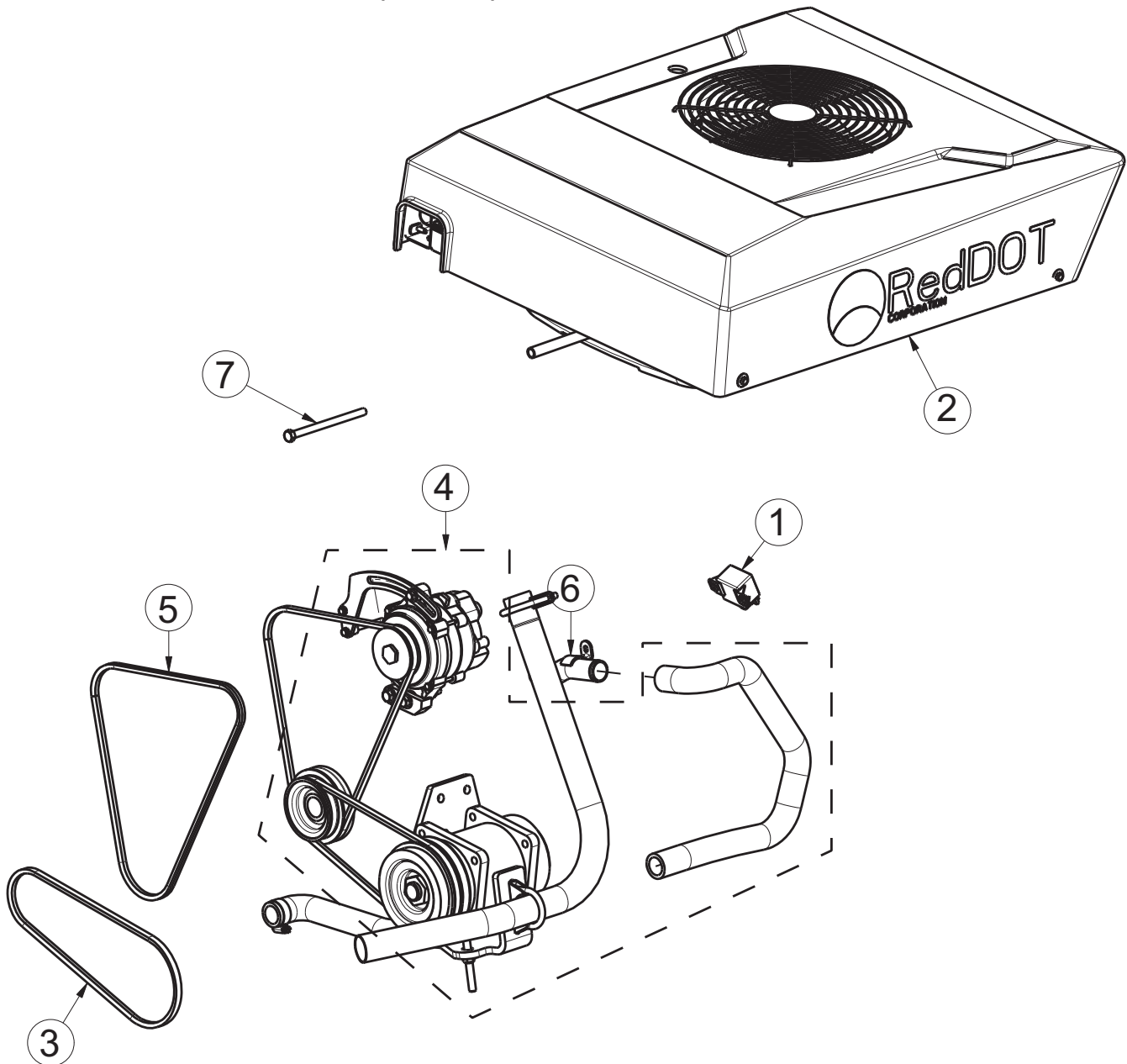


OPT - AIR CONDITIONING UNIT RISER (690317) (CONTINUED)



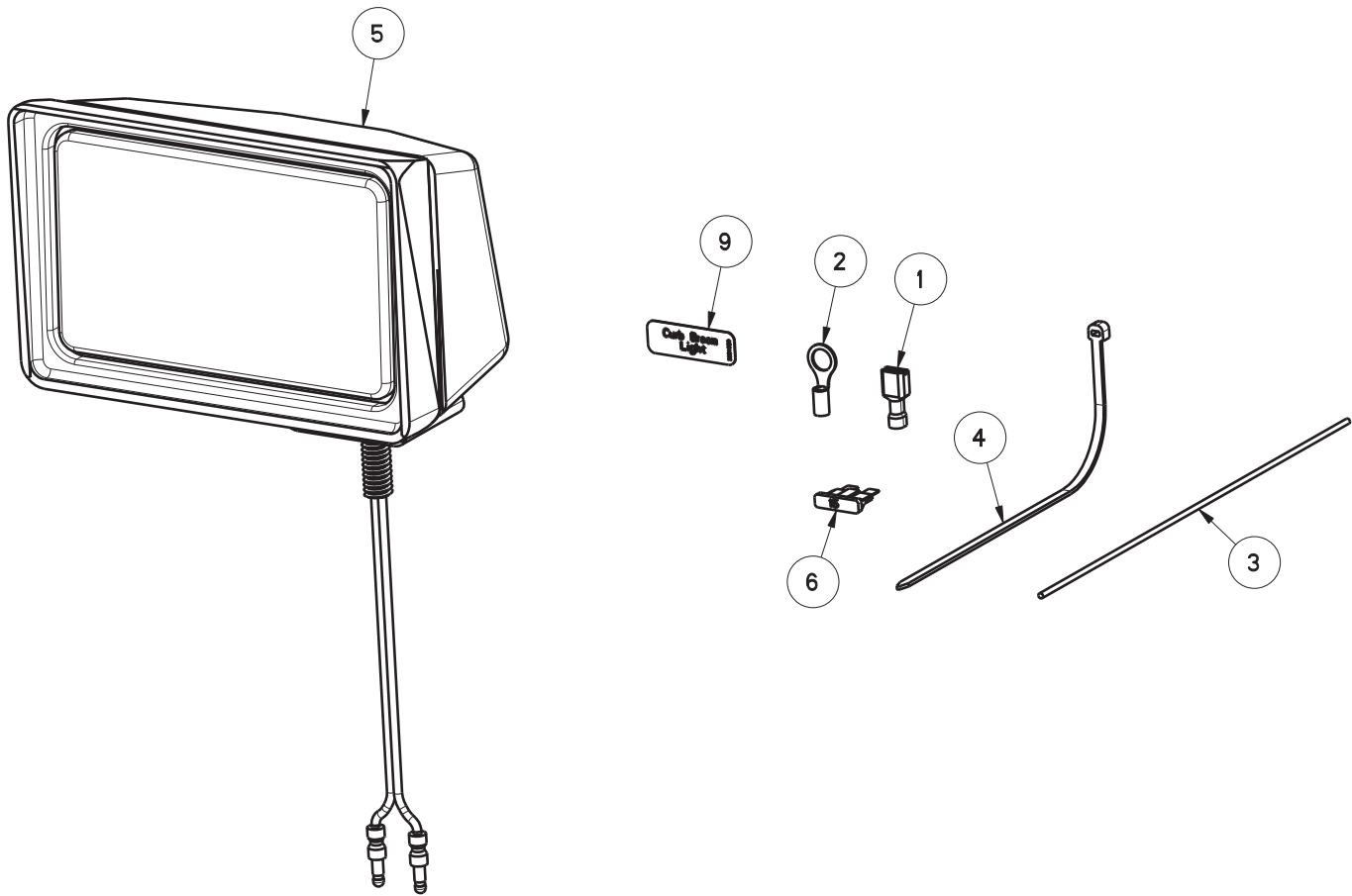
| OPT - AIR CONDITIONING UNIT RISER (690317) | | | |
|---|-----------------|--------------|--|
| ITEM | PART NO. | REQ'D | DESCRIPTION |
| 1 | 690267 | 1 | RISER. AC UNIT |
| 2 | 690311 | 1 | PLT, TOP, RISER, AC INT |
| 3 | 690312 | 4 | SPACER, LDPE, 3/8 B X 3/4 OD X 1.75 LG |
| 4 | 690314 | 4 | SEAL RISER, AC UNIT, 18" |
| 5 | 690315 | 4 | SEAL, RISER, AC UNIT, 22" |
| 6 | 690316 | 1 | EDGING, CAB CUT OUT, AC UNT, 4T |
| 7 | 710595 | 2 | SCR-HH 3/8-16 X 6.00 ZP GR 5 FULL THREAD |
| 8 | 711250 | 2 | SCR-HEX 3/8-16X125 ZP |
| 9 | 711328 | 4 | NUT-HEX 3/8-16 ST PL |
| 10 | 711380 | 4 | NIIT-NYLOC 3/8-16 NUT |
| 11 | 711546 | 4 | WSR-HELICAL 3/8 |
| 12 | 3400030 | 2 | SCREW-HHM 3/8-16 X 1.0 LG ZP |
| 13 | 3400336 | 14 | WASHER 3/8 ID 1.0 OD X .105 THK SS |
| 14 | 3401454 | 2 | BOLT-HEX, TAP 3/8-16 X 2 ZP |
| 15 | AIR-COND-UNIT | 1 | ROOFTOP AIR COND UNIT (REF) |
| 16 | ANGLE-ISOLATOR | 4 | AC UNT ISOLATOR, ANGLED (REF) |
| 17 | CUP-WASHER | 4 | CIP WASHER (REF) |
| 18 | ISOLATOR | 4 | AC UNIT ISOLATOR IREFI |
| 19 | ROOFPANEL | 1 | CUTAWAY, CAB ROOF (REF) |
| 20 | VENTS | 1 | AC VENTS (REF) |

OPT - AIR CONDITIONING, DSL (3316990)



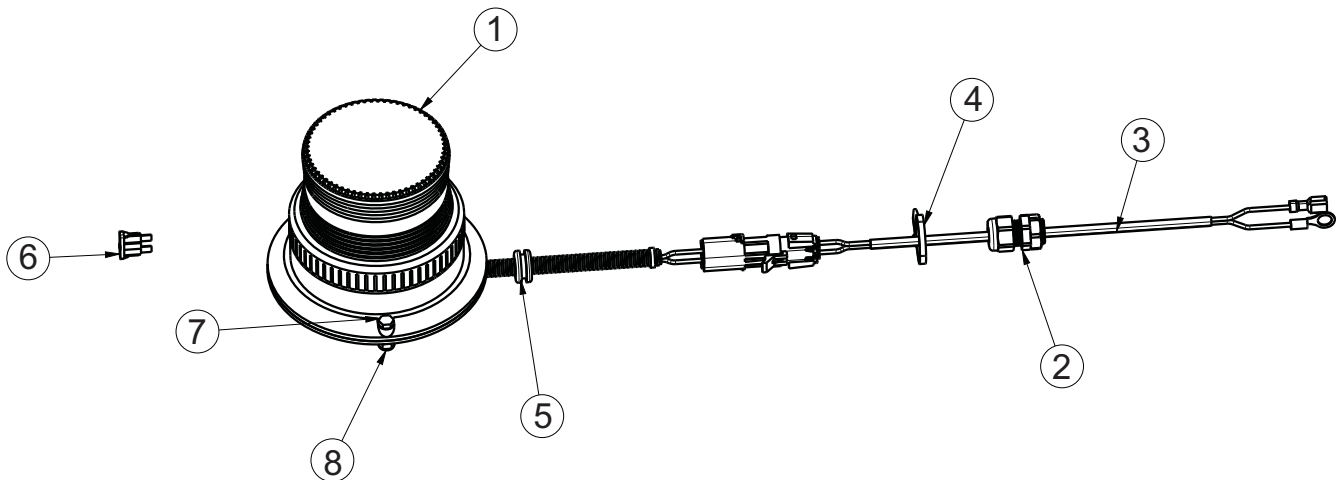
| OPT-AIR CONDITIONING, DSL (3316990) | | | |
|-------------------------------------|----------|-------|--|
| ITEM | PART NO. | REQ'D | DESCRIPTION |
| 1 | 740972 | 1 | RELAY-12V 75A AUTOMOTIVE |
| 2 | 3315679 | 1 | AIR COND UNIT-A/C OPT SW9X KBA |
| 3 | 3321394 | 1 | BELT-V 25/64 X 32-5/8 10X H25 |
| 4 | 3330886 | 1 | KIT-A/C (EPS) SW/9X V1505 KBA |
| 5 | 3332864 | 1 | BLT-ALTERNATOR LONG-SP 3330886 (USED PRIOR TO 2-26-16) |
| | 3302733 | | BELT-FAN (SP) (USED AFTER 2-26-16) |
| 6 | 3336946 | 1 | PIPE-WATER KUBOTA V1505 |
| 7 | 3402076 | 1 | SCR-HEX 3/8-16 X 5.50 ZP |

OPT - SPOTLIGHT, CURB BROOM (3316152)



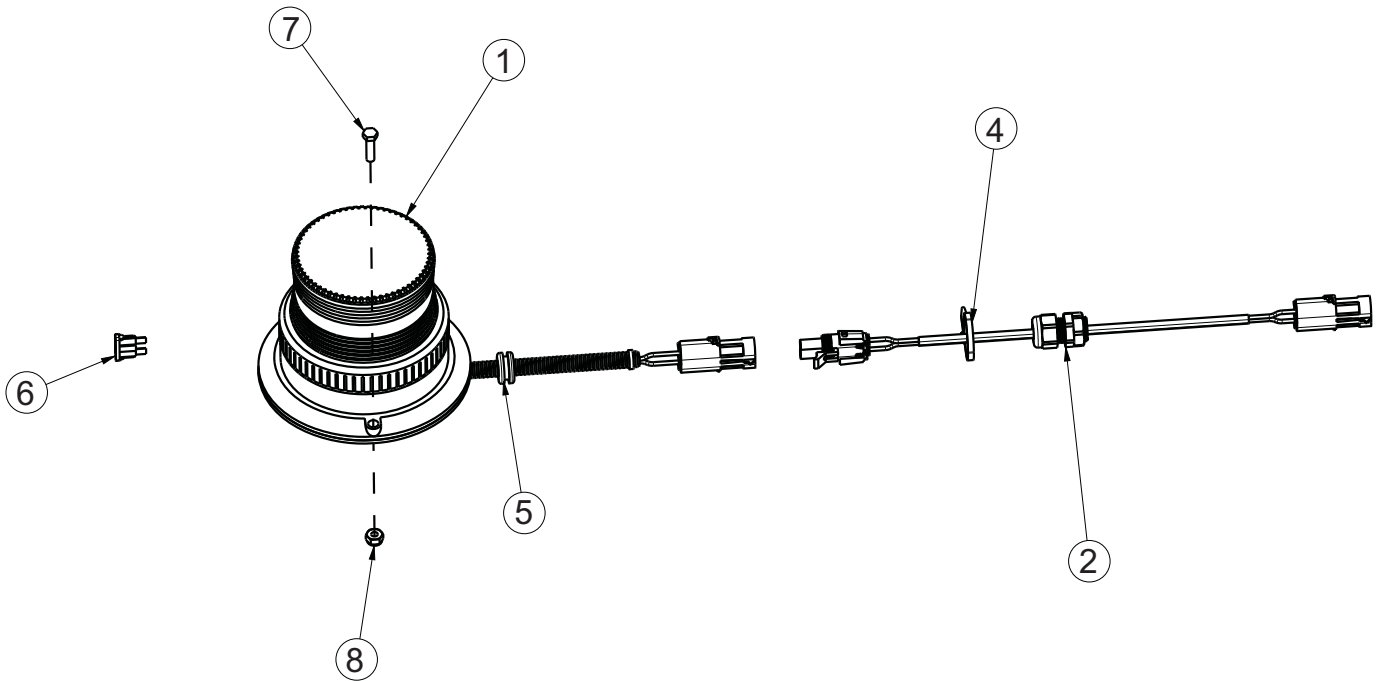
| OPT - SPOTLIGHT, CURB BROOM (3316152) | | | |
|--|-----------------|--------------|--|
| ITEM | PART NO. | REQ'D | DESCRIPTION |
| 1 | 740014 | 1 | QC-FEMALE 14-16G .250 FULL INSULATED |
| 2 | 740016 | 1 | RING TERM-16-14G 5/16" FULL INSULATED |
| 3 | 740102 | 1 | WIRE-MTW 16GA RED |
| 4 | 828062-B | 1 | CABLE TIE-LARGE (BLACK) |
| 5 | 3301360 | 1 | HEADLIGHT-STUD MOUNT |
| 6 | 3322601 | 1 | FUSE-15 AMP AUTOMOTIVE PUSH IN |
| 9 | 3334829 | 1 | DECAL-SIDE BROOM SPOT LIGHT |
| *** | 3342705 | 1 | SWITCH-BASE, DPST CONTURA ROCKER (NOT SHOWN) |

OPT - LIGHT, AMBER, LED, OVERHEAD GUARD (690444)



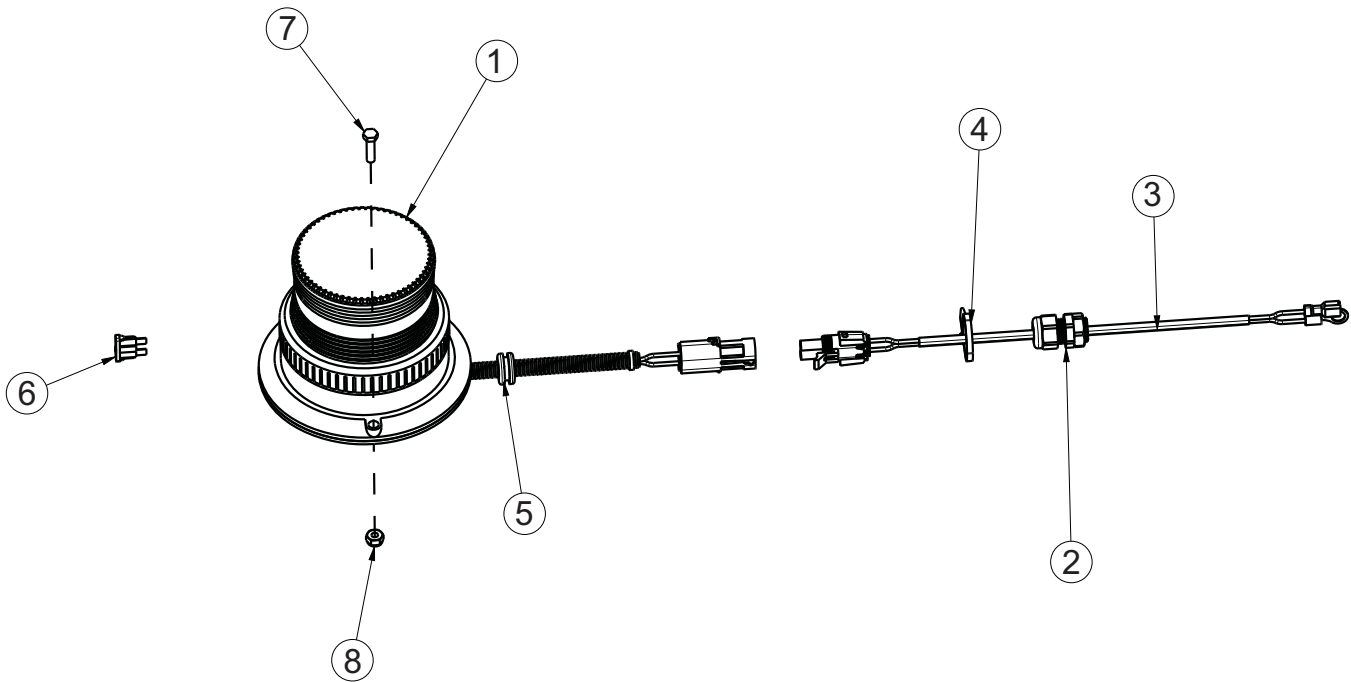
| OPT - LIGHT, AMBER, LED, OVERHEAD GUARD (690444) | | | |
|---|-----------------|--------------|--|
| ITEM | PART NO. | REQ'D | DESCRIPTION |
| 1 | 620073-1 | 1 | LIGHT ASSY, LED BEACON |
| 2 | 747689 | 1 | STRAIN RELIEF CABLE DIA. .181-.312 #3210 |
| 3 | 748478 | 1 | HARNESS ASSY, SAFETY LIGHT |
| 4 | 828062-B | 1 | CABLE TIE-LARGE (BLACK) |
| 5 | 3301665 | 1 | GROMMET-RUBBER, 1/8" PANEL THK, 3/8" ID |
| 6 | 3322601 | 1 | FUSE-15 AMP AUTOMOTIVE PUSH IN |
| 7 | 3400044 | 2 | SCR-HH 10-32 X .75 ZP SERR FLANGE |
| 8 | 3400172 | 2 | NUT-JAM 10-32 ZP NYLOC |

OPT - LIGHT, AMBER, LED, ENGINE COVER (690444-1)



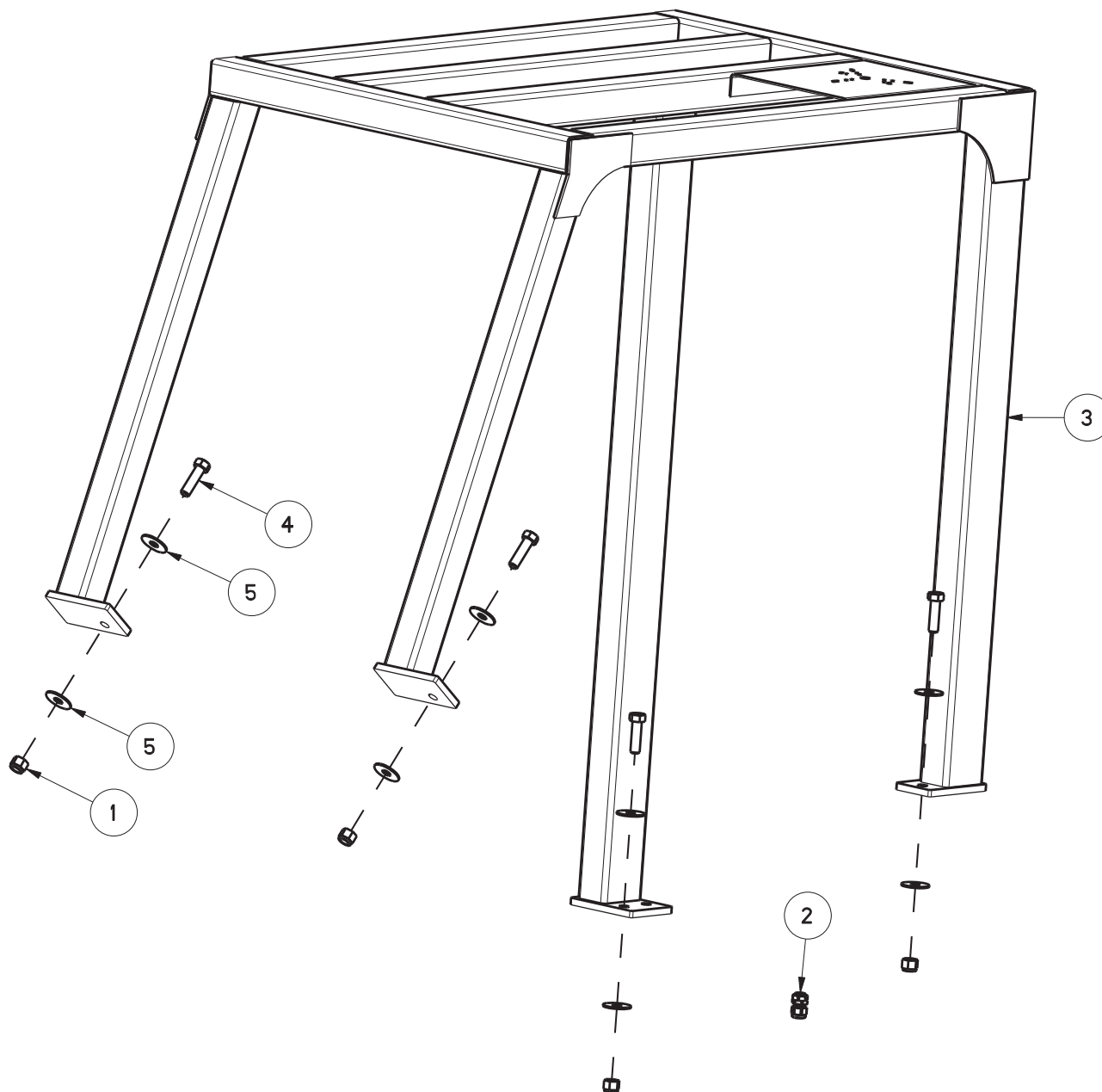
| OPT - LIGHT, AMBER, LED, ENGINE COVER (690444-1) | | | |
|---|-----------------|--------------|--|
| ITEM | PART NO. | REQ'D | DESCRIPTION |
| 1 | 620073-1 | 1 | LIGHT ASSY, LED BEACON |
| 2 | 747689 | 1 | STRAIN RELIEF CABLE DIA. .181-.312 #3210 |
| 3 | 748477 | 1 | HARNESS ASSY, SAFETY LIGHT |
| 4 | 828062-B | 1 | CABLE TIE-LARGE (BLACK) |
| 5 | 3301665 | 1 | GROMMET-RUBBER, 1/8" PANEL THK, 3/8" ID |
| 6 | 3322601 | 1 | FUSE-15 AMP AUTOMOTIVE PUSH IN |
| 7 | 3400044 | 2 | SCR-HH 10-32 X .75 ZP SERR FLANGE |
| 8 | 3400172 | 2 | NUT-JAM 10-32 ZP NYLOC |

OPT - LIGHT, AMBER, LED, CAB (690444-3)



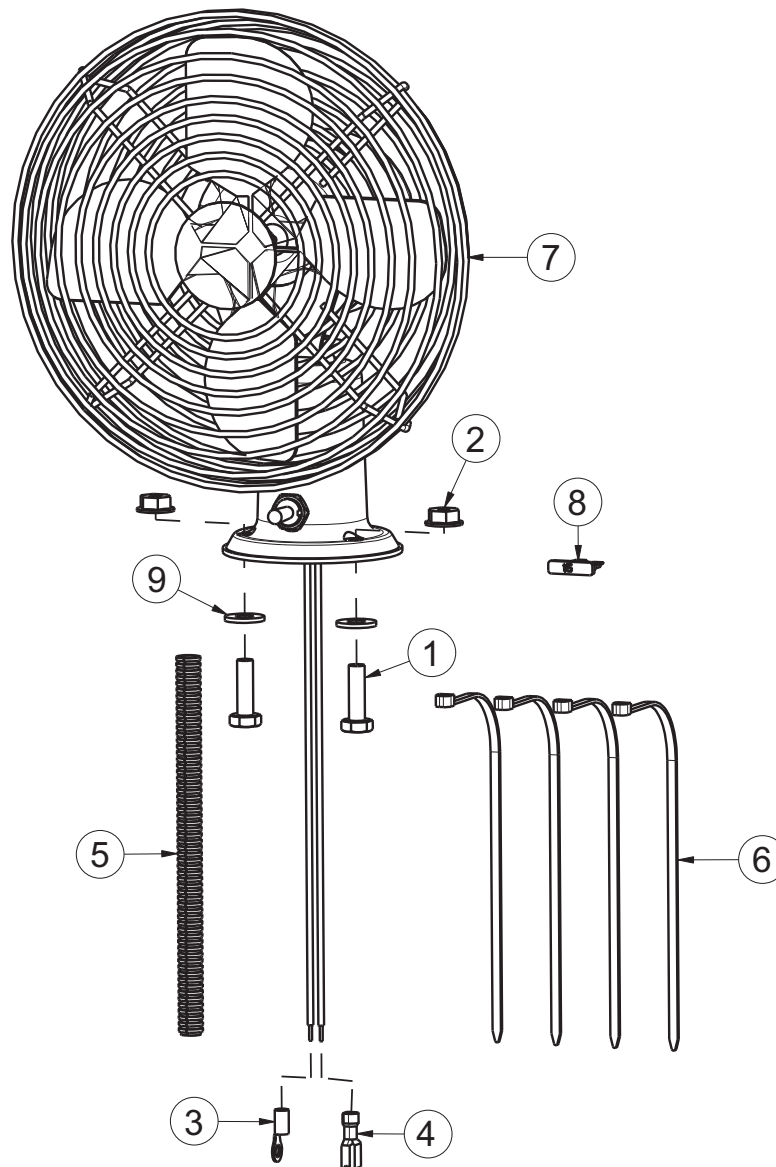
| OPT - LIGHT, AMBER, LED, CAB (690444-3) | | | |
|---|----------|-------|--|
| ITEM | PART NO. | REQ'D | DESCRIPTION |
| 1 | 620073-1 | 1 | LIGHT ASSY, LED BEACON |
| 2 | 747689 | 1 | STRAIN RELIEF CABLE DIA. .181-.312 #3210 |
| 3 | 748478 | 1 | HARNESS ASSY, SAFETY LIGHT |
| 4 | 828062-B | 1 | CABLE TIE-LARGE (BLACK) |
| 5 | 3301665 | 1 | GROMMET-RUBBER, 1/8" PANEL THK, 3/8" ID |
| 6 | 3322601 | 1 | FUSE-15 AMP AUTOMOTIVE PUSH IN |
| 7 | 3400044 | 2 | SCR-HH 10-32 X .75 ZP SERR FLANGE |
| 8 | 3400172 | 2 | NUT-JAM 10-32 ZP NYLOC |

OPT - OVERHEAD GUARD (3317260)



| OPT - OVERHEAD GUARD (3317260) | | | |
|---------------------------------------|-----------------|--------------|--|
| ITEM | PART NO. | REQ'D | DESCRIPTION |
| 1 | 711376 | 4 | NUT-NYLOC 1/2-13 ZP |
| 2 | 747689 | 1 | STRAIN RELIEF CABLE DIA. .181-.312 #3210 |
| 3 | 3315855 | 1 | OHG- ARMA |
| 4 | 3400021 | 4 | SCR-HH 1/2-13 X 1.75 ZP GR 5 FULL THRD |
| 5 | 3400091 | 8 | WASHER-FENDER 1/2 X 2.00 ZP |

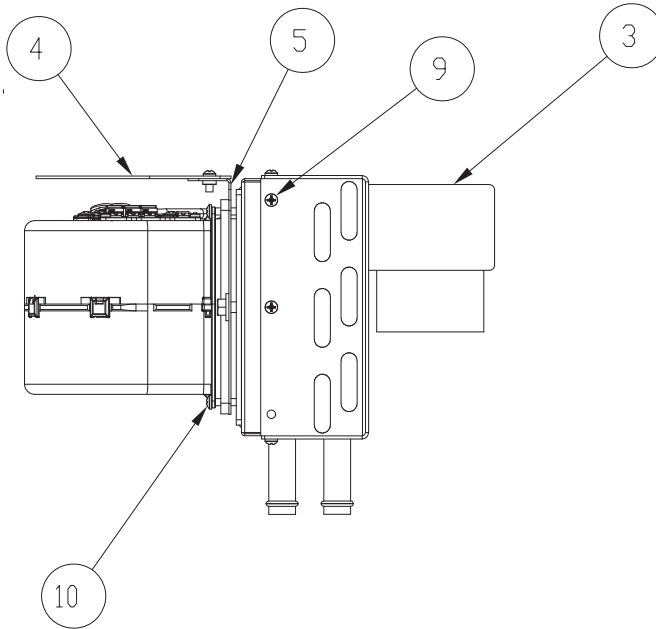
OPT - FAN/DEFROSTER (3317266)



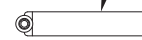
| OPT - FAN/DEFROSTER (3317266) | | | |
|-------------------------------|----------|-------|---|
| ITEM | PART NO. | REQ'D | DESCRIPTION |
| 1 | 711206 | 2 | SCR-HH 1/4-20 X .87 ZP GR 5 |
| 2 | 711425 | 2 | NUT-FLANGED WIZZ 1/4-20 ZP |
| 3 | 740010 | 1 | RING TERMINAL-14-16G #10 FULL INSULATED |
| 4 | 740014 | 1 | QC-FEMALE 14-16G .250 FULL INSULATED |
| 5 | 741231 | 1 | CONDUIT- SPLIT 1/4 ID |
| 6 | 828062-B | 4 | CABLE TIE-LARGE (BLACK) |
| 7 | 3302496 | 1 | OPT-FAN,CAB |
| 8 | 3322601 | 1 | FUSE-15 AMP AUTOMOTIVE PUSH IN |
| 9 | 3400829 | 2 | WASHER-FLAT 1/4 ZP |

OPT - HEATER (690087)

INSTALL EDGING
(P/N: 3500118)
ON CURVED EDGE.

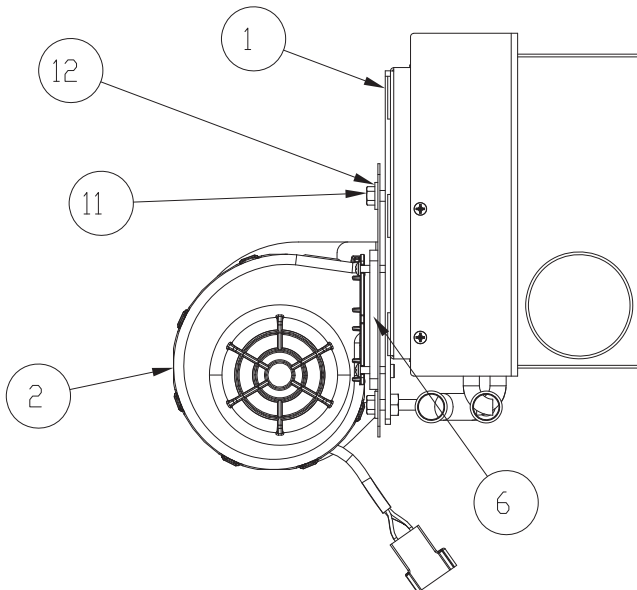
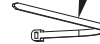


6X 14 USE TO INSTALL HE
Y-ADAPTERS, AND P



13

USE TO SECURE HEATER
HOSE DURING ROUTING

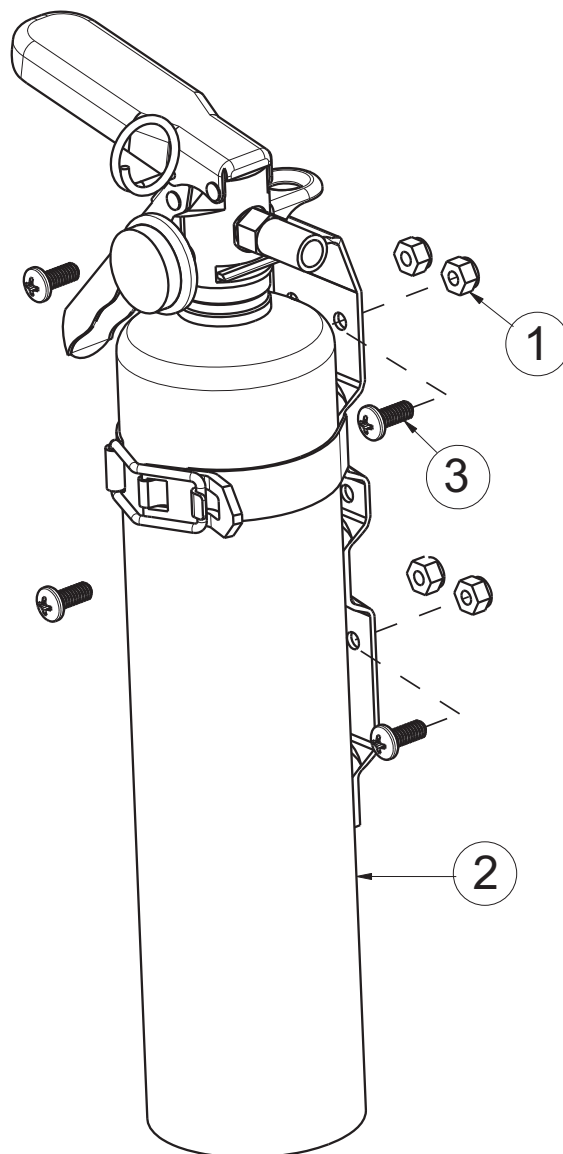


7 FOR USE WITH MICHIGAN
SEAT OPTION ONLY



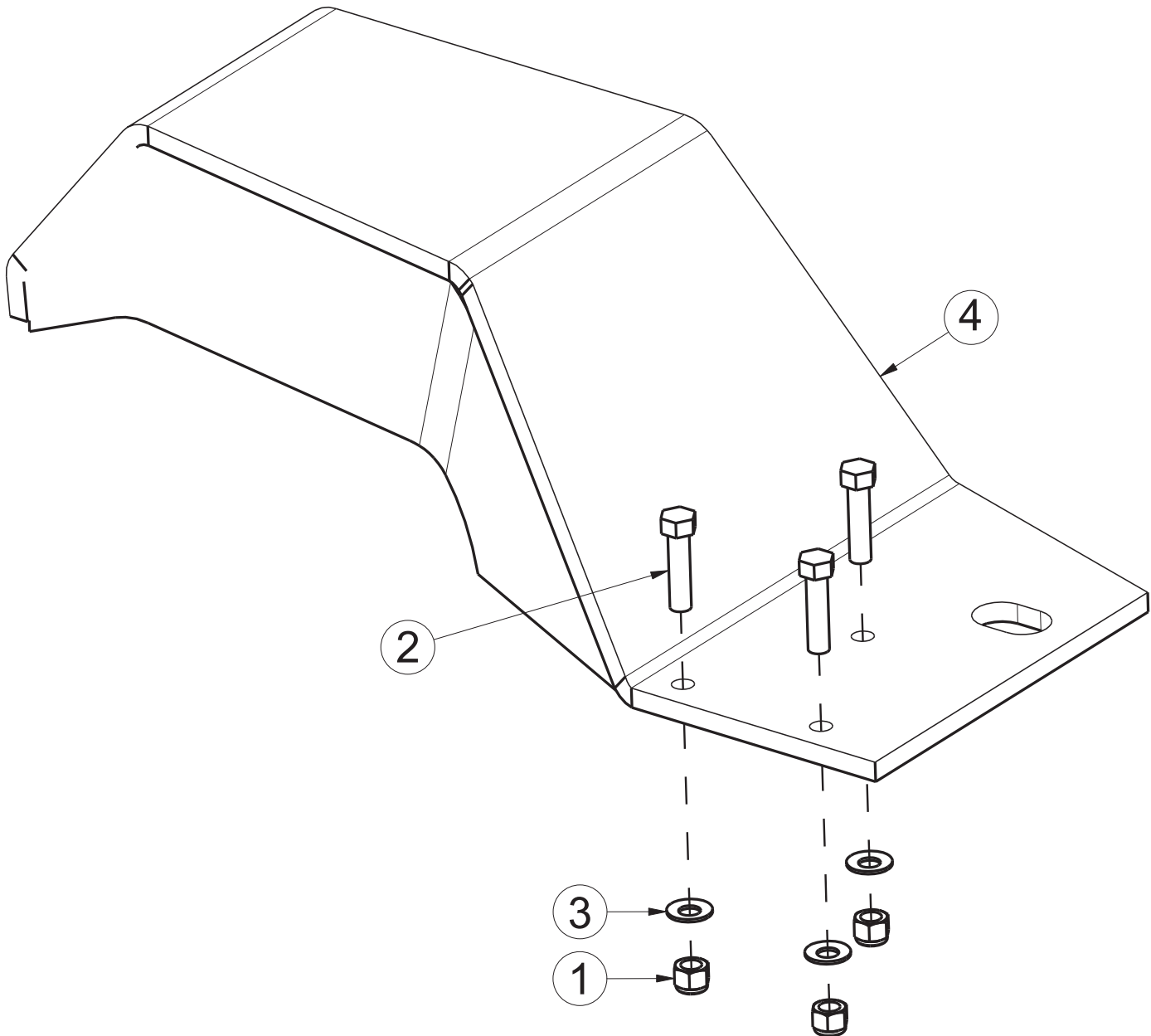
| OPT - HEATER (690087) | | | |
|-----------------------|----------|-------|--|
| ITEM | PART NO. | REQ'D | DESCRIPTION |
| 1 | 690080 | 1 | W/D, ASSY, MTG, HEATER, 9X/10X |
| 2 | 690086 | 1 | HEATER, BTU 16000, 12V, 9X/10X OPTION |
| 3 | 690096 | 1 | W/D, ASSY, PLENUM BOX, HEATER 9X/10X |
| 4 | 690097 | 1 | SHROUD, TOP, HEATER MOTOR |
| 5 | 690098 | 1 | ASSY, MTG, HEATER MOTOR 9X/10X |
| 6 | 690099 | 1 | GASKET, HEATER BLOWER MOTOR |
| 7 | 690429 | 1 | BRACKET, MICHIGAN SEAT STOP |
| 9 | 710328 | 10 | SCR-MC RD HD 8-32X.37 STL |
| 10 | 710331 | 4 | SCR-MC 8-32 X .75 ZINC |
| 11 | 711207 | 2 | BLT-HH 1/4-20 X 1.00 STPL |
| 12 | 711505 | 2 | WASHER-FLAT 1/4 ZP |
| 13 | 828062 | 6 | CABLE TIE LARGE |
| 14 | 3300336 | 6 | CLAMP-HOSE 2.5 SS |
| *** | 748717 | 1 | HARNESS ASSY, HEATER POWER |
| *** | 748718 | 1 | HARNESS ASSY, HEATER CONTROL |
| *** | 3322601 | 1 | FUSE-15 AMP AUTOMOTIVE PUSH IN |
| *** | 690039 | 1 | FTG-TEE 1-1/4 HBX 1-1/4 HB X 3/4 HB BRAS |
| *** | 3334443 | 1 | TRUCK VALVE-.625 HOSEX.375 PIPE THD |
| *** | 3303304 | 1 | FTG-NIPPLE 3/8 BRASS |
| *** | 3500118 | 1 | EDGING-VINYL TRIM 1/8" X 250' |
| *** | 3303072 | 1 | SWITCH-3 SPEED |
| *** | 3303073 | 1 | KNOB-ROTARY SWITCH 3-SPEED |
| *** | 3400820 | 1 | CONN-WATER LINE 5/8ID X 3/8THD |
| *** | 620653 | 32 FT | HOSE, COOLANT, 5/8 IN ID, RAW |
| *** | 3303303 | 1 | FTG-TEE 3/8 FPT |
| *** | 3310096 | 2 | DECAL-CAB SWITCH BOX ARMA |
| *** | 3302193 | 2 | CLAMP-HOSE 1.25 NOM |
| *** | 3302144 | 4 | CLAMP-HOSE 1/2 NOM |
| *** | 711210 | 1 | SCR-HH 1/4-20 X 1.25 ZP GR 5 FULL THRD |

OPT - FIRE EXTINGUISHER (3317268)



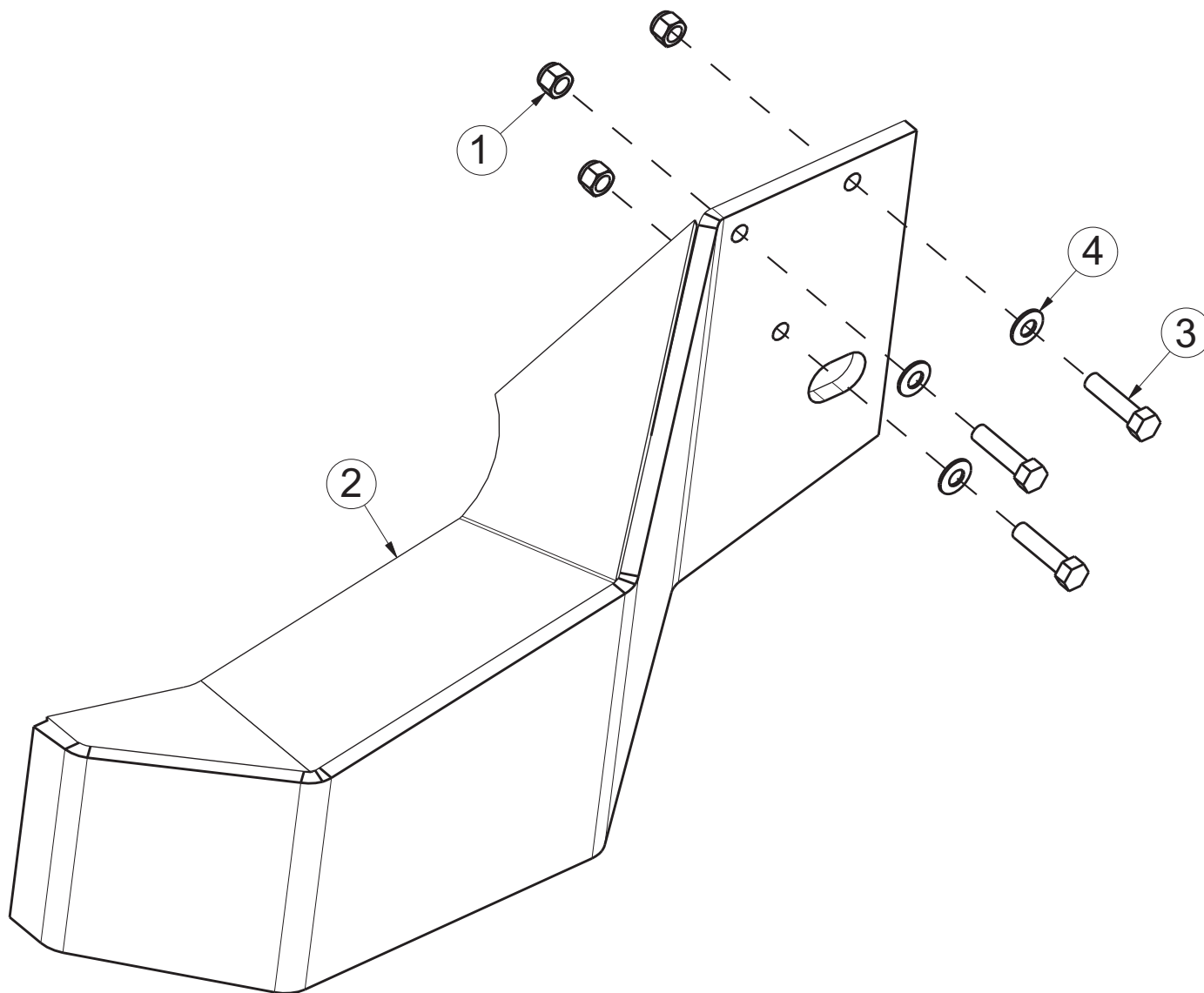
| OPT-FIRE EXTINGUISHER (3317268) | | | |
|--|-----------------|--------------|------------------------------|
| ITEM | PART NO. | REQ'D | DESCRIPTION |
| 1 | 711373 | 4 | NUT-NYLOC 1/4-20 ZP |
| 2 | 3302769 | 1 | EXTINGUISHER-FIRE REFILLABLE |
| 3 | 3400232 | 4 | SCR-PHMS 1/4-20 X 0.62 ZP |

OPT - HD CURB BROOM, RIGHT (3317302)



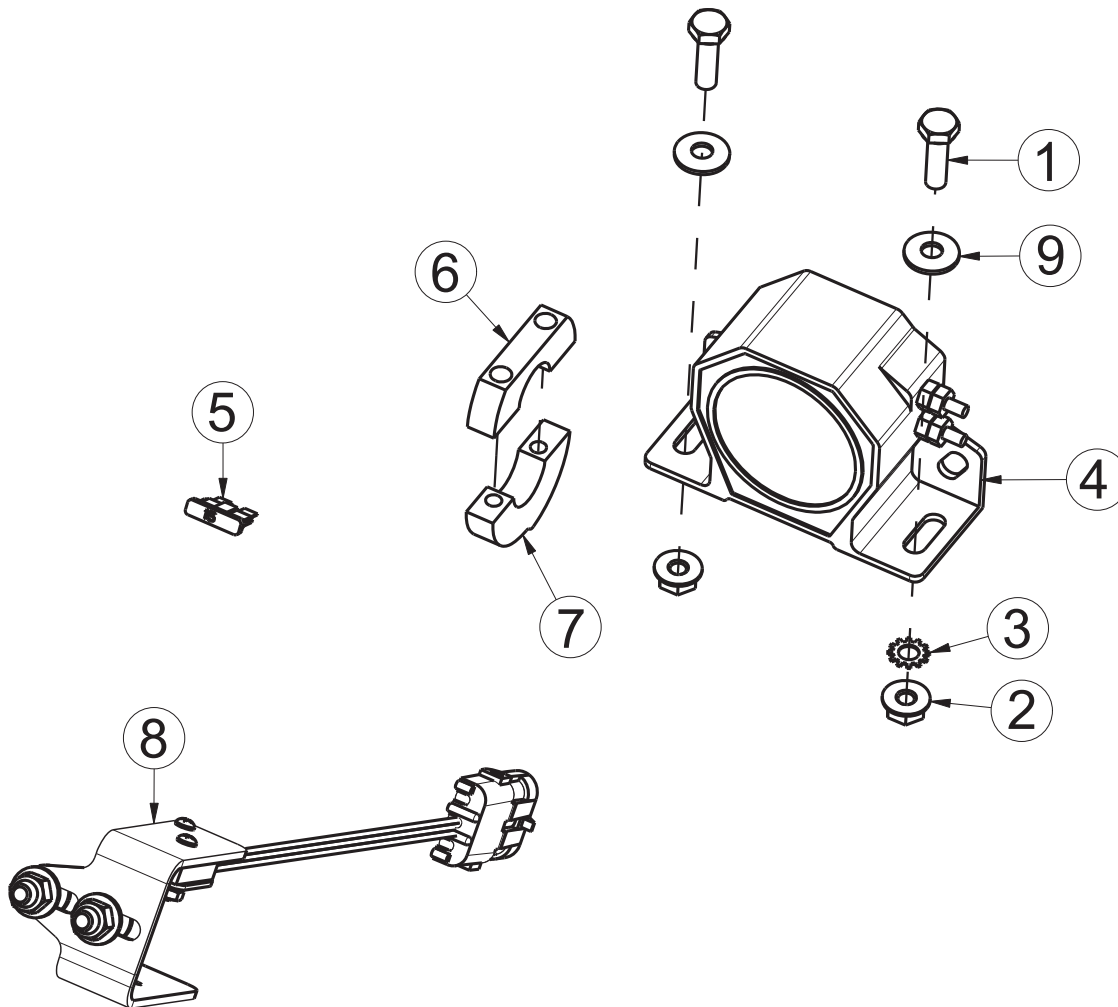
| OPT - HD CURB BROOM, RIGHT (3317302) | | | |
|--------------------------------------|----------|-------|-----------------------------------|
| ITEM | PART NO. | REQ'D | DESCRIPTION |
| 1 | 711380 | 3 | NUT-NYLOC 3/8-16 ZP |
| 2 | 3400028 | 3 | SCR-HH 3/8-16 X 1.50 ZP GR 5 |
| 3 | 3400385 | 3 | WASHER-CONICAL SPRING 3/8 |
| 4 | 3307726M | 1 | WELD-HD RH CURB BROOM GUARD, AM9D |

OPT - HD CURB BROOM, LEFT (3330752)



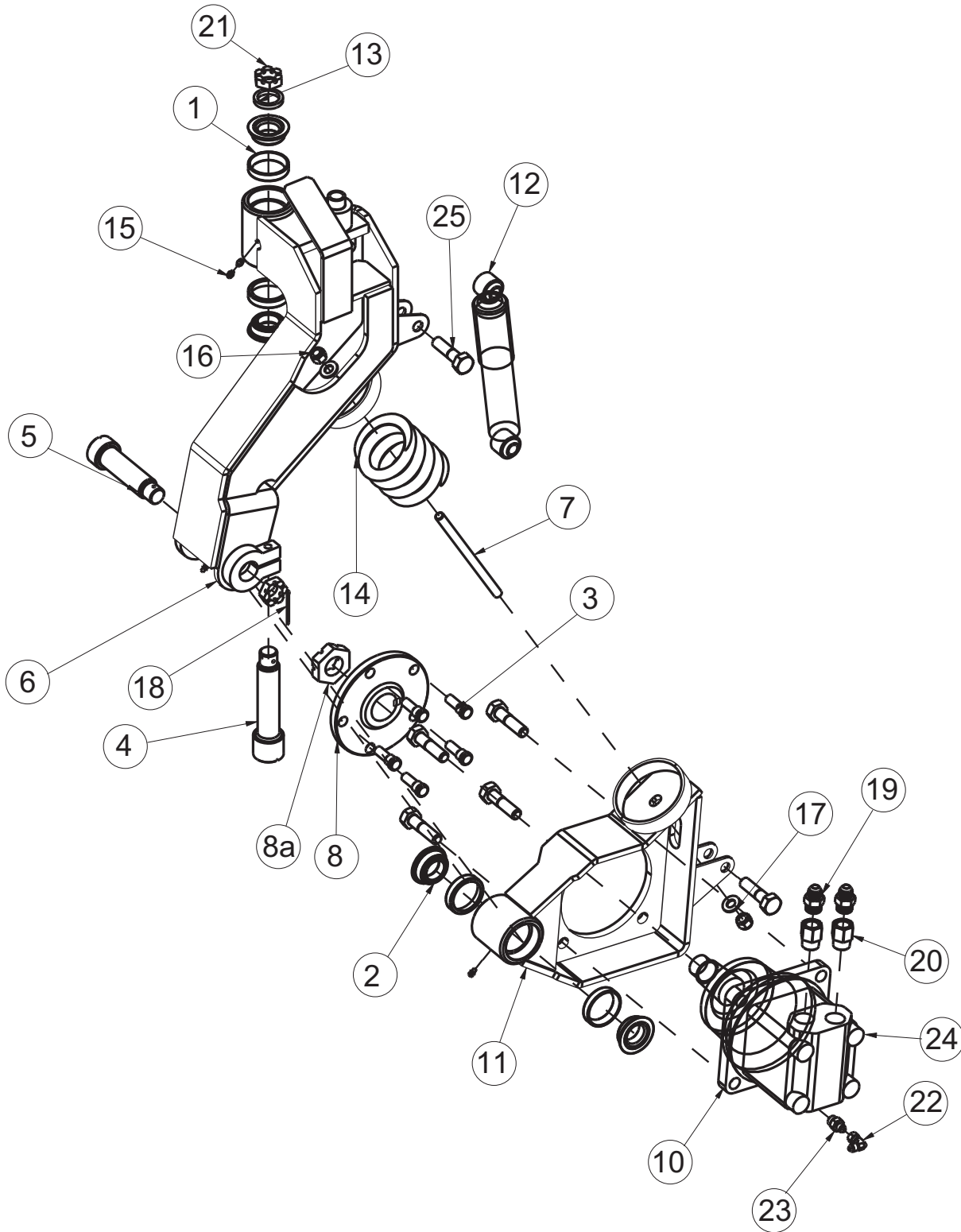
| OPT - HD CURB BROOM, LEFT (3330752) | | | |
|--|-----------------|--------------|------------------------------|
| ITEM | PART NO. | REQ'D | DESCRIPTION |
| 1 | 711380 | 3 | NUT-NYLOC 3/8-16 ZP |
| 2 | 3330755 | 1 | HD LH CURB BROOM GUARD SW/A |
| 3 | 3400028 | 3 | SCR-HH 3/8-16 X 1.50 ZP GR 5 |
| 4 | 3400385 | 3 | WASHER-CONICAL SPRING 3/8 |

OPT - BACKUP ALARM & NEUTRAL SAFETY SWITCH (3317306)



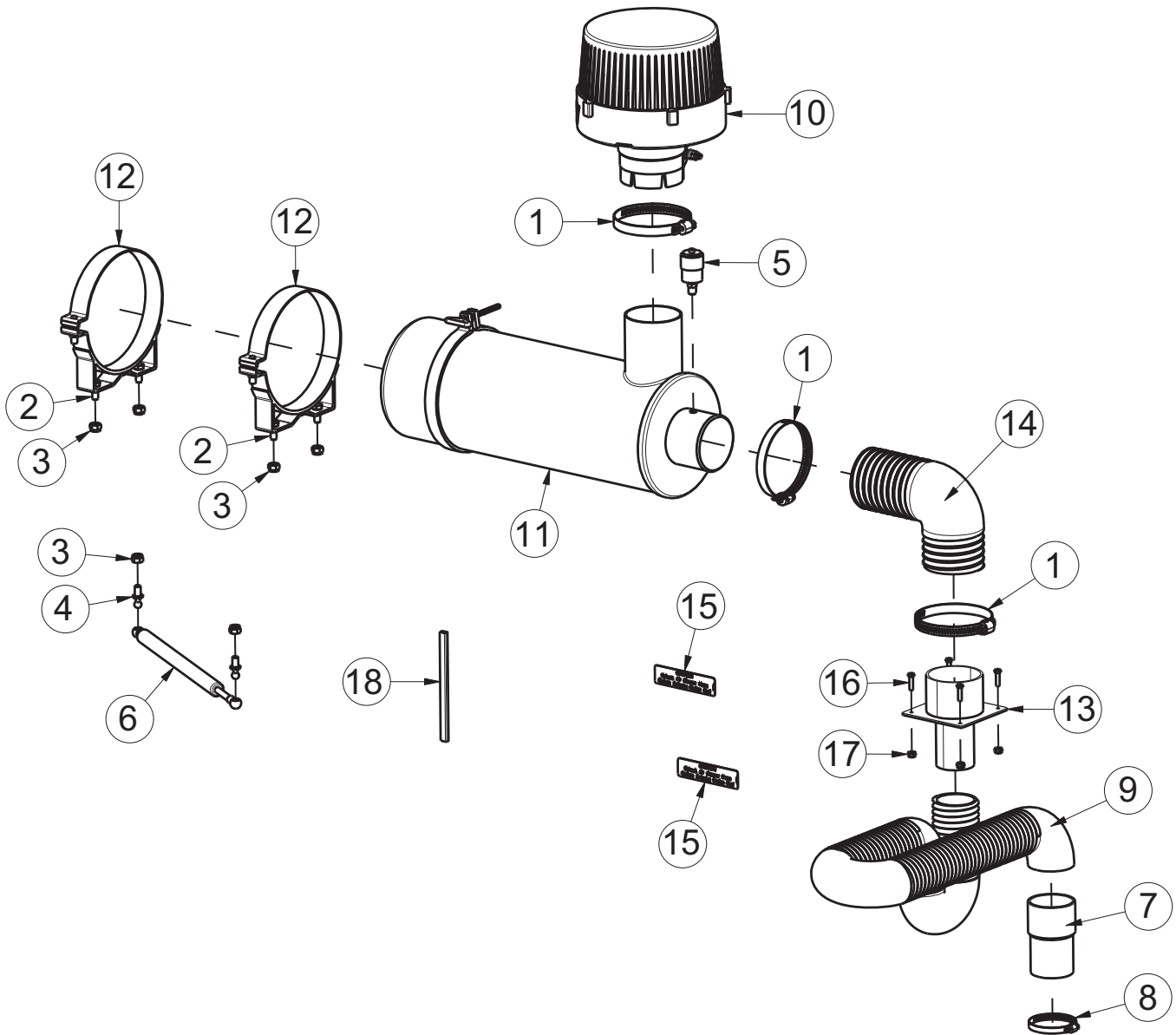
| OPT - BACKUP ALARM & NEUTRAL SAFETY SWITCH (3317306) | | | |
|---|-----------------|--------------|---------------------------------------|
| ITEM | PART NO. | REQ'D | DESCRIPTION |
| 1 | 713002 | 2 | SCR-HH 1/4-20 X .75 ZP 5 |
| 2 | 711425 | 2 | NUT-FLANGED WIZZ 1/4-20 ZP |
| 3 | 711564 | 1 | WASHER-EXT LOCK 1/4 ZP |
| 4 | 3303002 | 1 | HORN-BACK UP, 97 db(A), 12VDC |
| 5 | 3322601 | 1 | FUSE-15 AMP AUTOMOTIVE PUSH IN |
| 6 | 3335222 | 1 | CAM-SWITCH, LOWER THRTL POS |
| 7 | 3335223 | 1 | CAM-SWITCH, UPPER, BACKUP |
| 8 | 3337850 | 1 | ASSY - BACKUP ALARM SWITCH, ARMADILLO |
| 9 | 3400383 | 2 | WASHER-CONICAL SPRING 1/4 |
| 10 | 749068 | 1 | HARNES ASSY, BACKUP ALARM |

OPT - POWERFLEX (3322125)



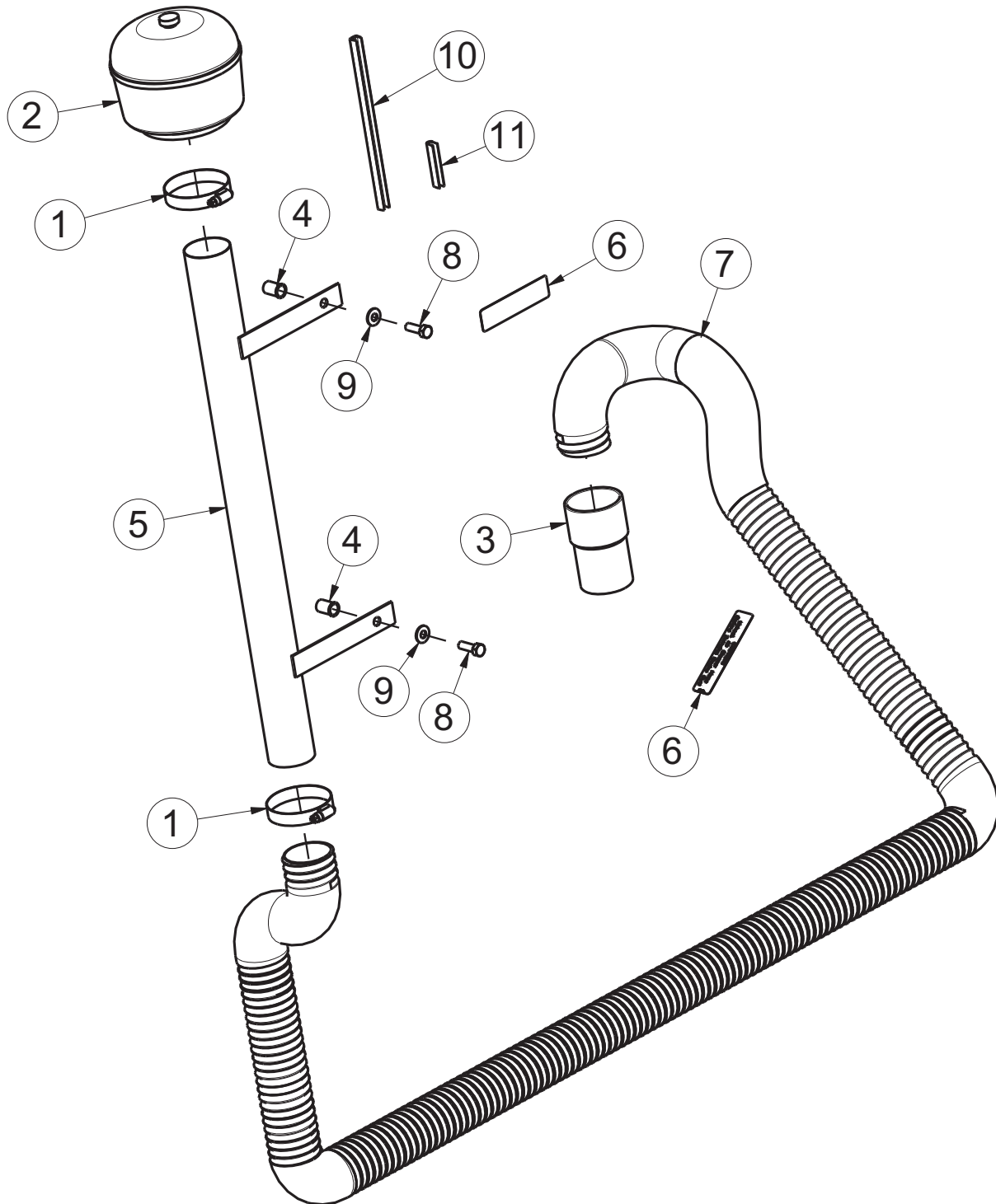
| OPT - POWERFLEX (3322125) | | | |
|----------------------------------|-----------------|--------------|--|
| ITEM | PART NO. | REQ'D | DESCRIPTION |
| 1 | 3300470 | 4 | BEARING- TAPERED ROL CUP |
| 2 | 3300471 | 4 | BEARING- TAPERED ROLCONE W/SEAL |
| 3 | 3307348 | 5 | STUD - WHEEL, 1/2- 20X 1. 63 CREAR SW/A) |
| 4 | 3307349P | 1 | PIN - REAR FORK SW/A |
| 5 | 3309790 | 1 | PIN-KNEE POWERHEX FABRCATED |
| 6 | 3316888 | 1 | WELDMENT - STEERING FORK |
| 7 | 3319410 | 1 | ROD-TENSION POWER FLEX |
| 8 | 3321150 | 1 | HUB-RE AR ARMA OMTW SERIES |
| 8a | | 1 | NUT-MOTOR-DRIVE ARMA OMTW SERIES |
| 10 | 3321151 | 1 | MOTOR -DR IVE ARMA OMTW SERIES |
| 11 | 3321170 | 1 | MNT-MOTOR P-FLEX SW9X/10X |
| 12 | 3321176 | 1 | SHOCK ABSORBER-POWER HEX |
| 13 | 3337860 | 1 | SPACER. STEER ING.FORK |
| 14 | 3350209 | 1 | SPRING-POWER FLEX ARMA |
| 15 | 3400012 | 4 | FTG-GREASE 3/16 DR IVE |
| 16 | 711376 | 2 | NUT-HEX 1/2- 13 ES ZP |
| 17 | 3400086 | 2 | WASHER-FLAT 112 STANDARD ZP |
| 18 | 3400122 | 1 | COTTER P IN 1/8 X 2 |
| 19 | 675524 | 2 | FTG-ORFS STR THD -8 -8 SAE |
| 20 | 3400167 | 2 | FTG-ADAPTER 1 1/6-12 EXT TO |
| 21 | 3400223 | 2 | NUT-SLOTTED, 1 - 20 UNEF |
| 22 | 675739 | 1 | FTG-ORFS 90 ELBOW SWIVEL NUT -4 -4 SAE |
| 23 | 675511 | 1 | FTG-ORFS STR THD -4 -6 SAE |
| 24 | 3400485 | 4 | SCR - HHM 5/8 - 11 X 2.5 ZP |
| 25 | 713601 | 2 | SCR-HH 5/8-11 X 2.75 ZP YEL GR 8 |

OPT - AIR CLEANER, HEAVY DUTY (3331034)



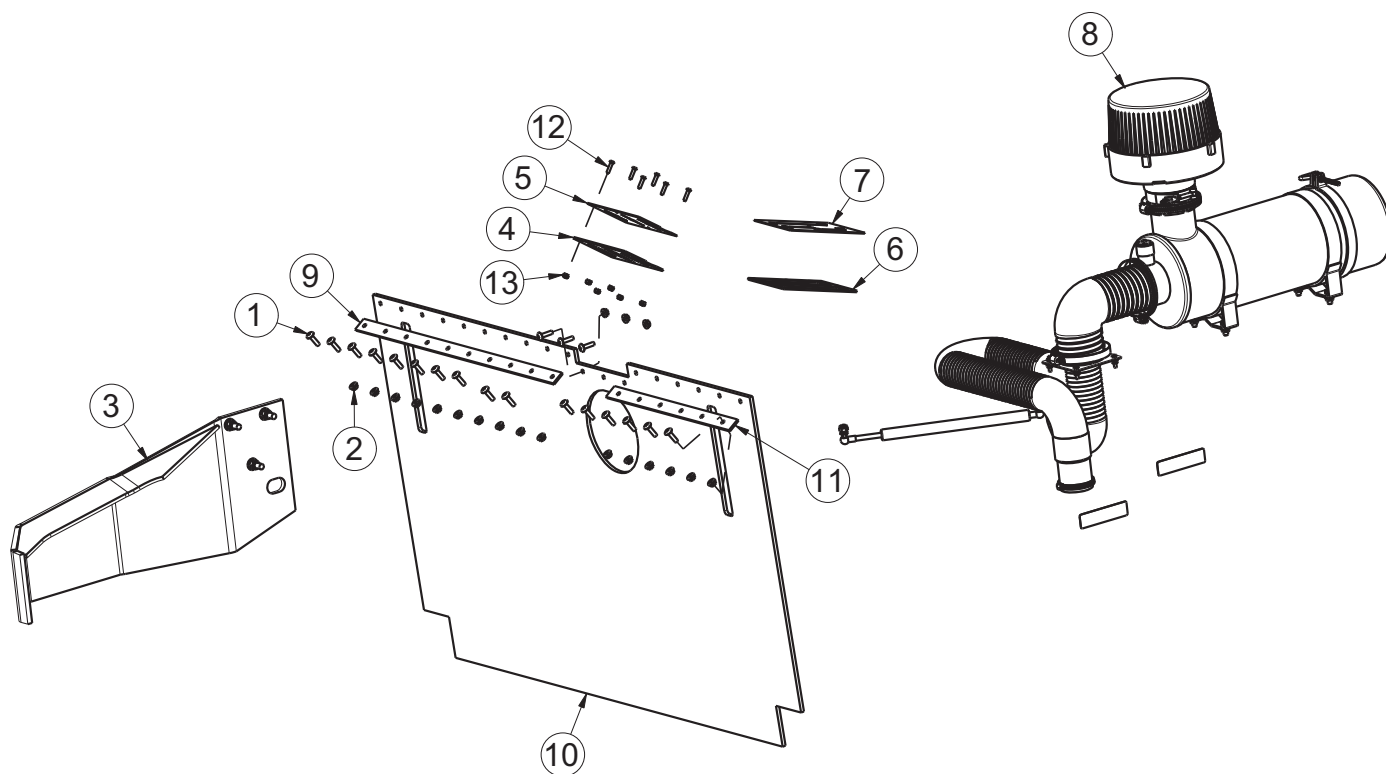
| OPT - AIR CLEANER, HEAVY DUTY (3331034) | | | |
|--|-----------------|--------------|--|
| ITEM | PART NO. | REQ'D | DESCRIPTION |
| 1 | 620176 | 3 | CLAMP, HOSE, WORM TYPE, 4" |
| 2 | 711228 | 4 | SCR-HH 5/16-18 X .75 ZP GR 5 |
| 3 | 711374 | 6 | NUT-NYLOC 5/16-18 ZP |
| 4 | 3300376 | 2 | STUD-BALL GAS SPR 5/16-18 THRD .391DIA. |
| 5 | 3303991 | 1 | INDICATOR-AIR CLEANER RESTRICTION |
| 6 | 3308767L | 1 | SPRING-GAS 8" STROKE, 19.7" EXT (100LBF) |
| 7 | 3311797 | 1 | CUFF-HOSE 2" X 2" |
| 8 | 3312189 | 1 | CLAMP-HOSE 2" NOMINAL SS WORM |
| 9 | 3317909 | 1 | HOSE-2" DIAx36" LONG |
| 10 | 3331035 | 1 | AIR CLEANER-TURBO 3 MODEL HEAVY DUTY |
| 11 | 3331036 | 1 | AIR CLEANER-HEAVY DUTY(METAL) |
| 12 | 3331037 | 2 | CLAMP-HD AIR CLEANER |
| 13 | 3332508 | 1 | AIR HOSE CONNECTOR 2" DIA |
| 14 | 3332509 | 1 | HOSE-3" IDx18" LG, HD AIR CLEANER |
| 15 | 3333769 | 2 | DECAL-UNHOOK AIR CLEANER HOSE B4 ENG SWV |
| 16 | 3400044 | 4 | SCR-HH 10-32 X .75 ZP SERR FLANGE |
| 17 | 3400172 | 4 | NUT-JAM 10-32 ZP NYLOC |
| 18 | 3500118 | 1 | EDGING-VINYL TRIM 1/8" X 250' |

OPT - AIR CLEANER, EXTERNAL AUX OVERHEAD GUARD (3331338)



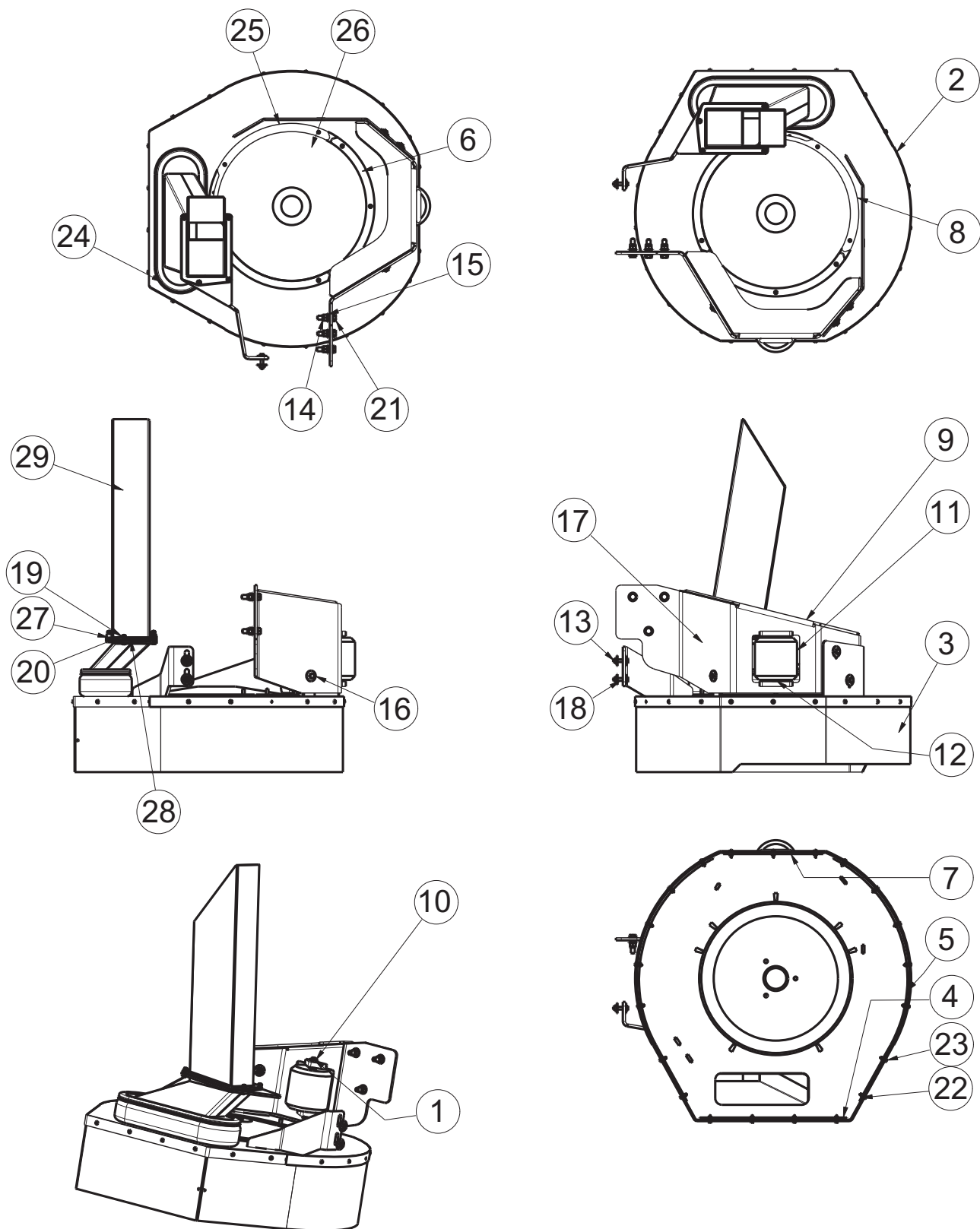
| OPT - AIR CLEANER, EXTERNAL AUX OVERHEAD GUARD (3331338) | | | |
|---|-----------------|--------------|--|
| ITEM | PART NO. | REQ'D | DESCRIPTION |
| 1 | 3300336 | 2 | CLAMP-HOSE 3" MAX SS |
| 2 | 3303887 | 1 | PRE-CLEANER-DONALDSON AIR CLNR |
| 3 | 3311797 | 1 | CUFF-HOSE 2" X 2" |
| 4 | 3322187 | 2 | INSERT-5/16-18 UNC, GRIP RANGE .150-.312 |
| 5 | 3331337 | 1 | MNT EXTRNL AUX SW/A OHG |
| 6 | 3333769 | 2 | DECAL-UNHOOK AIR CLEANER HOSE B4 ENG SWV |
| 7 | 3342991 | 1 | HOSE-INTK EXT AUX SW/A OHG/90" LGTH |
| 8 | 3400035 | 2 | SCR-HH 5/16-18 X 1.00 ZP GR 5 |
| 9 | 3400384 | 2 | WASHER-CONICAL SPRING 5/16 |
| 10 | 3500116 | 1 | EDGING-VINYL 5/16 |
| 11 | 3500117 | 1 | EDGING-VINYL TRIM 3/16" X 250' |

OPT - EXTREME ENVIRONMENT DUST COVER (3334437)



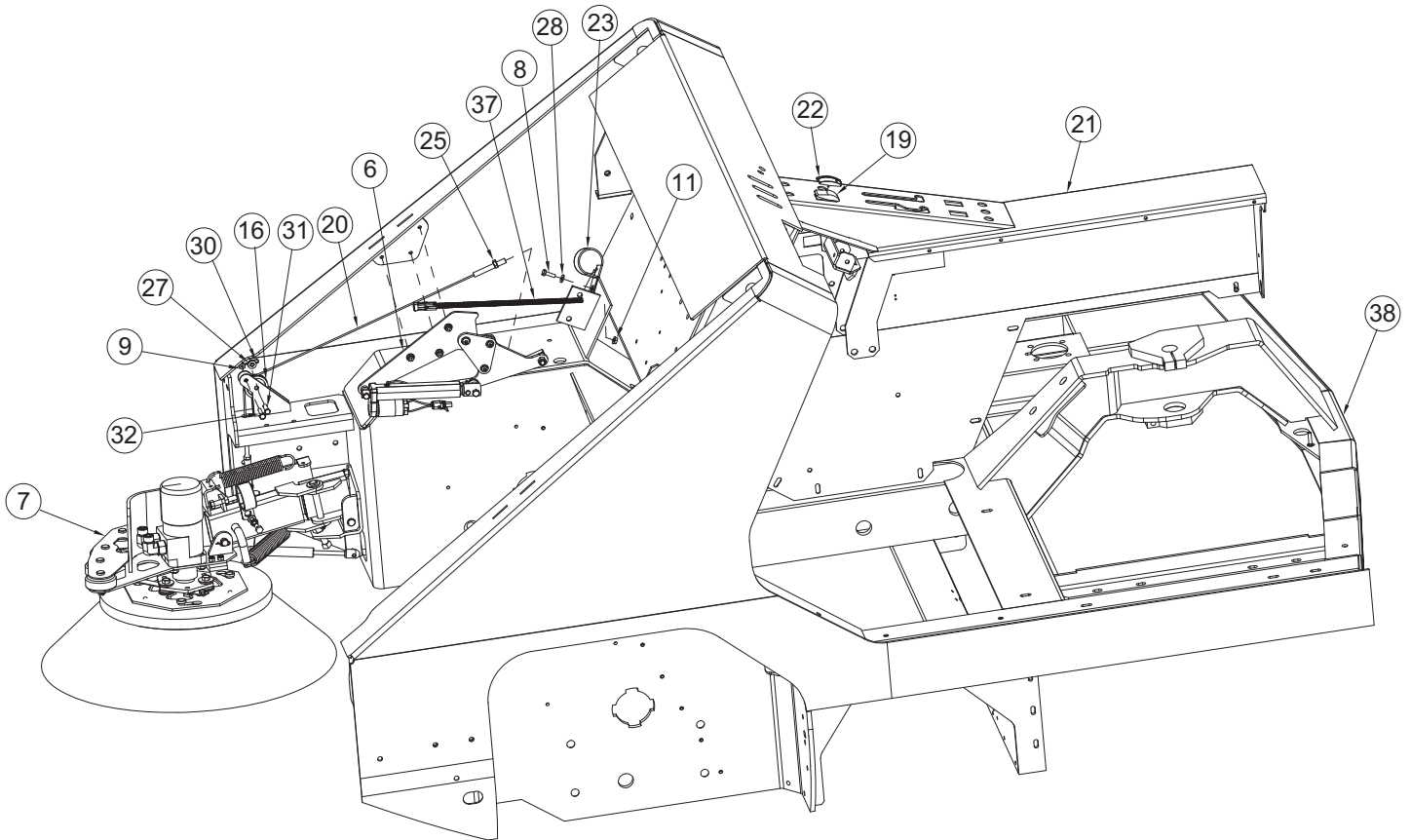
| OPT - EXTREME ENVIRONMENT DUST COVER (3334437) | | | |
|---|-----------------|--------------|-----------------------------------|
| ITEM | PART NO. | REQ'D | DESCRIPTION |
| 1 | 710182 | 19 | SCR-THMS 1/4-20 X 1.00 ZP |
| 2 | 711425 | 19 | NUT-FLANGED WIZZ 1/4-20 ZP |
| 3 | 3317302 | 1 | OPT-HD CURB BROOM,RIGHT |
| 4 | 3322615 | 1 | PLT-SOUND SEAL RET CONT VALVE |
| 5 | 3322616 | 1 | SOUND SEAL-ARMA CONTROL VALVE |
| 6 | 3322682 | 1 | PLATE-SND SEAL RET BRM LIFT LVRS |
| 7 | 3322683 | 1 | SEAL-SOUND ARMA BRM LIFT LEVER |
| 8 | 3331034 | 1 | OPT-AIR CLEANER,HEAVY DUTY |
| 9 | 3334432 | 1 | BAR-SUPPORT LONG LINTEL COVER |
| 10 | 3334434 | 1 | EXTREME ENVIRONMENT DUST COVER |
| 11 | 3337843 | 1 | BAR-MID SUPPORT LINTEL COVER 9X |
| 12 | 3400044 | 6 | SCR-HH 10-32 X .75 ZP SERR FLANGE |
| 13 | 3400172 | 6 | NUT-JAM 10-32 ZP NYLOC |

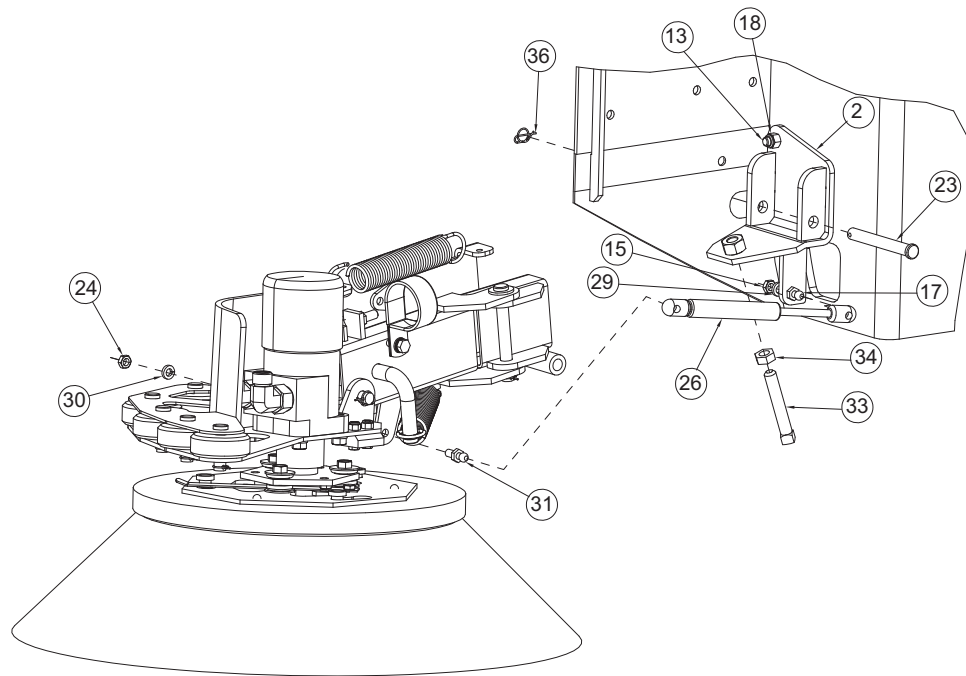
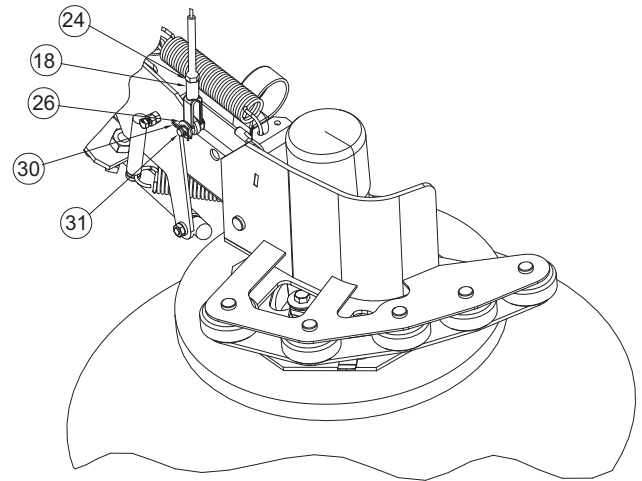
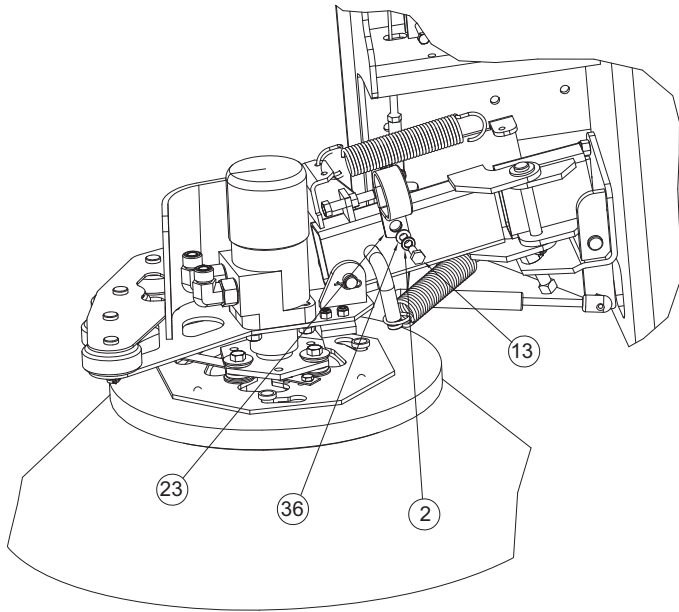
OPT - VACUUMIZED SIDE BROOM (3338470)



| OPT - VACUUMIZED SIDE BROOM (3338470) | | | |
|--|-----------------|--------------|--|
| ITEM | PART NO. | REQ'D | DESCRIPTION |
| 1 | 711713 | 2 | RET RING-E EXT .50 |
| 2 | 3338461 | 1 | WDT - VACUUM CB BASE 26" |
| 3 | 3338464 | 1 | RUBBER SKIRT 26" |
| 4 | 3338465 | 1 | END BRACKET |
| 5 | 3338466 | 2 | SIDE BRACKET |
| 6 | 3338474 | 1 | METAL MOUNTING BRACKET RUBBER DISC |
| 7 | 3338486 | 1 | INNER MNTING BRACKET-OUTER 26" |
| 8 | 3338633 | 2 | METAL MNTING BRCKT RBBR DISC (INBRD SIDE |
| 9 | 3338663 | 1 | WDT - HD CB GUARD W/ MNT ROLLER |
| 10 | 3341052 | 1 | PIN-BUMPER GUARD |
| 11 | 3341053 | 1 | ROLL-BUMPER GUARD |
| 12 | 3341054 | 2 | SPACER-BUMPER GUARD |
| 13 | 711425 | 5 | NUT-FLANGED WIZZ 1/4-20 ZP |
| 14 | 711380 | 3 | NUT-NYLOC 3/8-16 ZP |
| 15 | 3400087 | 6 | WASHER-FLAT 3/8 ZP |
| 16 | 3400090 | 10 | WASHER-FENDER 1/4 X 1.00 ZP |
| 17 | 3400095 | 4 | WASHER-FLAT #10 ZP |
| 18 | 3400227 | 5 | SCR-HH 1/4-20 X 1.25 ZP GR 5 |
| 19 | 3400399 | 4 | NUT-NYLOC 10-24 SS |
| 20 | 717021 | 4 | SCR-HH M6-1.0 X 30 ZP CLASS 8.8 |
| 21 | 3400455 | 3 | SCR-HH 3/8-16 X 1.50 SS |
| 22 | 3401674 | 21 | NUT, CLIP-ON, 8-32, BLACK PHOSPHATE |
| 23 | 3401676 | 21 | SCREW, PPH THRD FORM 8-32 X 5/8 ZP |
| 24 | 25583220 | 1 | EDGE PROTECTION (ORDER IN METERS) |
| 25 | 90542952 | 1 | RUBBER DISC UPPER |
| 26 | 90545757 | 1 | RUBBER DISC LOWER |
| 27 | 90546136 | 1 | THREADED FLANGE |
| 28 | 90546144 | 1 | GASKET |
| 29 | 96119607 | 1 | SUCTION PIPE |

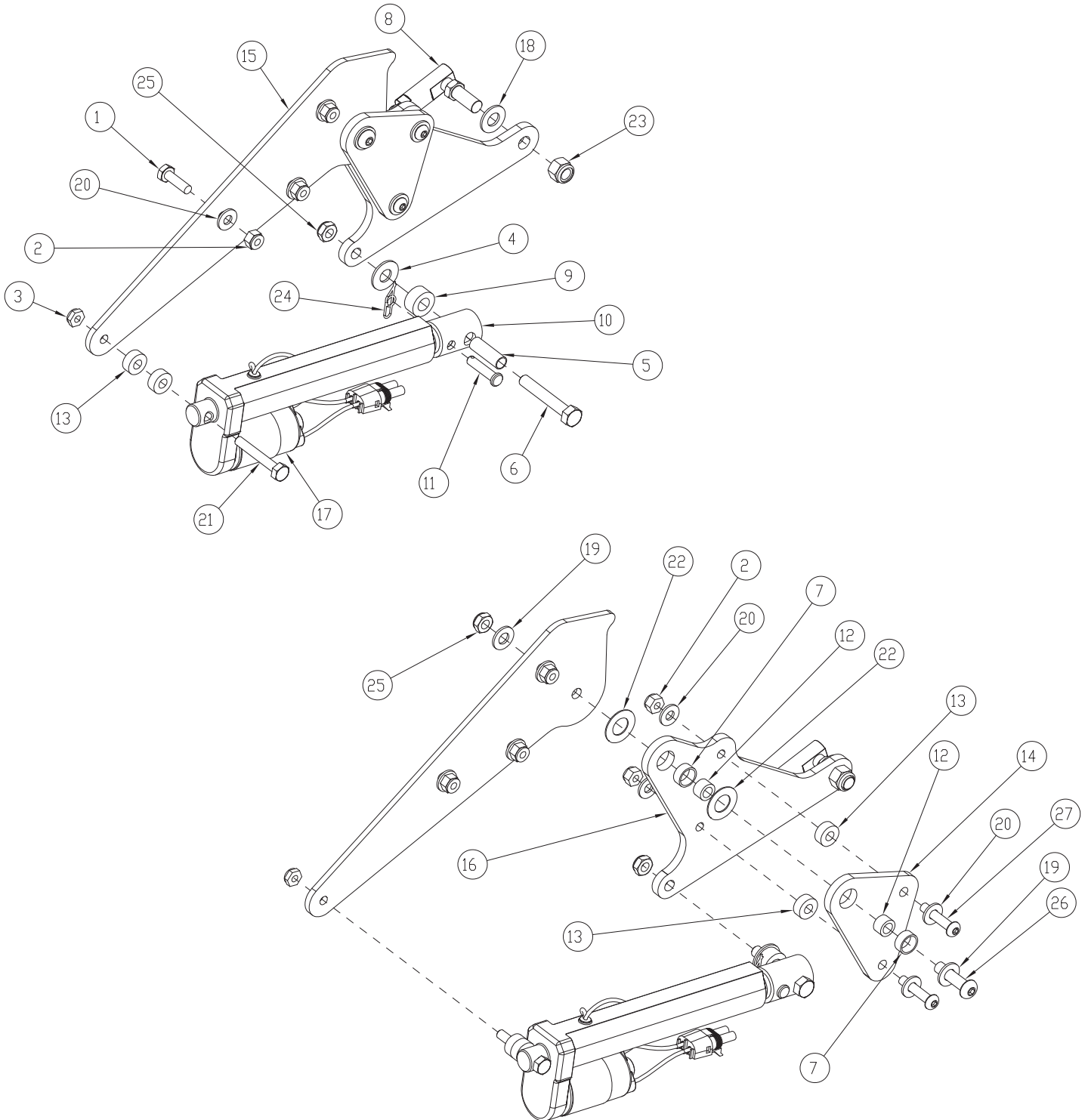
OPT - DUAL SIDE BROOM (690751)



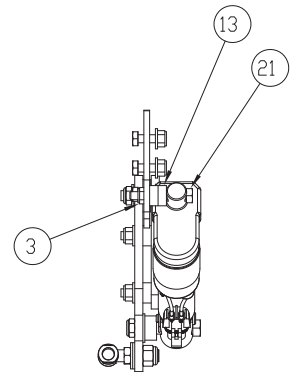
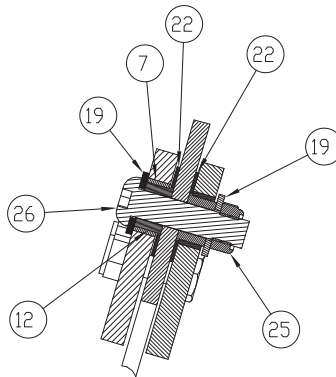
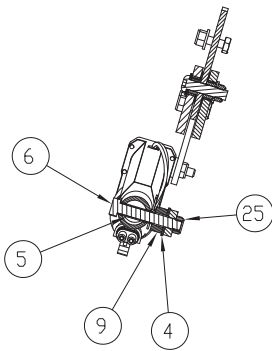
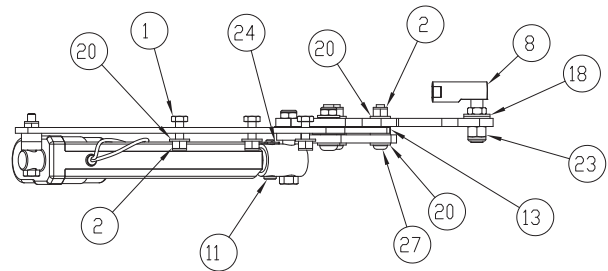
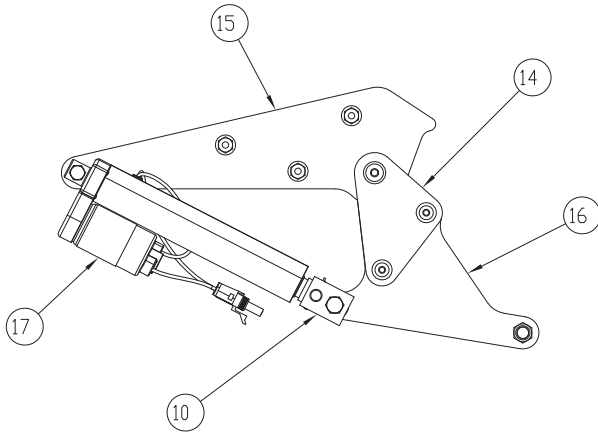


| OPT - DUAL SIDE BROOM (690751) | | | |
|---------------------------------------|-----------------|--------------|--|
| ITEM | PART NO. | REQ'D | DESCRIPTION |
| 1 | 600578 | 1 | PIN-COTTER 1/2 RUE RING |
| 2 | 600959 | 1 | LOCK WASHER, SPLIT, M8, ZINC |
| 3 | 675427 | 1 | HOSE-LH CB MTR IN TO RT CB OUT 170" |
| 4 | 675428 | 1 | HOSE-LH CB MTR OUT TO IMP TEE 100" |
| 5 | 690613 | 1 | WELDMENT, RH SB MNT |
| 6 | 690768 | 1 | ASSY- ACTUATOR RH 9X |
| 7 | 690769 | 1 | BROOM ASSEMBLY, DSB LH 9X RIGHT SIDE |
| 8 | 711206 | 1 | BLT-HH 1/4-20 X .87 STL ZINC |
| 9 | 711373 | 1 | NUT-NYLOC 1/4-20 |
| 10 | 711380 | 2 | NUT-NYLOC 3/8-16 NUT |
| 11 | 711425 | 1 | NUT - HEX 1/4-20, WHIZ NUT |
| 12 | 713043 | 2 | BLT-HH 3/8-16 X 1 1/4 #5 |
| 13 | 717024 | 1 | SCR-HH M8-1.25 X 20 ZP GRADE 8.8 |
| 14 | 730902 | 1 | GAS STRUT, 8.77 EXT X 3.00 STK, 200N |
| 15 | 730904 | 2 | NUT-JAM 5/16 - 18 SS |
| 16 | 3300368 | 1 | PULLEY-PLASTIC 2" x .25" GROOVE |
| 17 | 3300376 | 2 | STUD-BALL GAS SPR 5/16-18 THRD .391DIA. |
| 18 | 3307642 | 1 | CLEVIS-5/16 PLTD SW/A |
| 19 | 3332713 | 1 | SWITCH-DOUBLE SCRUB BROOM |
| 20 | 3334946 | 1 | CABLE-1/8 DIA X 33 LG, SIDE BRM |
| 21 | REFERENCE | 1 | CONSOLE, 9X,10X , BURGUNDY |
| 22 | 3342273 | 1 | SWITCH COVER-BLACK, CLEAR LENS |
| 23 | 3343539 | 2 | CLAMP - P TYPE, 2 DIA |
| 24 | 3400069 | 1 | NUT-HEX 5/16-24 ZP |
| 25 | 3400075 | 1 | NUT-HEX JAM 3/8-24 ZP |
| 26 | 3400087 | 1 | WASHER 3/8 ID .81 OD X .065 THK |
| 27 | 3400088 | 1 | WASHER 5/16 ID .688 OD X .065 THK |
| 28 | 3400089 | 1 | WASHER 1/4 ID .63 OD X .065 THK |
| 29 | 3400102 | 2 | WSR-LOCK 5/16, ZP |
| 30 | 3400125 | 2 | PIN-COTTER 3/8 RUE RING |
| 31 | 3400184 | 2 | PIN-CLEVIS 5/16 x 1-1/8 ZP |
| 32 | 3400227 | 1 | SCREW-HHM 1/4-20 X 1.25 LG ZP |
| 33 | 3400404 | 1 | SCR-SET 1/2-20 X 3.00 BLK OX CP SQUARE H |
| 34 | 3400449 | 1 | NUT-JAM 1/2-20 ZP |
| 35 | 3400751 | 1 | PIN-CLEVIS 1/2 X 4.00 ZP |
| 36 | 12310041 | 1 | WASHER - FLT, 8.4 X 16 X 1.6, STL, ZINC DICH |
| 37 | 3317219P | 1 | DSB HARNESS, AM9D |
| 38 | REFERENCE | 1 | MAIN FRAME AM9D DARK GRAY, LH |

ASSY- ACTUATOR RH 9X (690768)

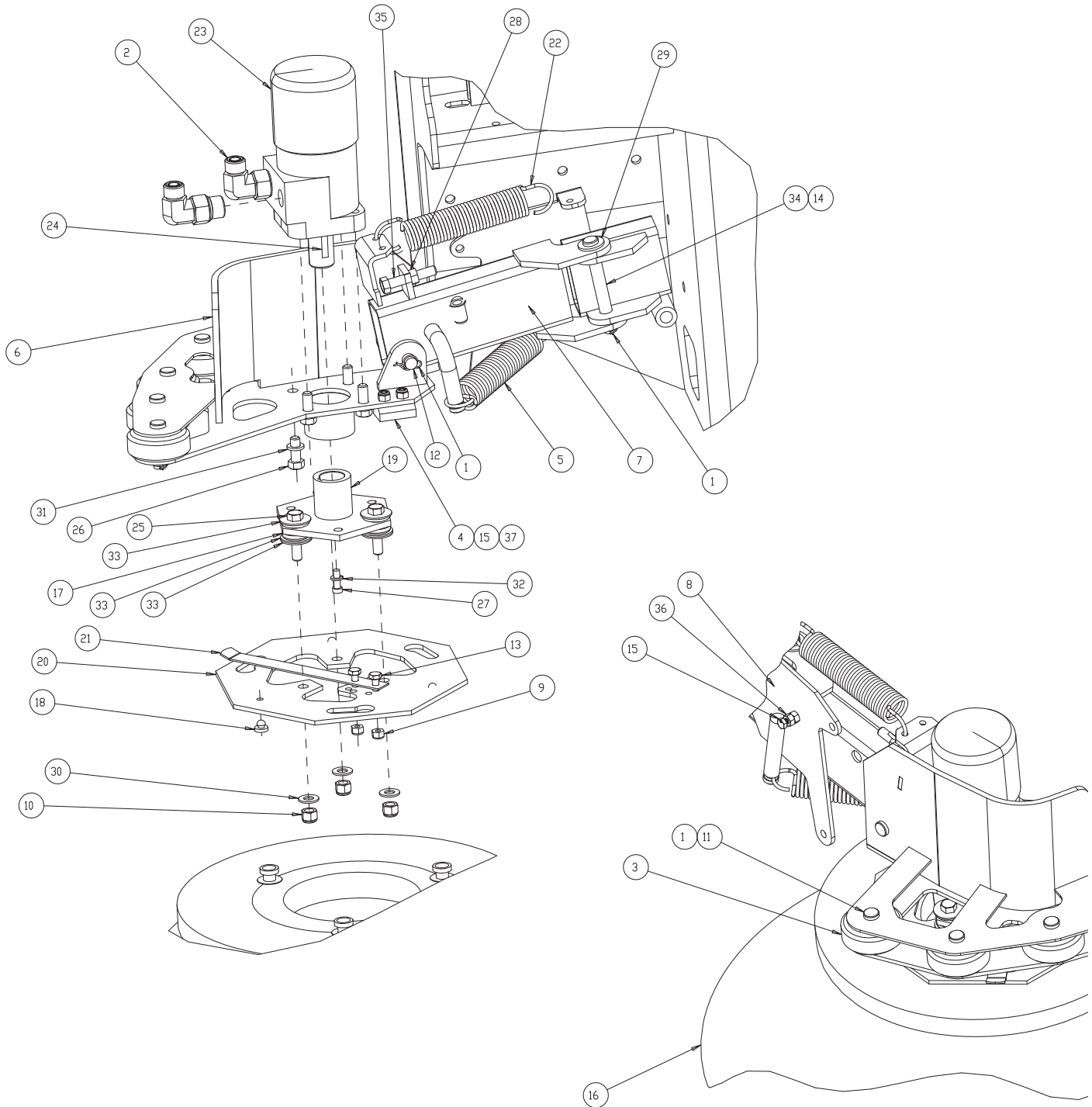


ASSY- ACTUATOR RH 9X (690768) (CONTINUED)



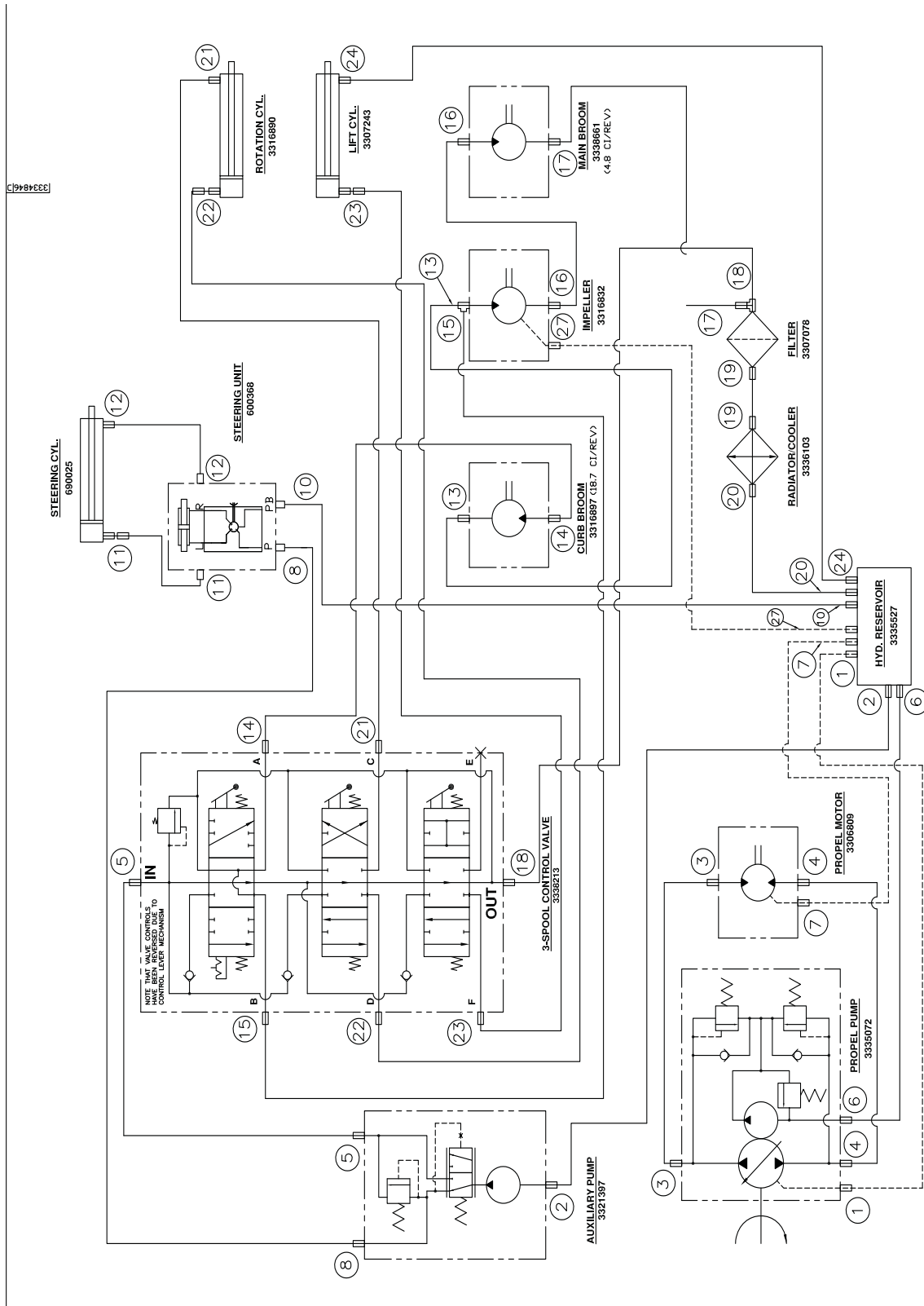
| ASSY - ACTUATOR RH 9X (690768) | | | |
|---------------------------------------|-----------------|--------------|------------------------------------|
| ITEM | PART NO. | REQ'D | DESCRIPTION |
| 1 | 711206 | 3 | BLT-HH 1/4-20 X .87 STL ZINC |
| 2 | 711373 | 5 | NUT-NYLOC 1/4-20 |
| 3 | 711387 | 1 | NUT-NYLOC 1/4-20 1/2 NUT |
| 4 | 711569 | 1 | WASHER-FLAT .390 X .880 X .062 NYL |
| 5 | 713104 | 1 | BUSHING, SLEEVE, 3/8 |
| 6 | 713107 | 1 | SCR-HEX,5/16-18X2.0 GRD 9 ZP |
| 7 | 3300431 | 2 | BUSHING-.499 ID X .594 OD (X.250 |
| 8 | 3300461 | 1 | BALL JOINT |
| 9 | 3301085 | 1 | SPACER-FRONT BUMPER PLTD |
| 10 | 3318884 | 1 | ADAPTER-CURB BRM ACTUATOR |
| 11 | 3318887 | 1 | PIN-CLEVIS 1/4 X 1-1/8 |
| 12 | 3335273 | 2 | SPACER-.32 ID X .499 OD X .31 LG |
| 13 | 3335274 | 4 | SPACER-.28 ID X .625 OD X .26 LG |
| 14 | 3335275 | 1 | PLATE-SUPPORT SB LIFT |
| 15 | 3335372 | 1 | MOUNT - PIVOT SIDE BROOM |
| 16 | 3335373 | 1 | PLATE - PIVOT SIDE BROOM |
| 17 | 3336595 | 1 | ASY- ACTUATOR, SIDE BROOM |
| 18 | 3400087 | 2 | WASHER 3/8 ID .81 OD X .065 THK |
| 19 | 3400088 | 2 | WASHER 5/16 ID .688 OD X .065 THK |
| 20 | 3400089 | 7 | WASHER 1/4 ID .63 OD X .065 THK |
| 21 | 3400173 | 1 | SCREW-HHM 1/4-20 X 1.75 LG ZP |
| 22 | 3400178 | 2 | BEARING-THRUST .531 ID X 1.00 OD |
| 23 | 3400342 | 1 | NUT-HEX 3/8-24 ES ZP |
| 24 | 3400742 | 1 | RUE RING-1/4 HEAVY ZP |
| 25 | 3401098 | 2 | NUT-HEX JAM 5/16-18 ES ZP |
| 26 | 3401440 | 1 | SCREW_BHCS 5/16-18 X 1.25 LG ZP |
| 27 | 3401983 | 2 | SCREW BH 1/4-20 X 1.25 LG |

BROOM ASSEMBLY, DSB LH 9X RIGHT SIDE (690769)



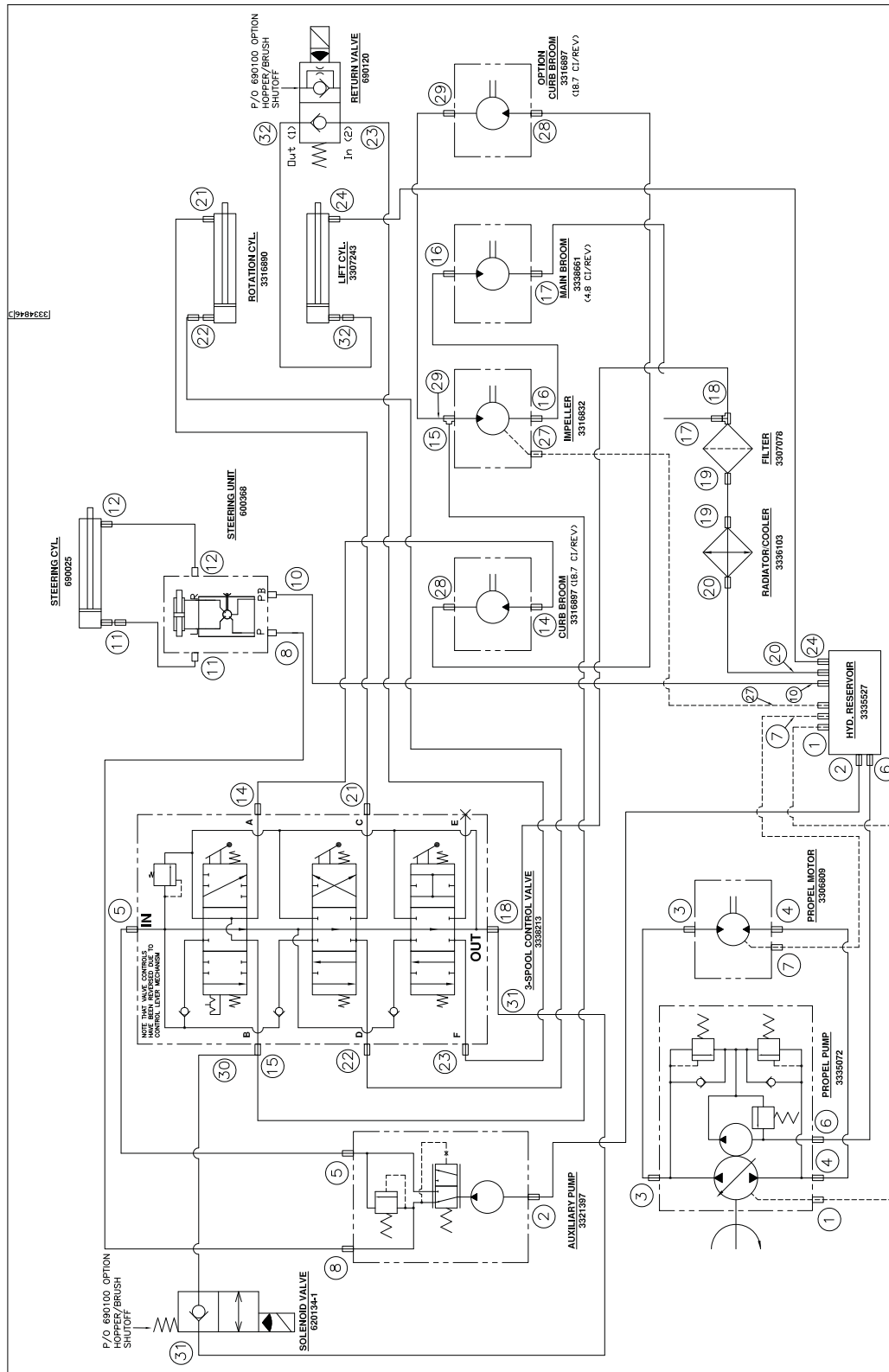
| BROOM ASSEMBLY, DSB LH 9X RIGHT SIDE (690769) | | | |
|--|-----------------|--------------|---|
| ITEM | PART NO. | REQ'D | DESCRIPTION |
| 1 | 600578 | 7 | PIN-COTTER 1/2 RUE RING |
| 2 | 675528 | 2 | FTG-STR THD ELBOW -8 ORFS TO -10 SAE |
| 3 | 690459 | 5 | ROLLER |
| 4 | 690510 | 1 | BUMPER, SIDE BROOM |
| 5 | 690512 | 1 | SPRING, EXT, .135 W 1.25 OD 5.5 L |
| 6 | 690608 | 1 | WELDMENT, RH SB MOTOR MNT |
| 7 | 690610-1 | 1 | ASSEMBLY, RH SIDE BROOM ARM |
| 8 | 690611 | 1 | WELDMENT, RH REAR SM ARM |
| 9 | 711373 | 2 | NUT-NYLOC 1/4-20 |
| 10 | 711380 | 3 | NUT-NYLOC 3/8-16 NUT |
| 11 | 712109 | 5 | CLEVIS PIN, 1/2 x 1-3/4 |
| 12 | 712134 | 1 | CLEVIS PIN, 1/2 x 3.00 |
| 13 | 713002 | 2 | SCR-HH 1/4-20 X .75 ZP 5 |
| 14 | 714002 | 2 | FIBERGLIDE BEARING, .500 ID .250 T |
| 15 | 731006 | 3 | SCR-HH M6-1.00 X 25 ZP CLASS 8.8 |
| 16 | 3300308 | 1 | BROOM-SIDE 24" WHITE NYLON |
| 17 | 3300465 | 3 | MOUNT-ISO IMP MNT |
| 18 | 3300526 | 3 | BUMPER - 1/4 ID X 1/8 THK |
| 19 | 3300875 | 1 | WELD-DR HUB SC BR |
| 20 | 3301262 | 1 | PLT-GIMBLE SCRUB BRUSH PNTD |
| 21 | 3302058 | 1 | BAR-BRUSH RETAINER |
| 22 | 3302599 | 1 | SPRING, EXTENSION - 5.00" |
| 23 | 3316897 | 1 | MOTOR-HYD CURB BROOM |
| 24 | 3330338 | 1 | KEY-SHAFT D-FOSS CB/MB/SC MOTORS (SPARE PART) |
| 25 | 3400027 | 3 | SCREW-HHM 3/8-16 X 1.75 LG ZP |
| 26 | 3400030 | 4 | SCREW-HHM 3/8-16 X 1.0 LG ZP |
| 27 | 3400049 | 1 | SCR=SOC 1/4-20 X .75 ZP |
| 28 | 3400068 | 1 | NUT-HEX 3/8-16 ZP |
| 29 | 3400086 | 2 | WASHER-FLAT 1/2 STANDARD ZP |
| 30 | 3400087 | 3 | WASHER 3/8 ID .81 OD X .065 THK |
| 31 | 3400101 | 4 | WASHER-LOCK 3/8 SPLIT ZP |
| 32 | 3400103 | 1 | WASHER-LOCK 1/4 SPLIT ZP |
| 33 | 3400278 | 9 | WASHER-FENDER 3/8 ZP |
| 34 | 3400751 | 1 | PIN-CLEVIS 1/2 X 4.00 ZP |
| 35 | 3401454 | 1 | BOLT-HEX, TAP 3/8-16 X 2 ZP |
| 36 | 12022042 | 1 | NUT-HEX M6 X 1.0 STL ZD CL8 DIN 934 |
| 37 | 12040044 | 2 | NUT-NYLOC M6 X 1.0 ZP CLASS 6 |
| 38 | REFERENCE | 1 | MAIN FRAME AM9D DARK GRAY, LH |

HYDRAULIC SCHEMATIC AM9D-III



3334846, Sheet 1 of 3, Rev D, 04/2020

HYDRAULIC SCHEMATIC AM9D-III

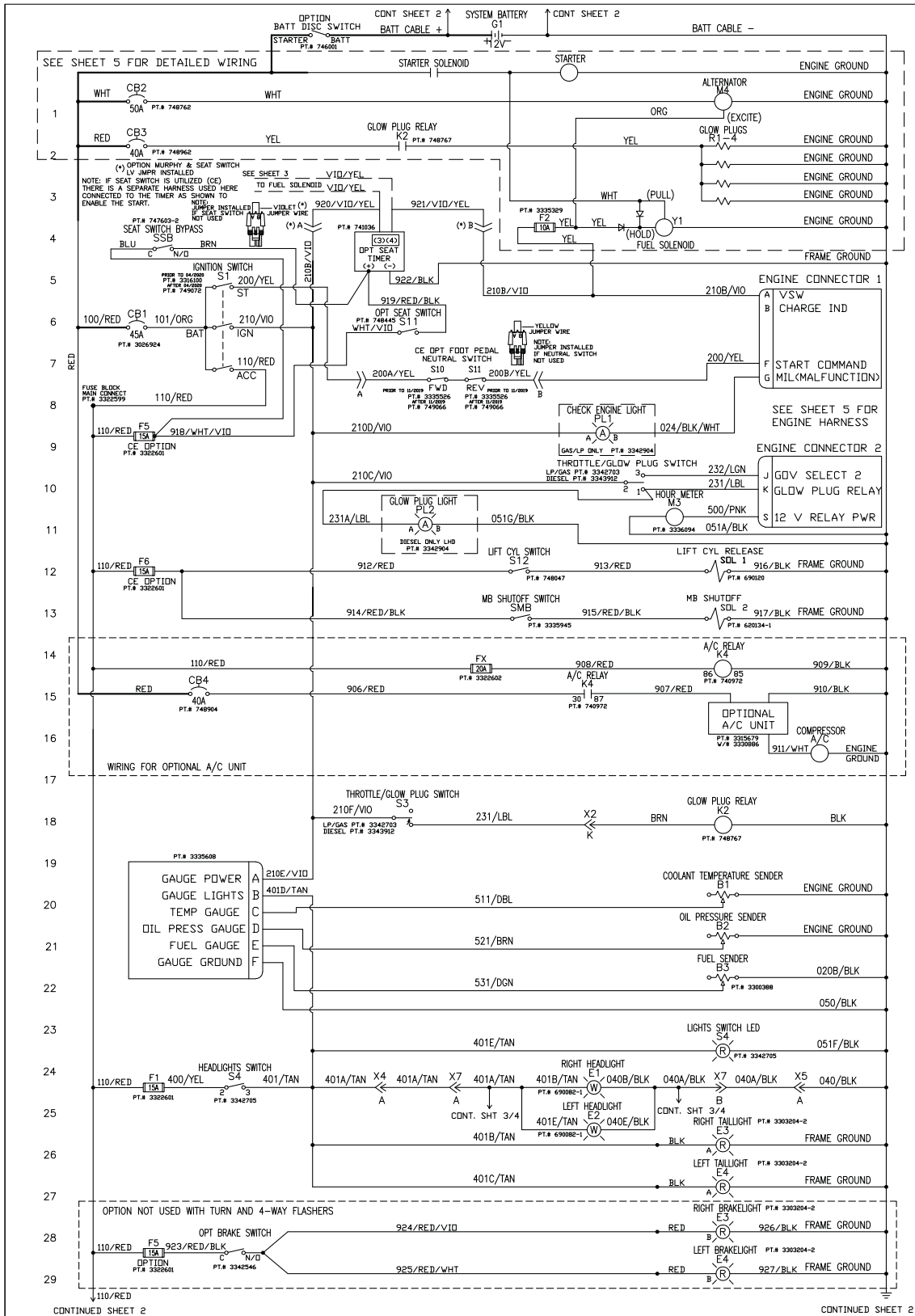


3334846, Sheet 2 of 3, Rev D, 04/2020

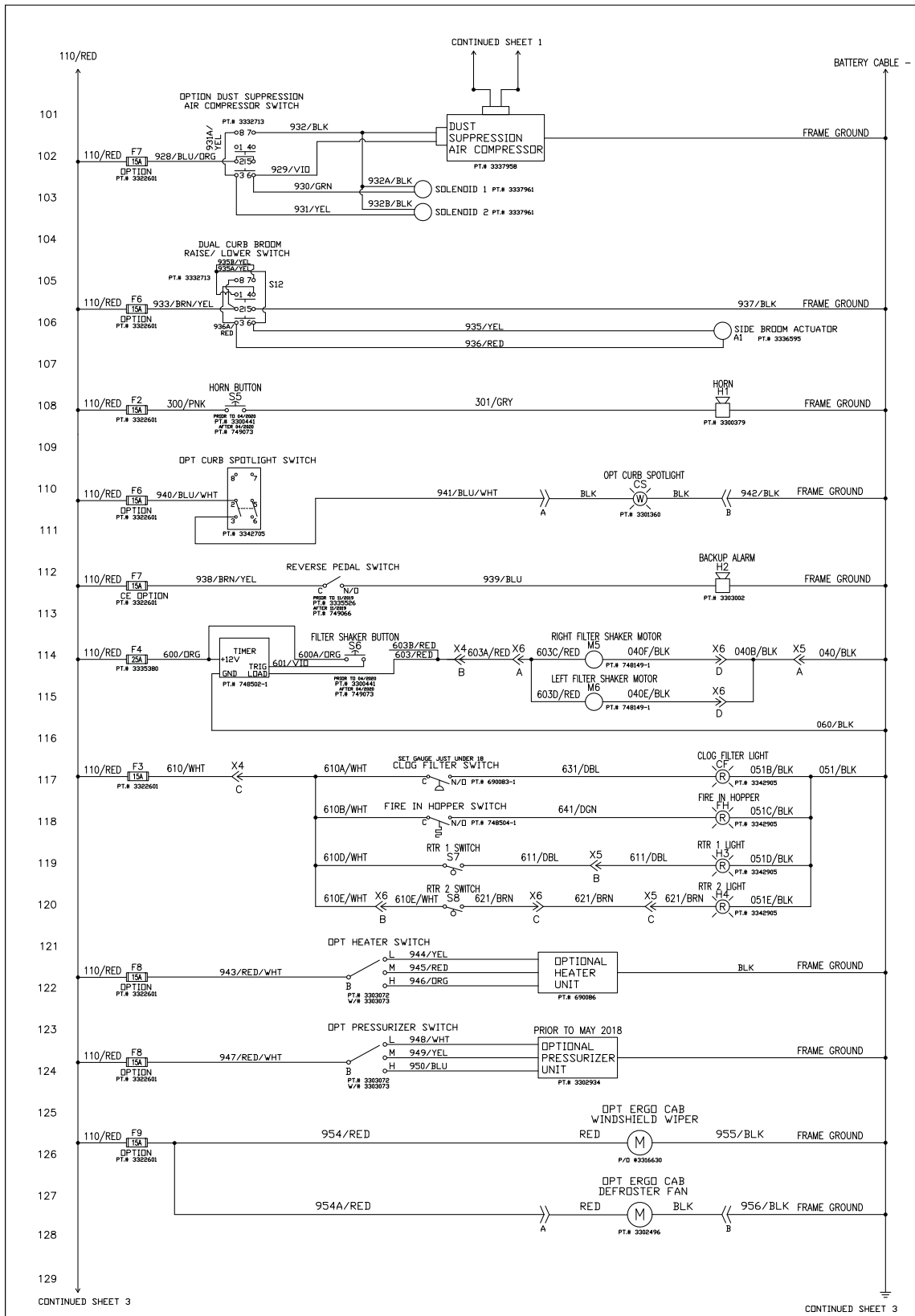
HYDRAULIC SCHEMATIC AM9D-III

| No. | Adapter 1 | hose assy # | Adapter 2 | RESV | HYD PUMP | AUX PUMP | RW/CONT VALVE | PS UNIT | ROT CB UNIT | IMP MTR | MB MTR | FILTER | RAD | ROT CYL | LIFT CYL | SOL VALVE | HOPPER RETURN VALVE | LH CURB BROOM | Comments: |
|-----|-----------------|-------------|-----------------|------|----------|----------|---------------|---------|-------------|---------|--------|--------|-----|---------|----------|-----------|---------------------|---------------|---|
| 1 | 675524 | 675400 | 675527 | 1 | 2 | | | | | | | | | | | | | | Reservoir to Propel pump inlet |
| 2 | 675506 | 675401 | 675505 | 1 | 2 | | | | | | | | | | | | | | Reservoir to Aux pump inlet |
| 3 | 675500 | 675402 | 675501 | 1 | 2 | | | | | | | | | | | | | | Propel pump drivers side to Propel motor port A. |
| 4 | 675501 | 675403 | 675502 | 2 | 1 | | | | | | | | | | | | | | Propel motor port B to Propel pump passenger side |
| 5 | 675528 | 675404 | 675524 | 2 | 1 | 2 | | | | | | | | | | | | | Aux pump to 3-spool control valve port IN. |
| 6 | 675520 | 675405 | 675521 | 2 | 1 | | | | | | | | | | | | | | Propel pump to reservoir |
| 7 | 675508 | 675406 | 675510 | 2 | 1 | | | | | | | | | | | | | | Propel motor to reservoir, case drain |
| 8 | 675512 | 675407 | 675511 | | | 1 | | 2 | | | | | | | | | | | Aux pump to Steering unit port P. |
| 9 | | | | | | | | | | | | | | | | | | | |
| 10 | 675552 | 675409 | 675519 | 2 | | | | 1 | | | | | | | | | | | Steering unit to reservoir |
| 11 | 675552 | 675410 | 675518 | | | | | 1 | 2 | | | | | | | | | | Steering unit L port to port P1 on steering cylinder |
| 12 | 675515 | 675411 | 675518 | | | | | 1 | 2 | | | | | | | | | | Steering unit R port to port P2 on steering cylinder |
| 13 | 675412 | 675412 | 675528 | | | | | | | 1 | 2 | | | | | | | | Inlet tee to curb broom out. |
| 14 | 675524 | 675413 | 675528 | | | | | 2 | | | | | | | | | | | Valve port A to curb motor inlet port A. |
| 15 | 675524 | 675414 | 675525 | | | | | 1 | | 2 | | | | | | | | | Control valve outlet to Impeller inlet tee. See hose 13 for details |
| 16 | 675523 | 675415 | 675523 | | | | | | | 1 | 2 | | | | | | | | Valve port A to curb motor inlet port A. |
| 17 | 675523 | 675416 | 675529 / 675526 | | | | | | | 1 | 2 | | | | | | | | From main broom outlet Port B to filter inlet |
| 18 | 675524 | 675417 | | | | | | 1 | | | | | | | | | | | From I port on control valve to filter inlet tee. See hose 17 |
| 19 | 675537 | 675418 | 675530 | | | | | | | | | 1 | 2 | | | | | | From filter outlet to Cooler Inlet (top of cooler pack) |
| 20 | 675503 | 675419 | 675503 | 2 | | | | | | | | | 1 | | | | | | From cooler outlet (bottom of cooler) to reservoir |
| 21 | 675513 | 675420 | 675507 | | | | | | | | | | | 2 | | | | | From control valve port C to rod end of rotate cylinder |
| 22 | 675507 / 675547 | 675421 | 675513 | | | | | 1 | | | | | | 1 | | | | | From piston end of rotate cylinder to control valve port D |
| 23 | 675518 / 675550 | 675422 | 675513 | | | | | 2 | | | | | | | | | | | From piston end of lift cylinder to control valve port F |
| 24 | 675518 | 675423 | 675510 | 2 | | | | | | | | | | 1 | | | | | From rod end of lift cylinder to reservoir |
| 27 | 675508 | 675426 | 675510 | 2 | | | | | | 1 | | | | | | | | | From impeller case drain to reservoir. |
| 28 | | 675427 | 675528 | | | | | | 2 | | | | | | | | | 1 | LH Curb Broom to RH Curb Broom |
| 29 | | 675428 | 675528 | | | | | | | 1 | | | | | | | | 1 | Impeller to RH Curb Broom |
| 30 | 675525 | 675414 | 675524 | | | | | 1 | | | | | | | | | | | Control Valve to Solenoid Valve |
| 31 | 675525 | 675414 | 675524 | | | | | 1 | | | | | | | | | | | Control Valve to Solenoid Valve |
| 32 | 675517 | 675422 | 675518 | | | | | | | | | | | 1 | | | | | Lift Cylinder to Hopper Return Valve |

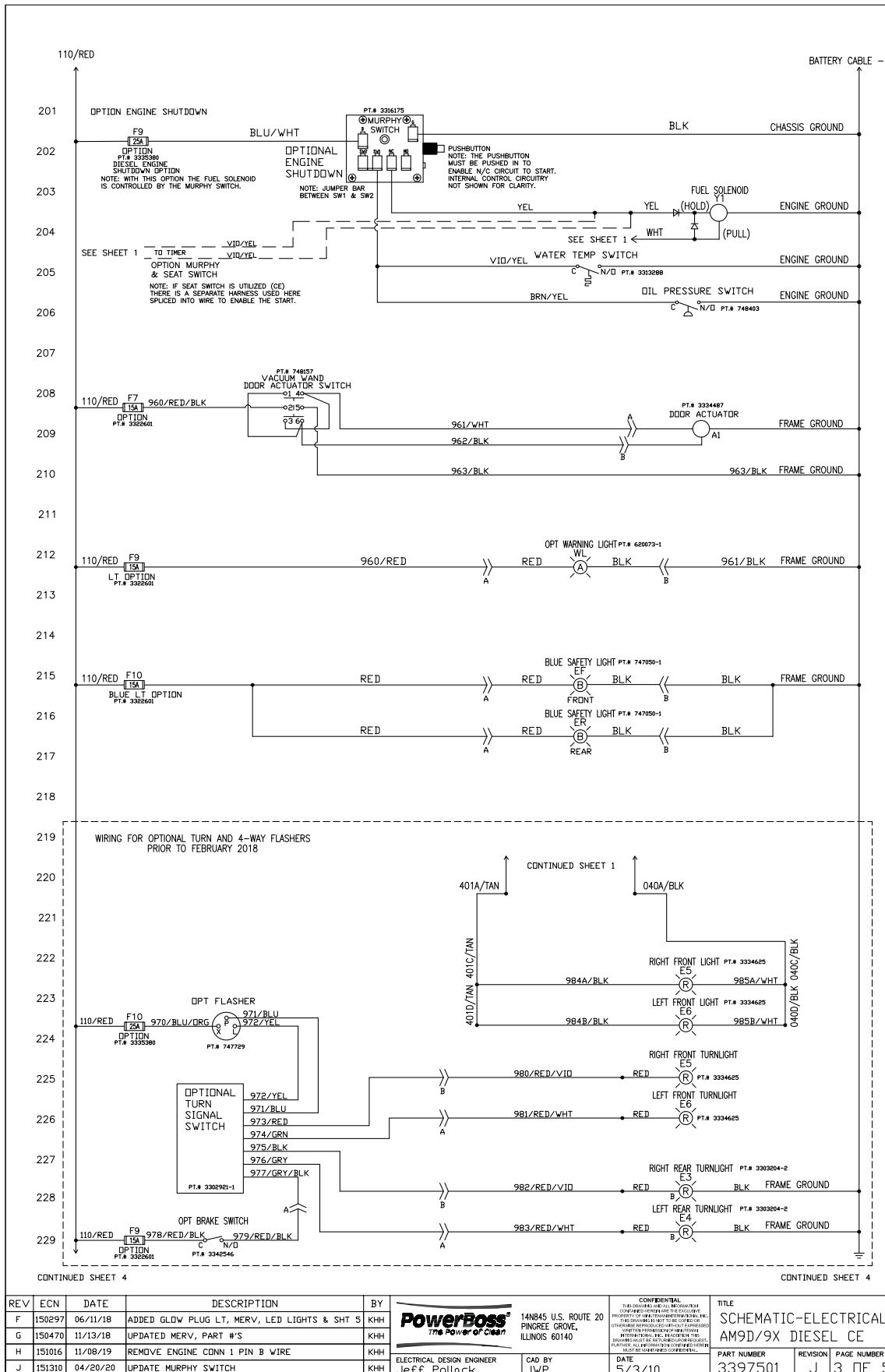
ELECTRICAL SCHEMATIC WITH KUBOTA V1505

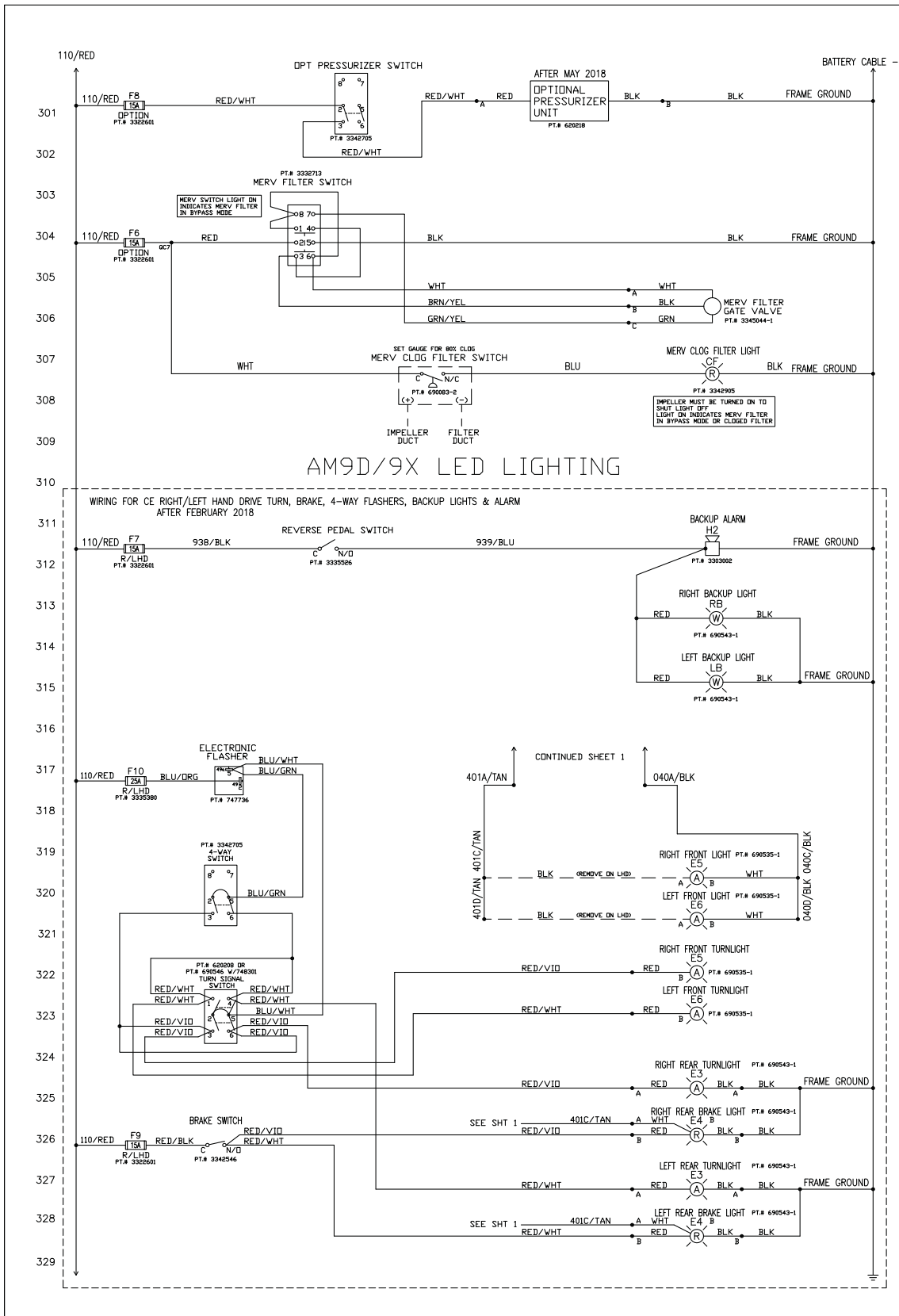


| REV | ECN | DATE | DESCRIPTION | BY | PowerBoss The Power of Clean | 14845 U.S. ROUTE 20 PINECREST GROVE, ILLINOIS 60140 | CONFIDENTIAL THIS DOCUMENT AND ALL INFORMATION CONTAINED HEREIN ARE THE PROPERTY OF POWERBOSS. IT IS TO BE USED ONLY FOR THE PURPOSES SPECIFIED IN THE ORDER. IT IS NOT TO BE REPRODUCED, COPIED, OR TRANSMITTED IN ANY FORM OR BY ANY MEANS, ELECTRONIC OR MECHANICAL, INCLUDING PHOTOCOPYING, RECORDING, OR BY ANY INFORMATION STORAGE AND RETRIEVAL SYSTEM. WITHOUT THE WRITTEN PERMISSION OF POWERBOSS, ALL INFORMATION CONTAINED HEREIN IS TO BE KEPT CONFIDENTIAL. | TITLE SCHEMATIC-ELECTRICAL AM9D/9X DIESEL CE | PART NUMBER 3397501 | REVISION J | PAGE NUMBER 1 OF 5 |
|-----|--------|----------|--|-----|---------------------------------|---|---|--|------------------------|---------------|-----------------------|
| F | 150297 | 06/11/18 | ADDED GLOW PLUG LT, MERV, LED LIGHTS & SHT 5 | KHH | | | | | | | |
| G | 150470 | 11/13/18 | UPDATED MERV, PART #S | KHH | | | | | | | |
| H | 151016 | 11/08/19 | REMOVE ENGINE CONN 1 PIN B WIRE | KHH | | | | | | | |
| J | 151310 | 04/20/20 | UPDATE MURPHY SWITCH | KHH | | | | | | | |



| REV | ECN | DATE | DESCRIPTION | BY | 148845 U.S. ROUTE 20 PINGREE GROVE, ILLINOIS 60140 | CONFIDENTIAL THIS DRAWING AND ALL INFORMATION CONTAINED HEREIN ARE THE PROPERTY OF MINUTEMAN INTERNATIONAL, INC. AND ARE UNCLASSIFIED EXCEPT WHERE SHOWN OTHERWISE. NO PART OF THIS DRAWING IS TO BE REPRODUCED, STORED IN A RETRIEVING SYSTEM, OR TRANSMITTED IN ANY FORM OR BY ANY MEANS, ELECTRONIC, MECHANICAL, PHOTOCOPYING, RECORDING, OR BY ANY INFORMATION STORAGE AND RETRIEVAL SYSTEM, WITHOUT THE WRITTEN PERMISSION OF MINUTEMAN INTERNATIONAL, INC. IN ACCORDANCE WITH THE PROHIBITION ON DISSEMINATION OF UNCLASSIFIED INFORMATION CONTAINED HEREIN. | TITLE SCHEMATIC-ELECTRICAL AM9D/9X DIESEL CE | PART NUMBER 33379501 | REVISION J 2 | PAGE NUMBER 5 |
|-----|--------|----------|--|-----|--|---|--|-------------------------|-----------------|------------------|
| F | 150297 | 06/11/18 | ADDED GLOW PLUG LT, MERV, LED LIGHTS & SHT 5 | KHH | | ELECTRICAL DESIGN ENGINEER Jeff Pollack | CAD BY JWP | DATE 5/3/10 | REVISION J 2 | PAGE NUMBER 5 |
| G | 150470 | 11/13/18 | UPDATED MERV, PART #'S | KHH | | | | | | |
| H | 151016 | 11/08/19 | REMOVE ENGINE CONN 1 PIN B WIRE | KHH | | | | | | |
| J | 151310 | 04/20/20 | UPDATE MURPHY SWITCH | KHH | | | | | | |
| | | | | | | | | | | |





| REV | ECN | DATE | DESCRIPTION | BY | PowerBoss® The Power of Clean | | CONFIDENTIAL | TITLE |
|-----|--------|----------|--|-----|----------------------------------|----------------------|---|----------------------|
| F | 150297 | 06/11/18 | ADDED GLOW PLUG LT, MERV, LED LIGHTS & SHT S | KHH | 14N845 U.S. ROUTE 20 | 14N845 U.S. ROUTE 20 | THE INFORMATION CONTAINED HEREIN IS UNCLASSIFIED EXCEPT WHERE SHOWN OTHERWISE. THIS DOCUMENT IS NOT TO BE DISTRIBUTED OUTSIDE THE COMPANY OR TO ANY OTHER ENTITY WITHOUT THE WRITTEN PERMISSION OF MINUTEMAN INTERNATIONAL, INC. ALL RIGHTS ARE RESERVED. THIS DOCUMENT IS UNCLASSIFIED EXCEPT WHERE SHOWN OTHERWISE. | SCHEMATIC-ELECTRICAL |
| G | 150470 | 11/13/18 | UPDATED MERV, PART #'S | KHH | PINGREE GROVE, | PINGREE GROVE, | | AM9D/9X DIESEL CE |
| H | 151016 | 11/08/19 | REMOVE ENGINE CONN 1 PIN B WIRE | KHH | ILLINOIS 60140 | ILLINOIS 60140 | | PART NUMBER |
| J | 151310 | 04/20/20 | UPDATE MURPHY SWITCH | KHH | ELECTRICAL DESIGN ENGINEER | CAD BY | DATE | REVISION |
| | | | | | Jeff Pollack | JWP | 5/3/10 | 4 DF 5 |

WARRANTY

Revision M
Effective February 2020
PowerBoss Made Simple Industrial Limited Warranty

Minuteman International owner of PowerBoss warrants to the original purchaser/user that the product is free from defects in workmanship and materials under normal use. PowerBoss will, at its option, repair or replace without charge, parts that fail under normal use and service when operated and maintained in accordance with the applicable operation and instruction manuals. All warranty claims must be submitted through and approved by factory authorized repair stations.

This warranty does not apply to normal wear, or to items whose life is dependent on their use and care. Parts not manufactured by PowerBoss are covered by their respective manufacturers. Please contact Minuteman International for procedures in warranty claims against these manufacturers.

Special warning to purchaser -- Use of replacement parts not manufactured by PowerBoss or its designated licensees, will void all warranties expressed or implied. A potential health hazard exists without original equipment replacement.

All warranted items become the sole property of Minuteman International or PowerBoss or its original manufacturer, whichever the case may be.

PowerBoss disclaims any implied warranty, including the warranty of merchantability and the warranty of fitness for a particular purpose. PowerBoss assumes no responsibility for any special, incidental or consequential damages.

This limited warranty is applicable only in the U.S.A. and Canada, and is extended only to the original user/purchaser of this product. Customers outside the U.S.A. and Canada should contact their local distributor for export warranty policies. PowerBoss is not responsible for costs or repairs performed by persons other than those specifically authorized by PowerBoss. This warranty does not apply to damage from transportation, alterations by unauthorized persons, misuse or abuse of the equipment, use of non-compatible chemicals, or damage to property, or loss of income due to malfunctions of the product. If a difficulty develops with this machine, you should contact the dealer from whom it was purchased.

This warranty gives you specific legal rights, and you may have other rights, which vary from state to state. Some states do not allow the exclusion or limitation of special, incidental or consequential damages, or limitations on how long an implied warranty lasts, so the above exclusions and limitations may not apply to you.

Note: Reimbursement for rental machines will require prior review and authorization by a PowerBoss representative or warranty administrator.

| | Travel * | Labor | Parts | Engine | Extended Warranty | Costs |
|-------------------------------------|----------|-----------|-----------------------|-----------------------------|--|-------|
| Walk Behind | | | | | | **** |
| Battery/IC Sweepers | 90 Days | 36 months | 36 months | Through engine manufacturer | N/A | - |
| Battery Scrubbers | 90 Days | 36 months | 60 months | N/A | N/A | - |
| Riders | | | | | | |
| Battery Scrubbers | 90 Days | 36 months | 36 months | N/A | Additional 12 months parts and labor (or 1000 Hours) | 5% |
| IC Sweeper/Scrubbers (Nautilus, 82) | 180 Days | 24 months | 36 months or 3000 hr. | 60 months or 3000 hrs** | Additional 12 months parts and labor (or 1000 Hours) | 5% |
| IC Sweepers 6X, 9X, 10X, Atlas | 90 Days | 12 months | 48 months or 3000 hr. | 60 months or 3000 hrs** | Additional 12 months parts and labor (or 1000 Hours) | 5% |
| Exceptions | | | | | | |
| Apex Series Sweeper | 90 Days | 36 months | 36 months or 3000 hr | Through engine manufacturer | Additional 12 months parts and labor (or 1000 Hours) | 5% |

Tank Bladders Eight years/ no additional labor
Polyethylene plastic tanks Ten years/ no additional labor
Batteries 0-3 months full replacement, 4-12 prorated credit
Chargers One-year replacement
Aftermarket Replacement parts Ninety days from date of purchase

***Two-Hour Cap Per Service Call**

****Through Engine Manufacturer. See Section 3 of Warranty Manual for Engine Warranty Exceptions**

****All above labor and travel reimbursed at 65% or 75% of the published shop rate.**

NOTES

PowerBoss[®]
The Power of Clean

“The Power of Clean”

**PowerBoss® Is a Full Line Manufacturer of Sweepers and Scrubbers,
for Industrial Facilities.**

PowerBoss®, Minuteman International, Inc. 14N845 U.S. Route 20 Pingree Grove, Illinois 60140
Phone: 800-323-9420 www.PowerBoss.com email: tech@powerboss.com

A Member of the Hako Group

AM9D-III Sweeper # 988750LHZH Rev. G 12/20

© 2014-2015 Minuteman International, Inc.